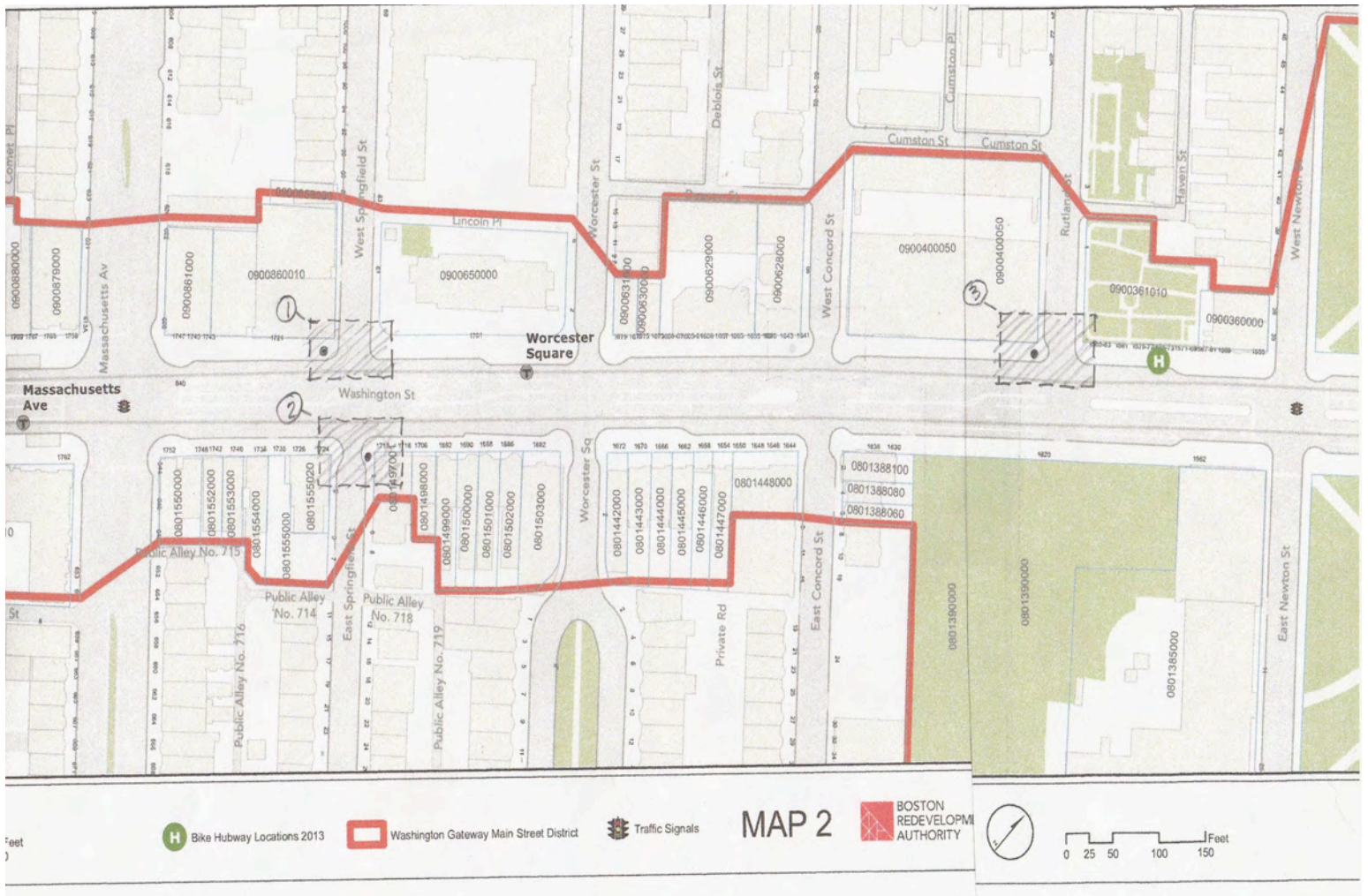




WASHINGTON STREET ARTISTIC BIKE RACKS PROJECT

**A Project by Washington Gateway Main Street
with Artists for Humanity & Boston Transportation Department**

May 2018



Location Plan for 3 Proposed Artistic Bike Racks

WASHINGTON STREET ARTISTIC BIKE RACKS PROJECT

Submitted by Washington Gateway Main Street

1 May 2018

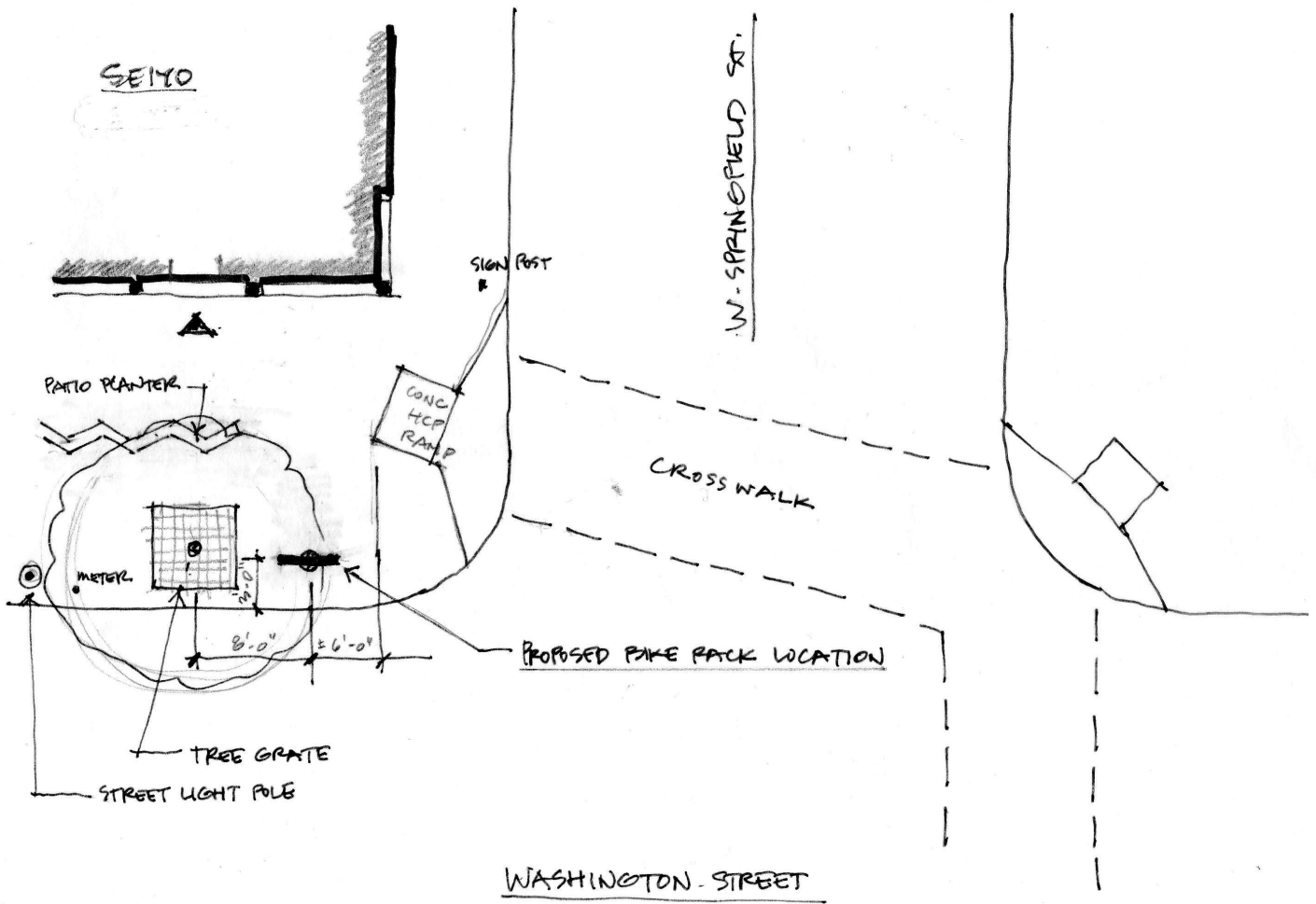


Location 1: 1721 Washington Street & West Springfield Street

WASHINGTON STREET ARTISTIC BIKE RACKS PROJECT

Submitted by Washington Gateway Main Street

1 May 2018



Location 1 Site Plan

WASHINGTON STREET ARTISTIC BIKE RACKS PROJECT

Submitted by Washington Gateway Main Street

1 May 2018

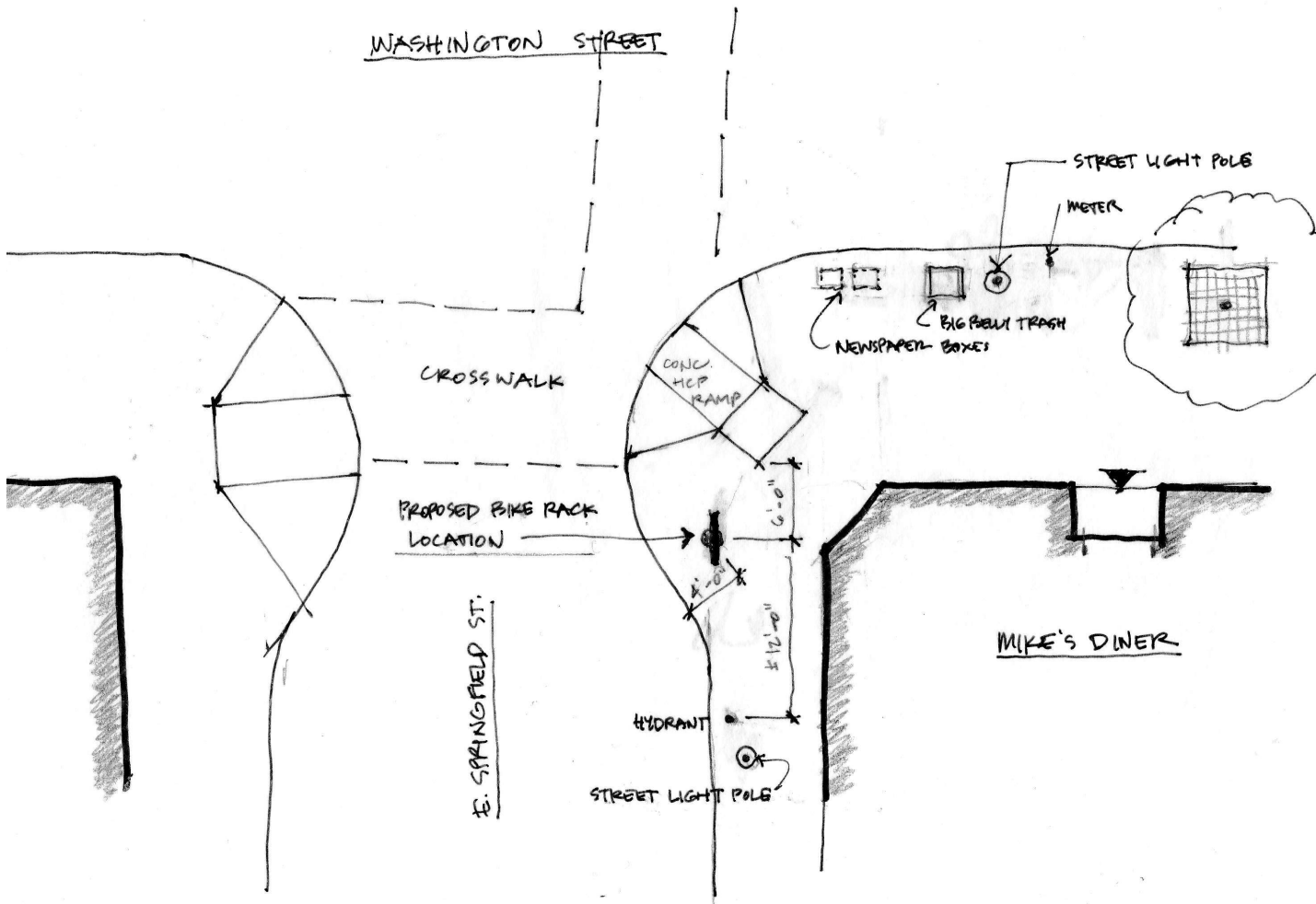


Location 2: 1714 Washington Street & East Springfield Street

WASHINGTON STREET ARTISTIC BIKE RACKS PROJECT

Submitted by Washington Gateway Main Street

1 May 2018



Location 2 Site Plan

WASHINGTON STREET ARTISTIC BIKE RACKS PROJECT

Submitted by Washington Gateway Main Street

1 May 2018

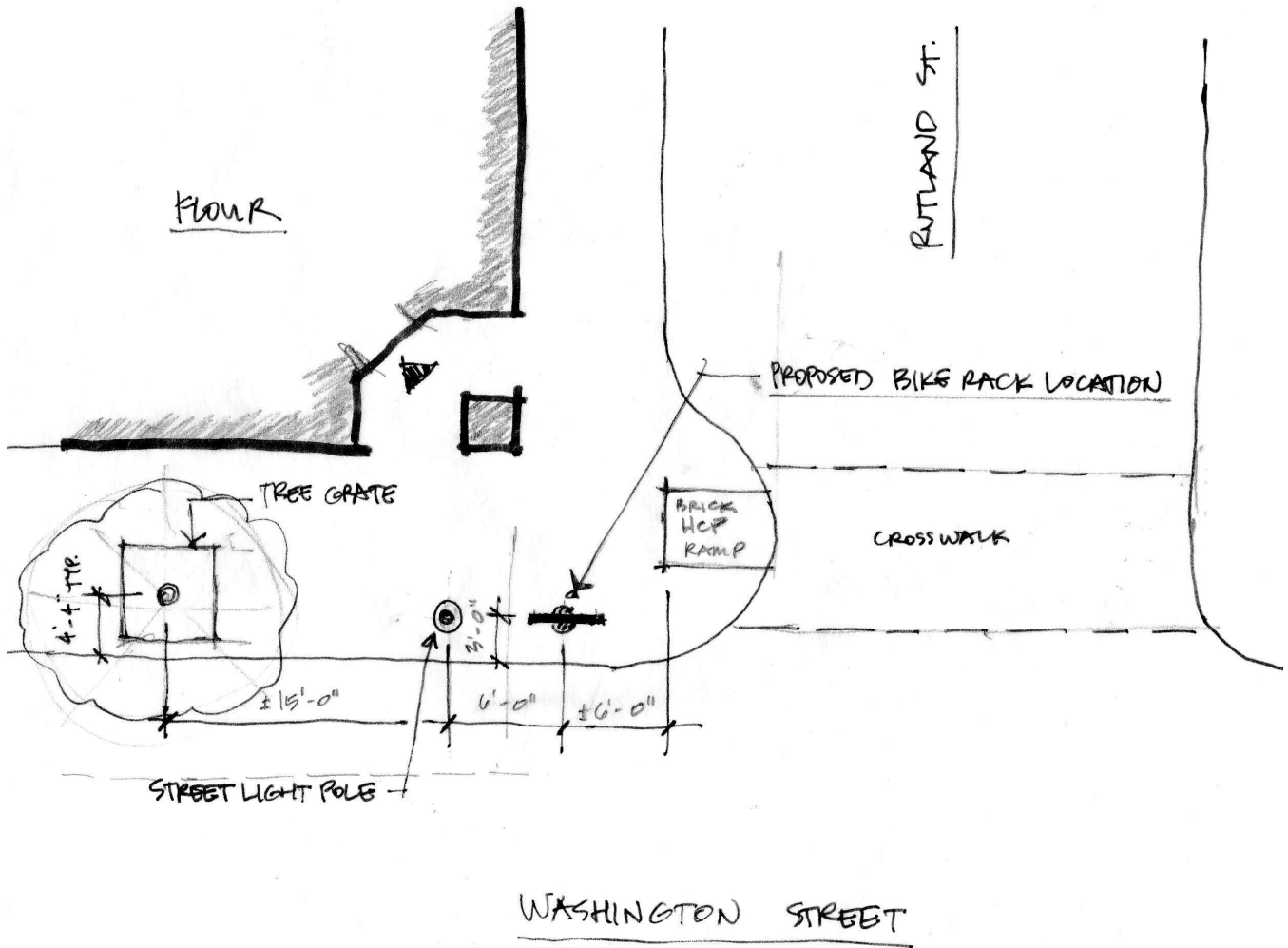


Location 3: 1595 Washington Street & Rutland Street

WASHINGTON STREET ARTISTIC BIKE RACKS PROJECT

Submitted by Washington Gateway Main Street

1 May 2018

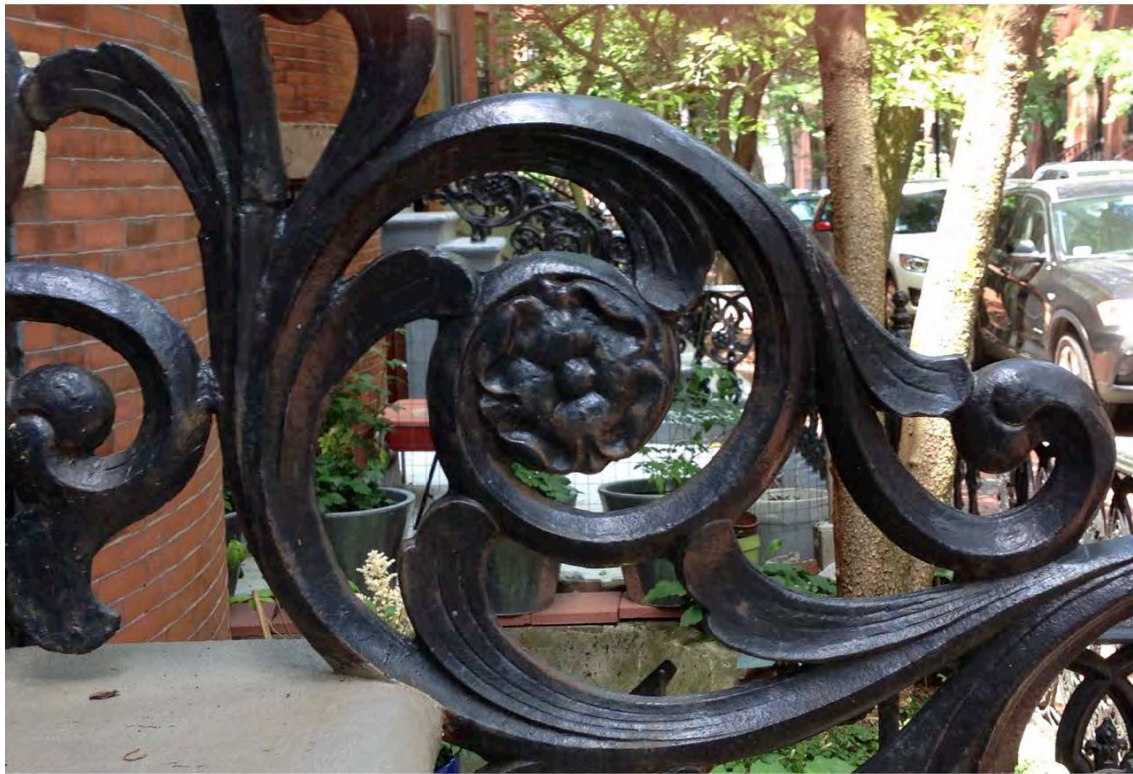


Location 3 Site Plan

WASHINGTON STREET ARTISTIC BIKE RACKS PROJECT

Submitted by Washington Gateway Main Street

1 May 2018

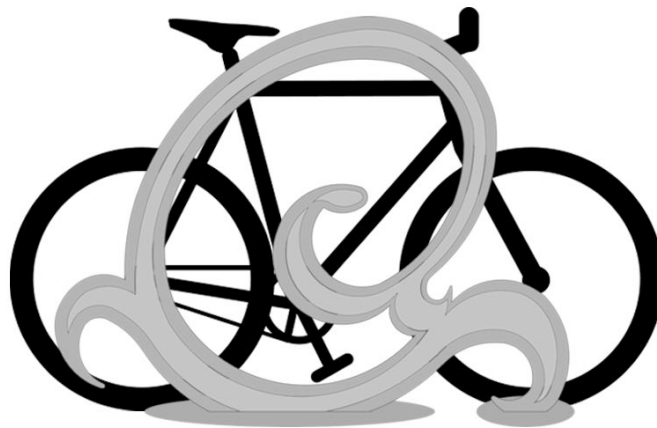


Iconic South End Ornamental Cast Iron Railing

WASHINGTON STREET ARTISTIC BIKE RACKS PROJECT

Submitted by Washington Gateway Main Street

1 May 2018



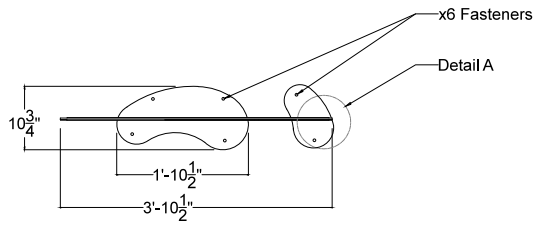
**Translation of Cast Iron Railing Concept to Artistic Bike Rack
by Artists for Humanity**

WASHINGTON STREET ARTISTIC BIKE RACKS PROJECT

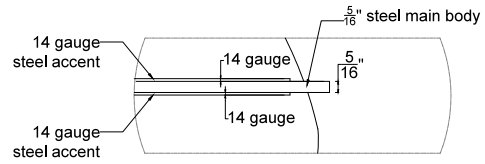
Submitted by Washington Gateway Main Street

1 May 2018

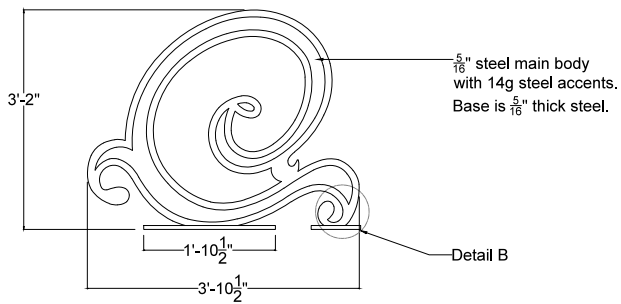
Washington Street
Filigree Bike Rack
11/17/2016



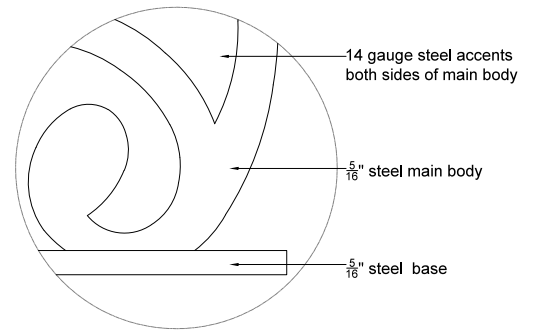
Plan View



Detail A



Elevation View



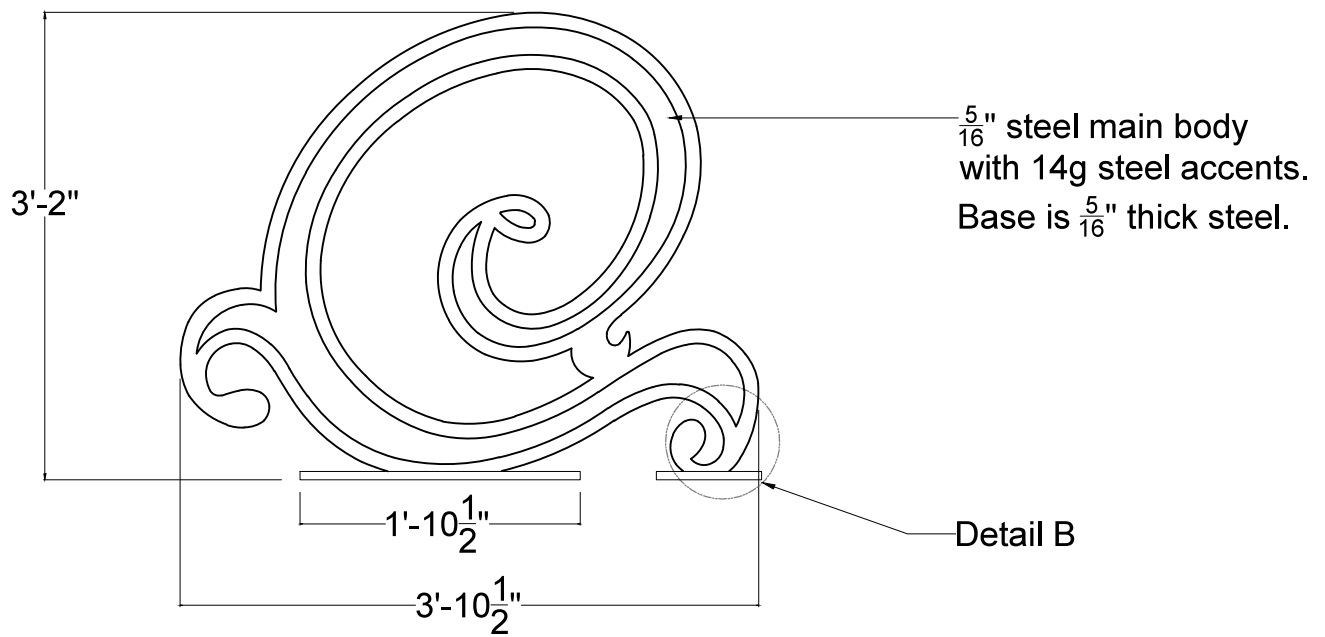
Detail B

Final Bike Rack Design Drawing

WASHINGTON STREET ARTISTIC BIKE RACKS PROJECT

Submitted by Washington Gateway Main Street

1 May 2018



Elevation View

WASHINGTON STREET ARTISTIC BIKE RACKS PROJECT

Submitted by Washington Gateway Main Street

1 May 2018



Material Sample: Brushed Stainless Steel

WASHINGTON STREET ARTISTIC BIKE RACKS PROJECT

Submitted by Washington Gateway Main Street

1 May 2018



BOSTON
TRANSPORTATION
DEPARTMENT

ONE CITY HALL SQUARE • ROOM 721
BOSTON, MASSACHUSETTS 02201
617-635-4680 • FAX 617-635-4295

South End Landmark District Commission
c/o Landmarks Commission
1 City Hall Sq, Room 709
Boston, MA 02201

Commissioners:

Please accept this letter of support for the custom bike racks proposed by Washington Gateway Main Street (WGMS).

Locations

WGMS approached BTD early in their planning process to understand our placement guidelines and processes for bike rack installation. I have visited the proposed locations with WGMS at least twice and have reviewed their site plans for our compliance with our guidelines. The proposed locations are within the "furnishing zone" and an accessible pedestrian path is well-maintained

Design

The proposed racks are stainless steel, a durable material well-suited for outdoor use. While City-installed racks are generally powder-coated black, we have found that this treatment increases maintenance needs when the paint is chipped and the underlying metal begins to rust. While stainless steel can be painted, the potential for chipping could mean these new racks may begin to look a bit ragged. Additionally, the proposed design provides two points of contact for a parked bike, which will help minimize bicycles falling over and becoming a tripping hazard.

Installation and Maintenance

Thanks to WGMS early outreach, we have set aside money within our annual bike rack budget to install these racks through our City contractor. We will remain responsible for ensuring they are firmly fastened to the ground. If the racks themselves are damaged (bent, defaced, etc.), BTD will not be responsible for fixing or replacing them.

Sincerely,

Stefanie Seskin
Active Transportation Director, Boston Transportation Department

MARTIN J. WALSH, Mayor

April 18, 2018


To Whom It May Concern:

I support Washington Gateway Main Street's proposal to place an artistic bike rack at the corner of Washington Street and Rutland Street, where my restaurant and wine shop is located at 1721 Washington Street. I have reviewed the design and exact location of the bike rack and both work well for our store.

This will be a great addition to the area and a benefit to my customers who ride bikes in the neighborhood. We are excited to have this functional piece of art in front of our business and the need for a bike rack on Washington Street in the South End.

Thank you very much,

Steve Yung, Seiyo Sushi and Wine Shop

A handwritten signature in black ink, appearing to read 'Steve Yung', with a stylized flourish at the end.

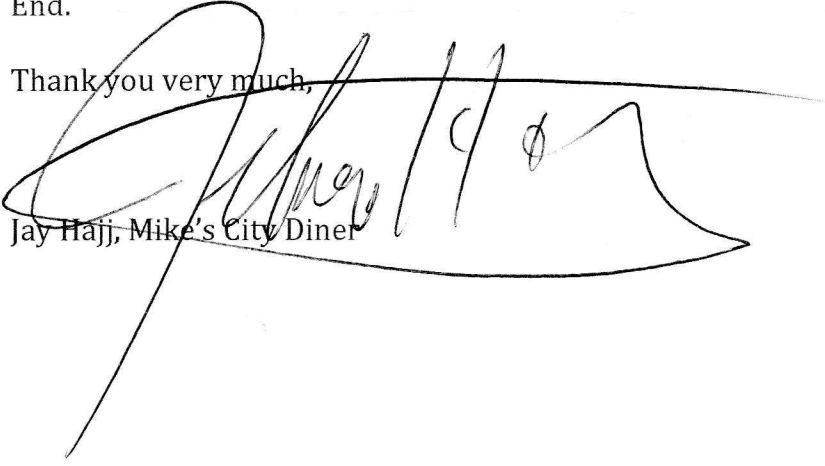
April 18, 2018

To Whom It May Concern:

I support Washington Gateway Main Street's proposal to place an artistic bike rack at the corner of Washington Street and Rutland Street, where my restaurant, Mike's City Diner is located at 1714 Washington Street. I have reviewed the design and exact location of the bike rack and both work well for our store.

This will be a great addition to the area and a benefit to my customers who ride bikes in the neighborhood. We are excited to have this functional piece of art in front of our business and the need for a bike rack on Washington Street in the South End.

Thank you very much,


Jay Hajj, Mike's City Diner

From: Jake Bruneau-Richardson jake@flourbakery.com 
Subject: Signed Letter
Date: April 18, 2018 at 1:51 PM
To: Randi Lathrop randilathrop@comcast.net
Cc: George Mallett gmallett@afhboston.org, Kristin Phelan kp@kristinphelan.com, Tom Parks twparks1@gmail.com



Hello,

I have attached the requested signed letter on behalf of Joanne Chang. Please let me know if you need anything else!

Thank you,



Jake Bruneau-Richardson
Catering and Events Manager, Flour Bakery + Cafe
617.208.8081 | jake@flourbakery.com | www.flourbakery.com



April 18, 2018

To Whom It May Concern:

I support Washington Gateway Main Street's proposal to place an artistic bike rack at the corner of Washington Street and Rutland Street, where my bakery, Flour Bakery is located at 1595 Washington Street. I have reviewed the design and exact location of the bike rack and both work well for our store.

This will be a great addition to the area and a benefit to my customers who ride bikes in the neighborhood. We are excited to have this functional piece of art in front of our business and the need for a bike rack on Washington Street in the South End. I am also a bike rider myself and are excited to see an additional bike rack on our block.

Thank you very much,

Joanne Chang, Owner of Flour Bakery