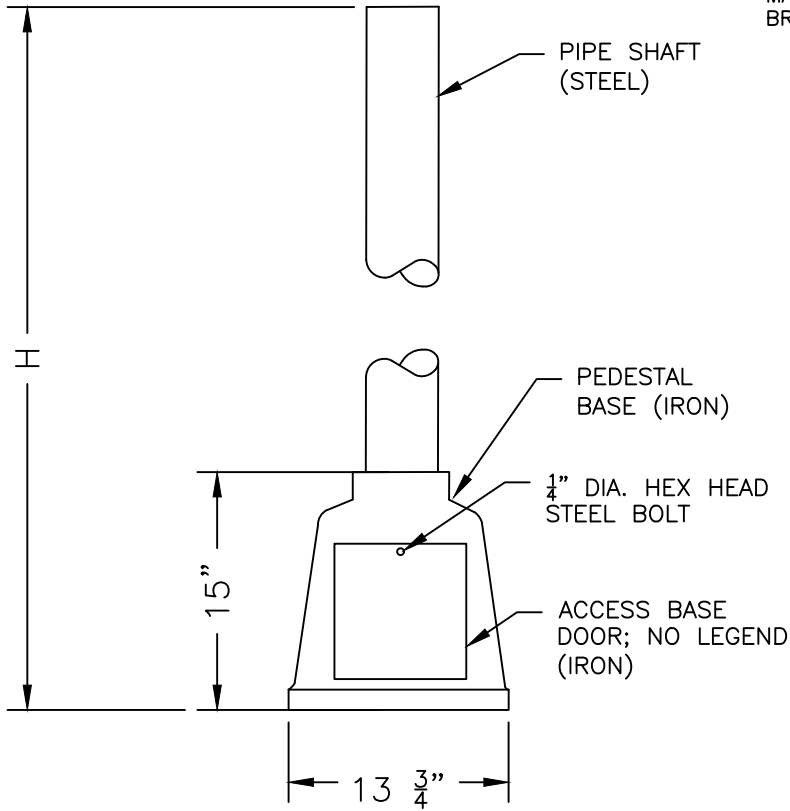


4" STANDARD PIPE SHAFT. BOTTOM END SHALL BE THREADED OUTSIDE, 4" STANDARD PIPE THREAD. SHAFT SHALL BE PAINTED INSIDE AND OUTSIDE IN ACCORDANCE WITH SECTION 800 SUBSECTION 815.61 OF THE COMMONWEALTH OF MASSACHUSETTS STANDARD SPECIFICATION FOR HIGHWAY AND BRIDGES.

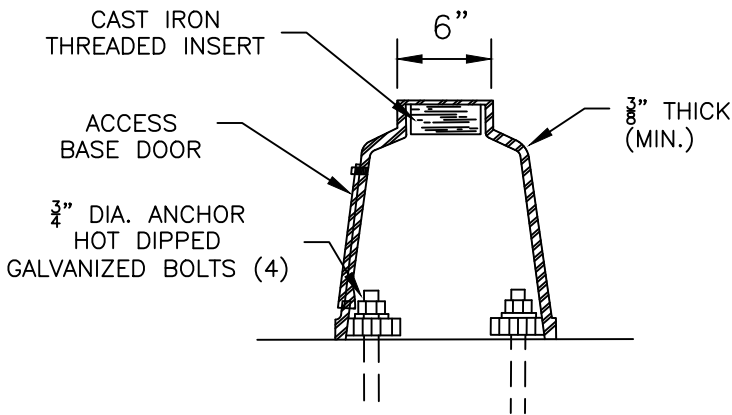
TYPE	POST HT.	H
3A	8'-0"	8'-0"
3B	9'-0"	9'-0"
3C	10'-0"	10'-0"
3D	12'-0"	12'-0"
3E	12'-6"	12'-6"
3P	5'-0"	5'-0"

NOTES:

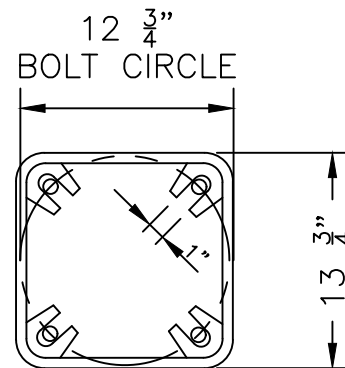
1. THE BASE AND ACCESS DOOR SHALL BE FABRICATED IN IRON MATERIAL AND PAINTED FACTORY POWDER COATED BLACK.
2. THE SURFACES SHALL BE PAINTED IN ACCORDANCE WITH SECTION 800 SUBSECTION 815.61 OF THE COMMONWEALTH OF MASSACHUSETTS STANDARD SPECIFICATION FOR HIGHWAY AND BRIDGES.
3. THE BASE SHALL CONTAIN A INTERNAL GROUNDING LUG.
4. ALL WELDS SHALL BE CONTINUOUS AND OF STANDARD PROPORTIONS.
5. ALL EXTERIOR WELDS SHALL BE GROUND SMOOTH AFTER FABRICATION.
6. ALL EXTERIOR JOINTS SHALL BE WATERTIGHT.
7. THE BASE AND POST SHALL ONLY BE USED AT A LOCATION WHERE ALL POSTS WILL UTILIZE THIS STANDARD UNLESS OTHERWISE DIRECTED BY THE PLANS, SPECIFICATIONS OR BTD ENGINEER.



FRONT VIEW



SECTION VIEW



BOTTOM VIEW

PEDESTAL BASE AND TRAFFIC SIGNAL POST



	DRAWN BY: W. ALEMAN	DETAIL NO. A17
DATE 9/17/2024	SCALE NOT TO SCALE	SHEET 1 OF 1