

59 East Springfield Street: Existing Condition Photo of Front of Building



59 East Springfield Street: Existing Condition Photo of Front Entry Steps

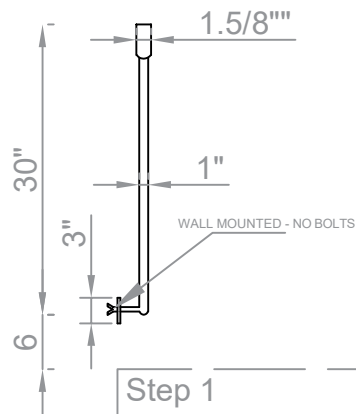
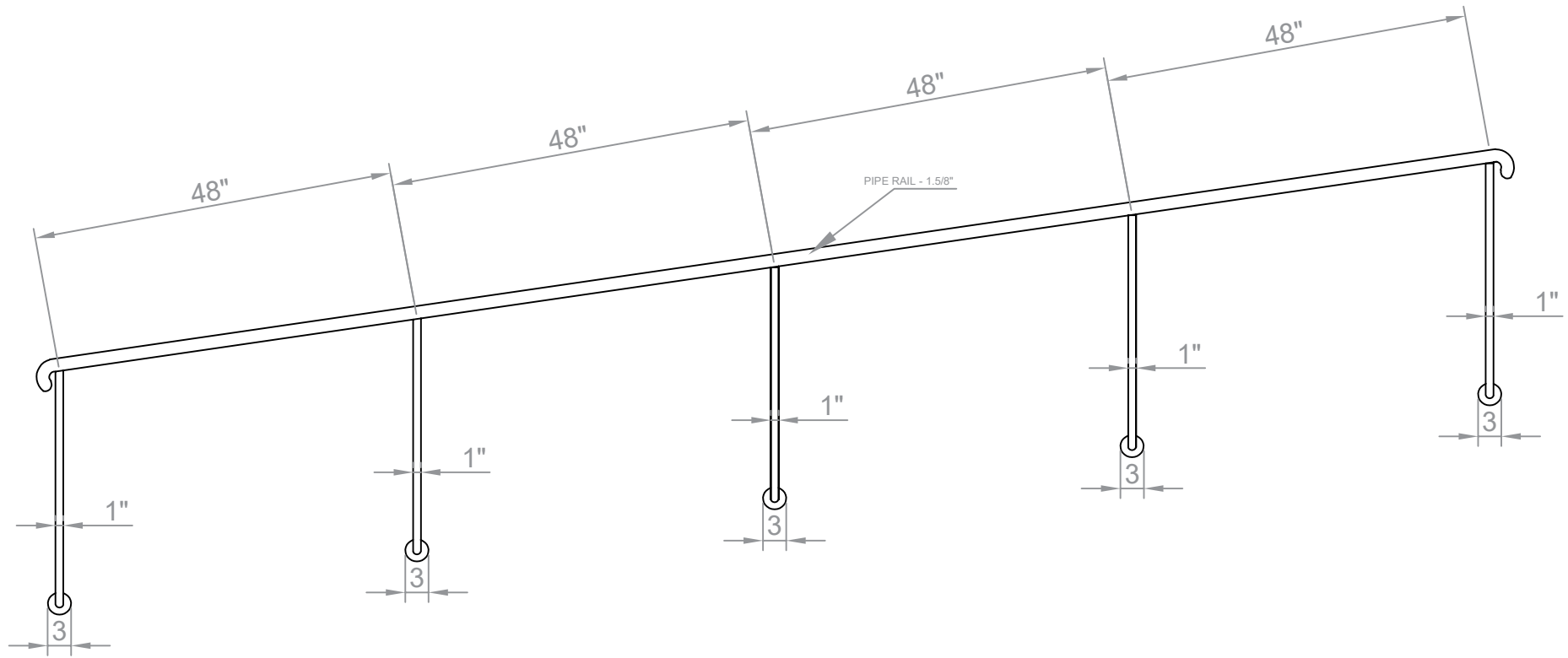


59 East Springfield Street: Existing Condition Photo of Steps and Restaurant (Side of Proposed Railing)



59 East Springfield Street: Existing Condition Photo of Front Steps, View Down from Top Landing





RAMOS IRON WORKS

CUSTOMER: PETER SANBORN