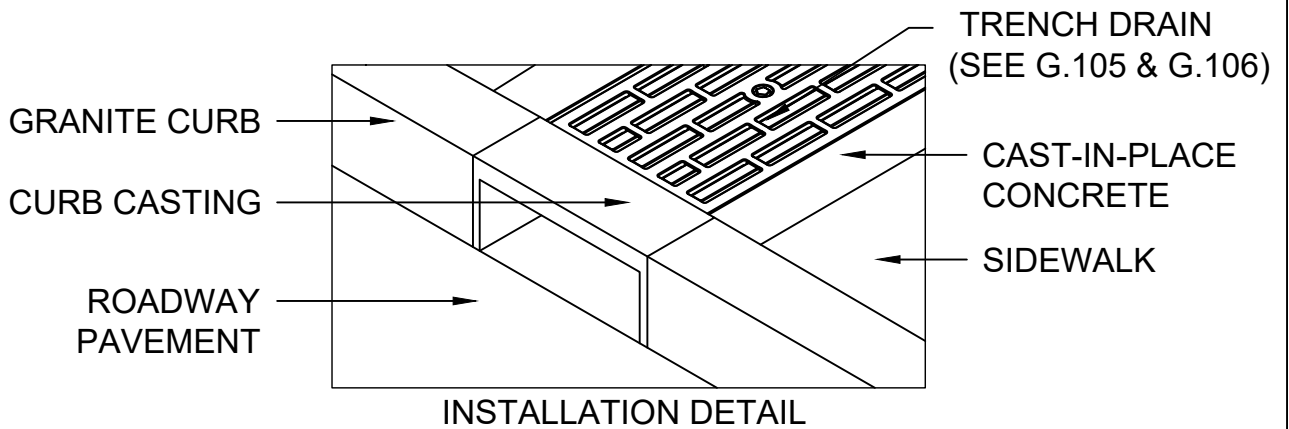
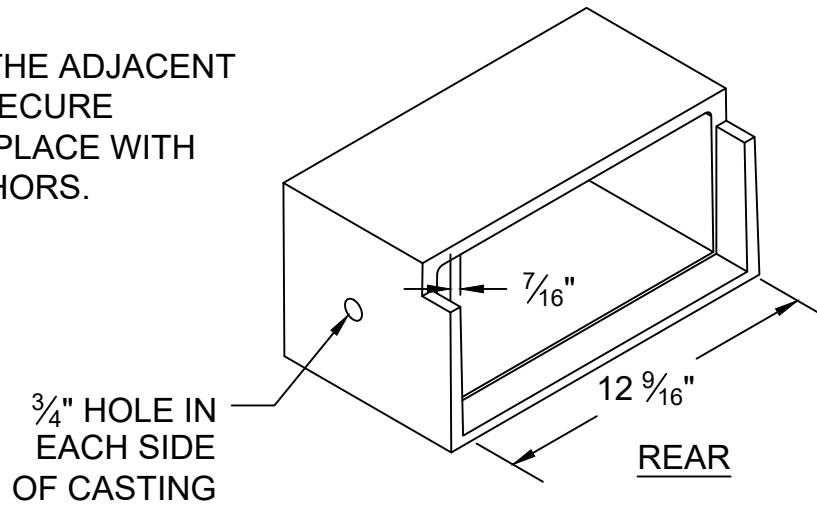


NOTES:

1. DRILL INTO THE ADJACENT CURB AND SECURE CASTING IN PLACE WITH EPOXY ANCHORS.



**Public Works Department
 Engineering Division**

1 CITY HALL SQUARE, ROOM 710
 BOSTON, MA 02201
 (617) 635-4968

**CURB CASTING
 FOR 12" TRENCH DRAIN**

**DATE OF ISSUE:
 DECEMBER 2024**

SCALE: N.T.S.

DETAIL NO.

G.108