

SLOPE TO VERTICAL GRANITE
TRANSITION CURB (SEE G.101)

BIORETENTION
AREA, BIOSWALE,
OR VEGETATED
SWALE (TYP.)

VARIES
(2'-0" TYP.)

6"
MIN.

A

A

SEE
G.101

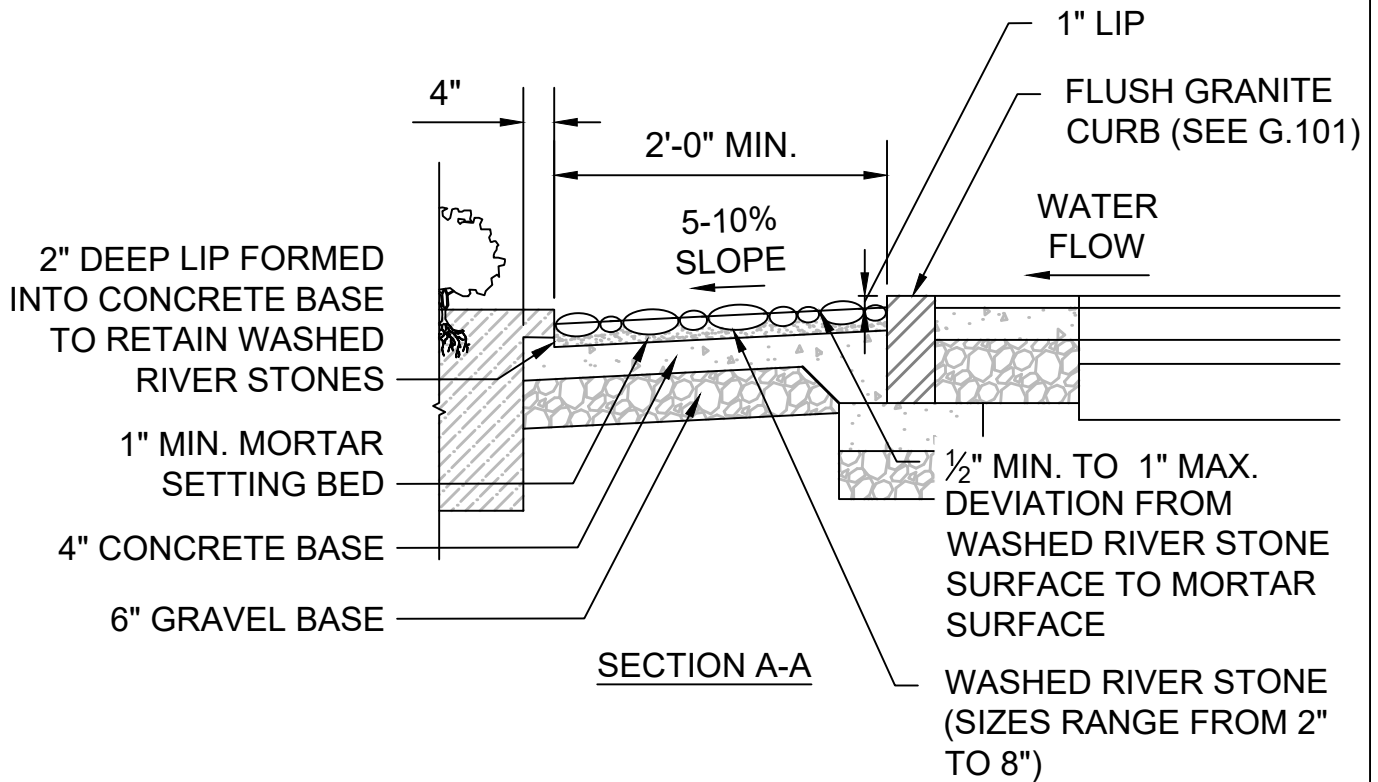
ROADWAY

1/4" - 1/2" WIDE VISIBLE JOINTS,
RAKED TO 1/4" BELOW
FINISHED GRADE AT EDGES

2'-0" MIN.

6"
MIN.

PLAN VIEW



**Public Works Department
Engineering Division**

1 CITY HALL SQUARE, ROOM 710
BOSTON, MA 02201
(617) 635-4968

WASHED RIVER STONE
SPLASH PAD

DATE OF ISSUE:
DECEMBER 2024

SCALE: N.T.S.

DETAIL NO.

G.103