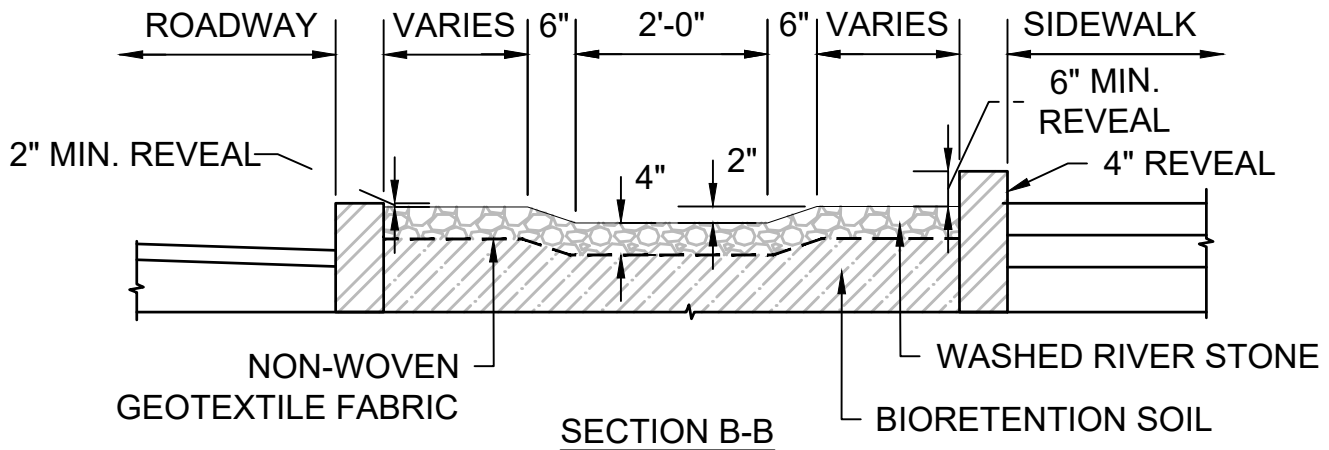
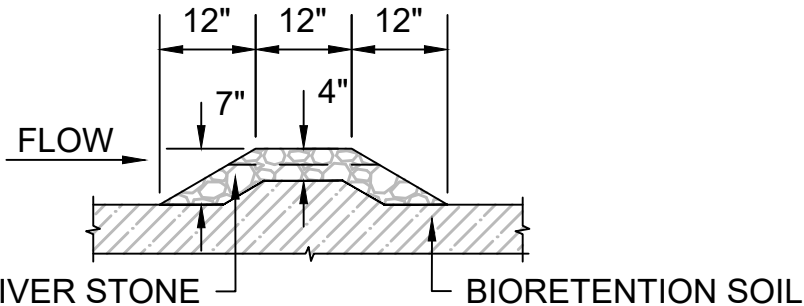


PLAN VIEW



SECTION B-B



SECTION A-A



**Public Works Department
Engineering Division**

1 CITY HALL SQUARE, ROOM 710
BOSTON, MA 02201
(617) 635-4968

PILED STONE CHECK DAM

DATE OF ISSUE:
DECEMBER 2024

SCALE: N.T.S.

DETAIL NO.

G.401