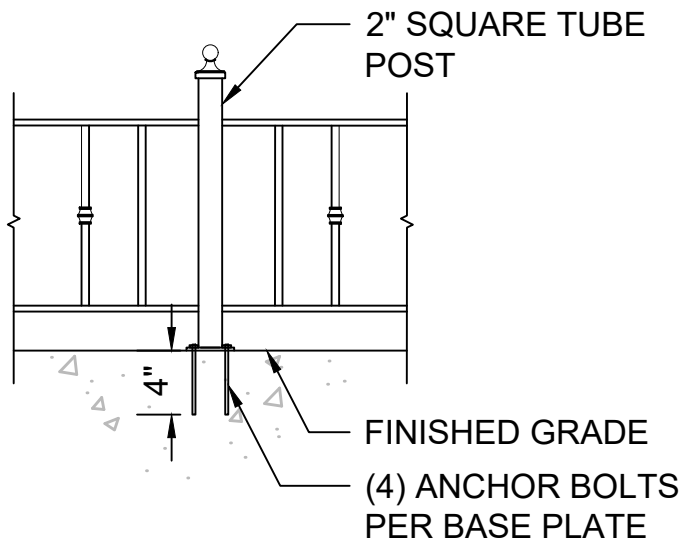
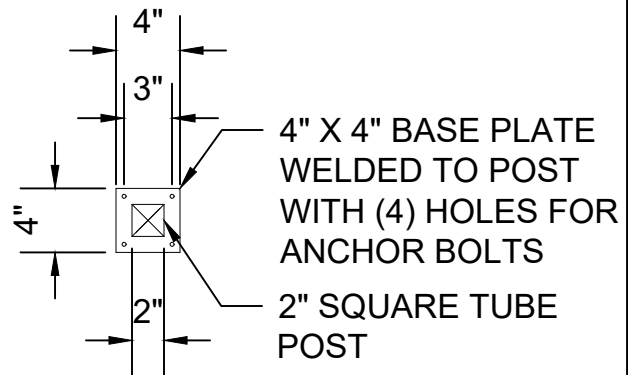


FRONT ELEVATION

DIRECT BURY



FRONT ELEVATION



PLAN VIEW

SURFACE MOUNT



**Public Works Department  
Engineering Division**

1 CITY HALL SQUARE, ROOM 710  
BOSTON, MA 02201  
(617) 635-4968

LOW METAL FENCE AT  
GREEN INFRASTRUCTURE  
(2 OF 2)

DATE OF ISSUE:  
DECEMBER 2024

SCALE: N.T.S.

DETAIL NO.

G.303