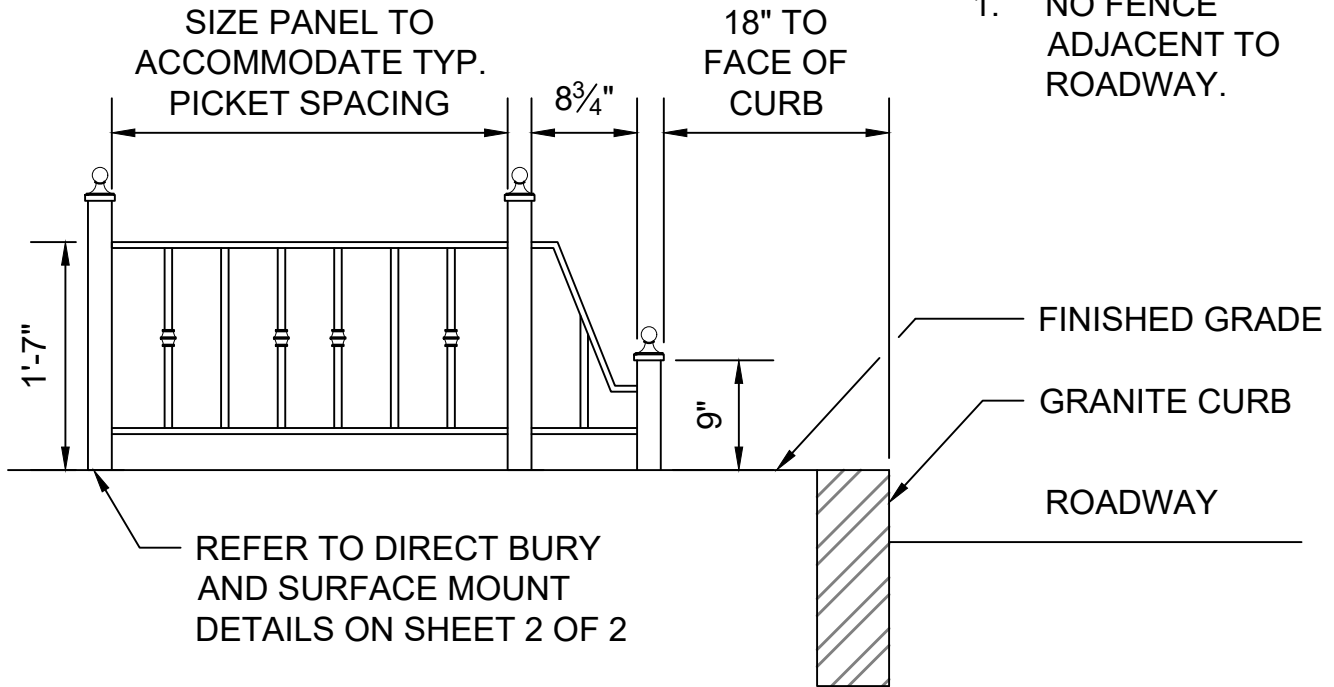
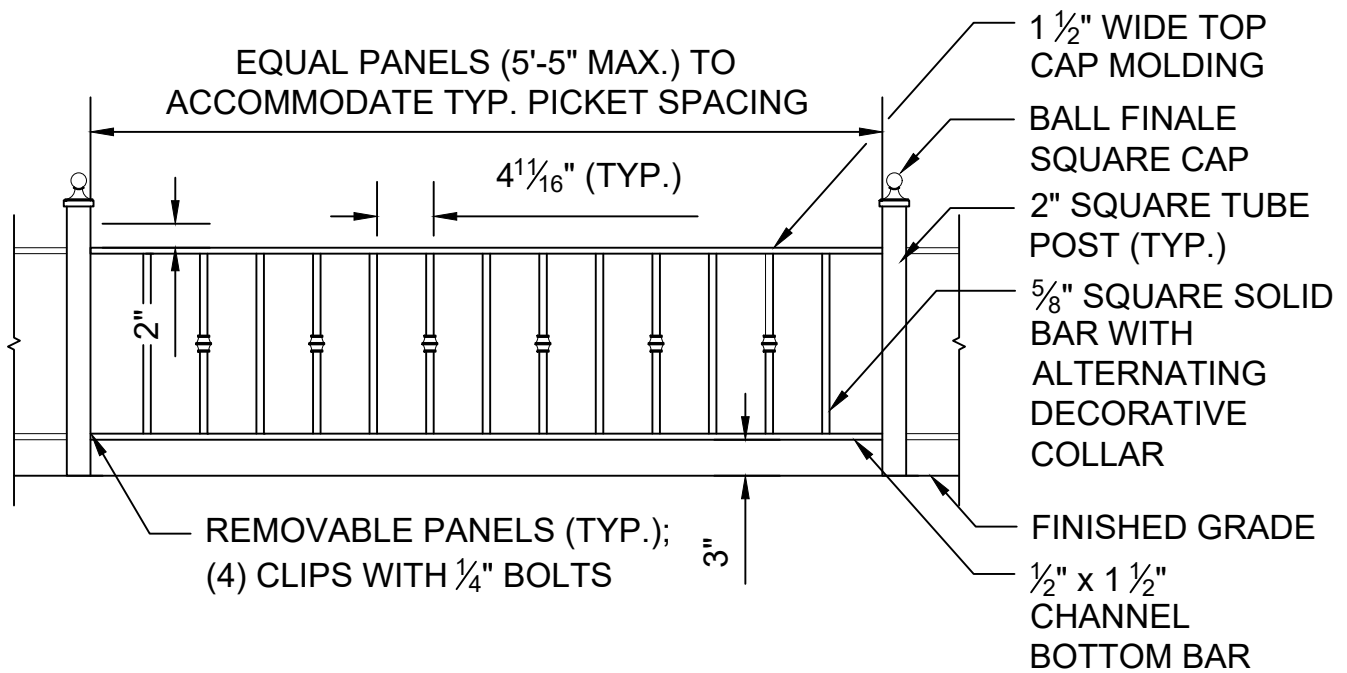


NOTES:

1. NO FENCE ADJACENT TO ROADWAY.



SIDE ELEVATION



FRONT ELEVATION



**Public Works Department
Engineering Division**

1 CITY HALL SQUARE, ROOM 710
BOSTON, MA 02201
(617) 635-4968

**LOW METAL FENCE AT
GREEN INFRASTRUCTURE
(1 OF 2)**

**DATE OF ISSUE:
DECEMBER 2024**

SCALE: N.T.S.

DETAIL NO.

G.303