

STARBUCKS COFFEE #857
222 Cambridge Street
Boston MA 02114



22-62534

HILTONDISPLAYS

125 HILLSIDE DRIVE • GREENVILLE SC 29607

P 800 353 9132 • F 864 242 2204

www.hiltondisplays.com

QID 22-62534

JOB NAME

Starbucks 857

LOCATION

222 Cambridge Street
 Boston MA 02114

CUSTOMER CONTACT

SALESMAN / PM

Joe Nolasco

DESIGNER

Brian Sowder

DWG. DATE

8-29-22

REV. DATE / REVISION

11-14-24

SCALE

As Noted

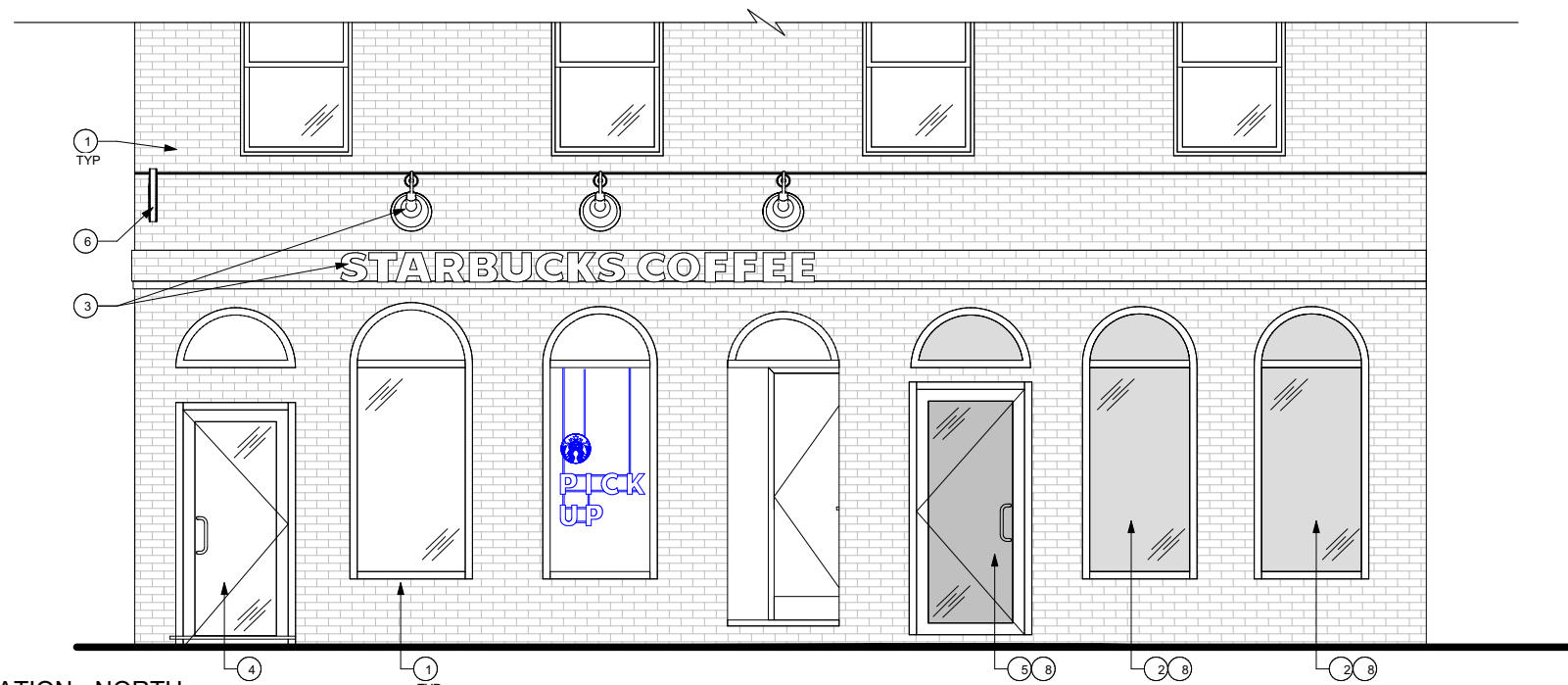
FILE

2022/Starbucks/Locations/
 Boston MA/22-62534/
 SB Boston MA 22-62534

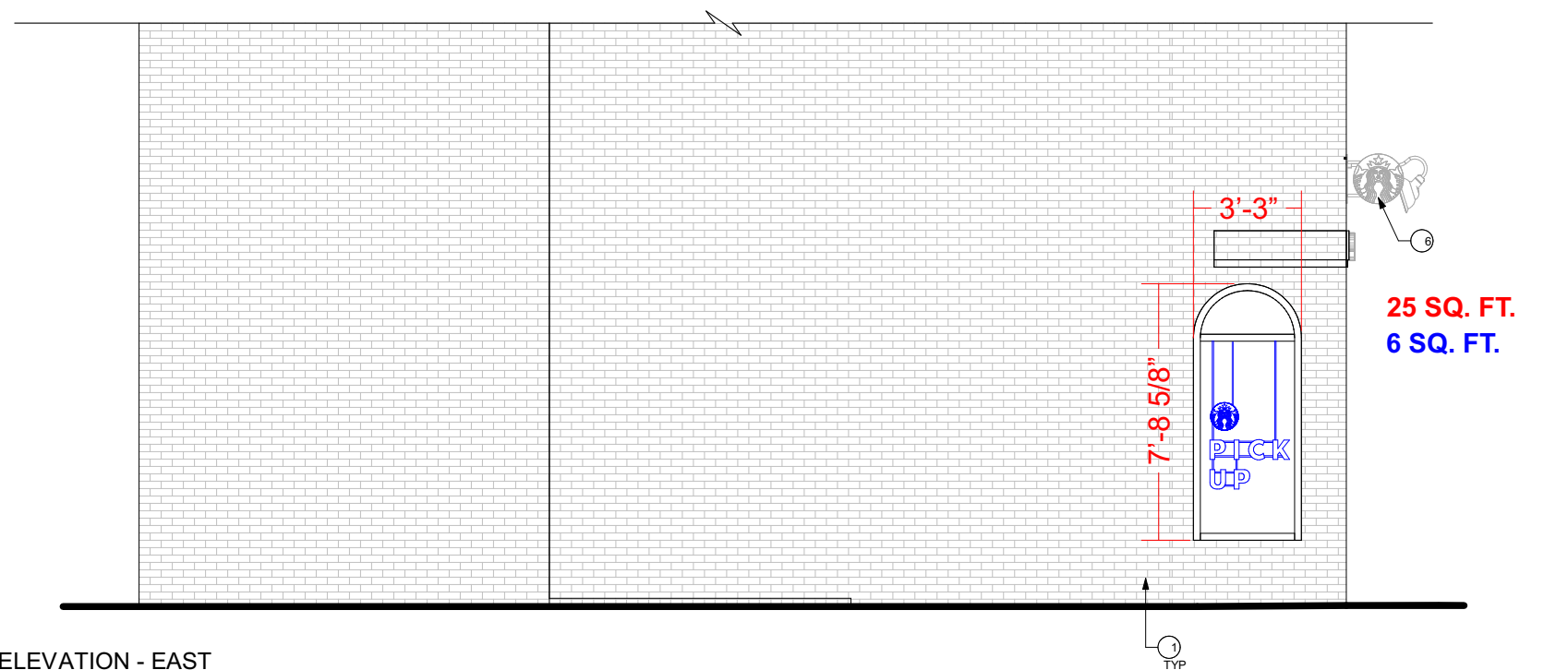
DESIGN SPECIFICATIONS ACCEPTED BY:

EST:	CLIENT:
SLS/PM:	LANDLORD:

THE INTENT OF THIS DRAWING IS TO SHOW A CONCEPTUAL REPRESENTATION OF THE PROPOSED SIGNAGE. DUE TO VARIATIONS IN PRINTING DEVICES AND SUBSTRATES, THE FINISHED PRODUCT MAY DIFFER SLIGHTLY FROM DRAWING.



③ ELEVATION - NORTH
 Scale: 3/16" = 1' (11x17 paper)



② ELEVATION - EAST
 Scale: 3/16" = 1' (11x17 paper)

HANGING WINDOW SIGN - NON ILLUMINATED - CUSTOM

SBC-22-62534-1

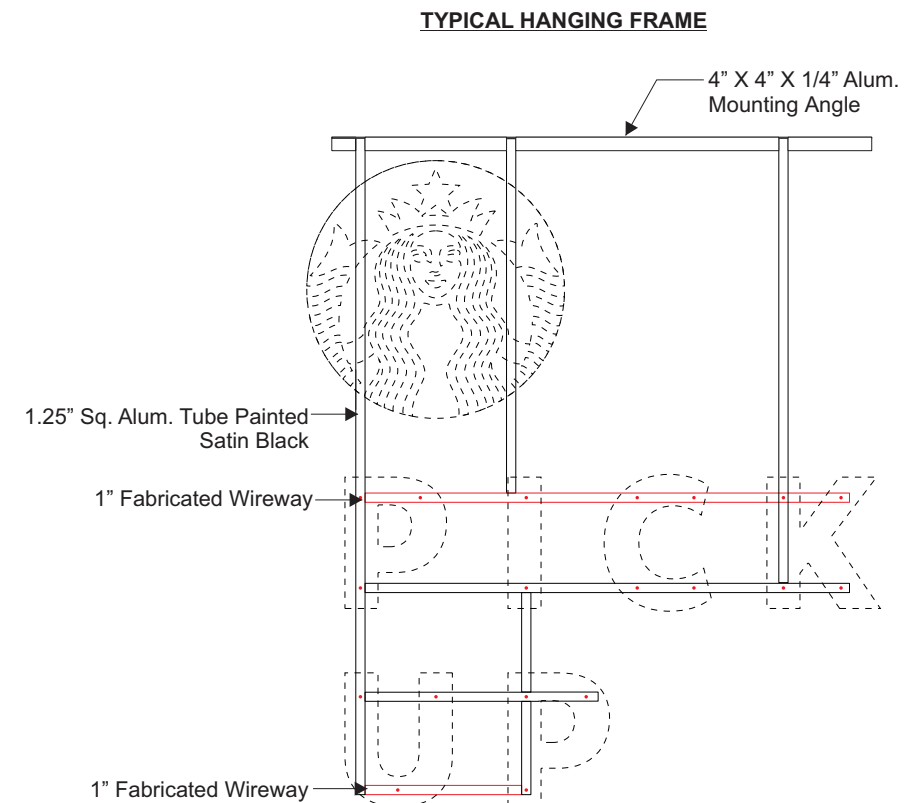
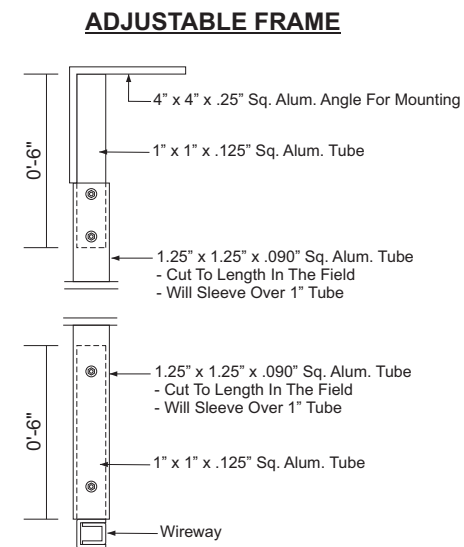
Qty. 2



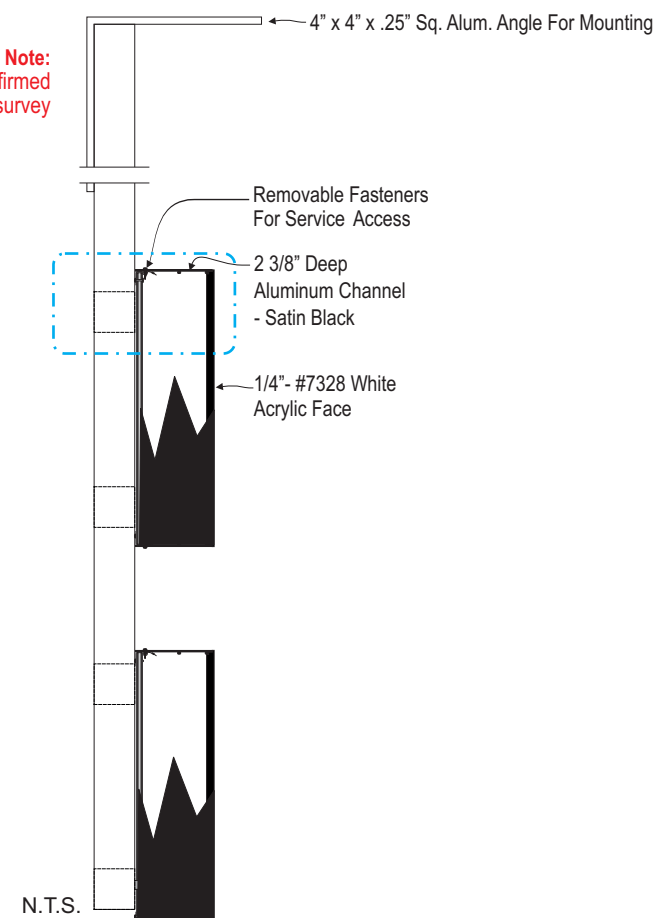
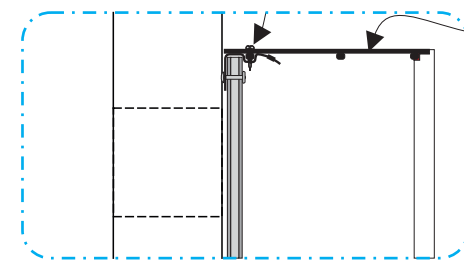
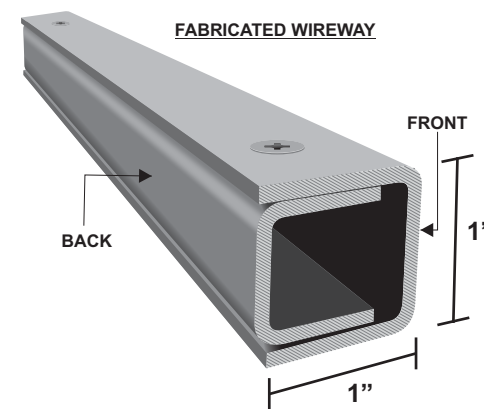
Scale: 1 1/2" = 1' (11x17 paper)



COLOR LEGEND		
	PMS/PAIN	VINYL
	SATIN BLACK	NA
	PMS 3425 C	3M 3630-126
	WHITE	NA



Note:
Mounting method to be confirmed
via tech survey



HILTONDISPLAYS

125 HILLSIDE DRIVE • GREENVILLE SC 29607
P 800 353 9132 • F 864 242 2204
www.hiltondisplays.com

QID 22-62534

JOB NAME

Starbucks 857

LOCATION

222 Cambridge Street
Boston MA 02114

CUSTOMER CONTACT

SALESMAN / PM

Joe Nolasco

DESIGNER

Brian Sowder

DWG. DATE

8-29-22

REV. DATE / REVISION

11-14-24

SCALE

As Noted

FILE

2022/Starbucks/Locations/
Boston MA/22-62534/
SB Boston MA 22-62534

DESIGN SPECIFICATIONS ACCEPTED BY:

EST: CLIENT:

SLS/PM: LANDLORD:

THE INTENT OF THIS DRAWING IS TO SHOW A CONCEPTUAL REPRESENTATION OF THE PROPOSED SIGNAGE. DUE TO VARIATIONS IN PRINTING DEVICES AND SUBSTRATES, THE FINISHED PRODUCT MAY DIFFER SLIGHTLY FROM DRAWING.

