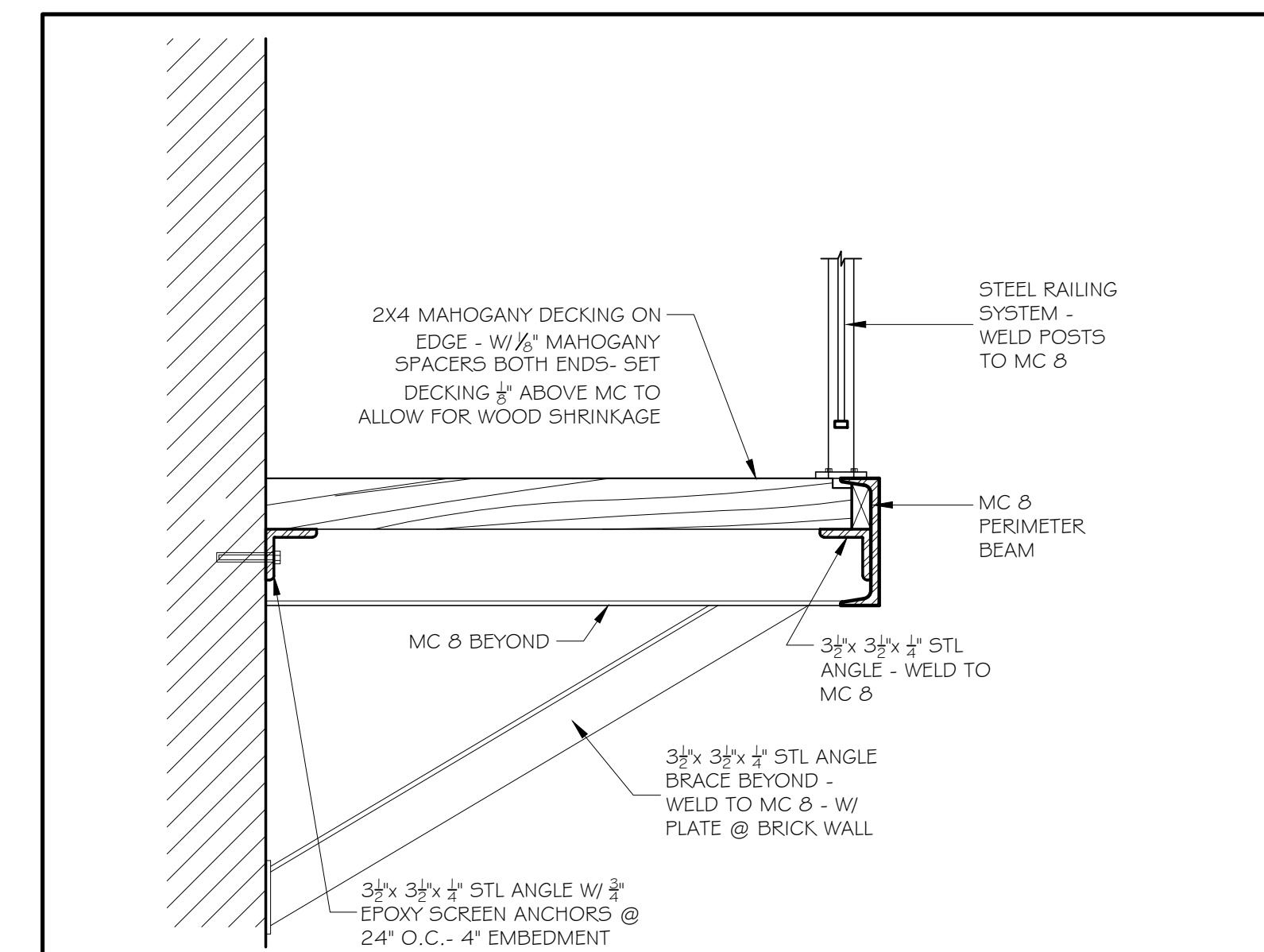


1 EXISTING PARTIAL NORTH ELEVATION



2 PROPOSED PARTIAL NORTH ELEVATION



3 BALCONY DETAIL

1" = 1'-0"

SCALE: 1/4"=1'-0"	DATE: 09.12.24	REVISED
-------------------	----------------	---------

441 MARLBOROUGH STREET  
BOSTON, MA

PARTIAL FIRST FLOOR PLAN AND EXISTING & PROPOSED PARTIAL NORTH ELEVATIONS AND BALCONY DETAIL

A1