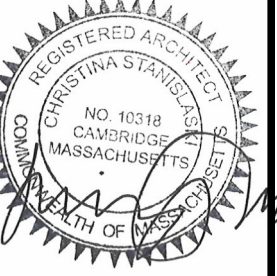


NOT FOR CONSTRUCTION

H M  
F H

HMFH ARCHITECTS

130 Bishop Allen Drive  
Cambridge, MA 02139  
781.452.1100  
@HMFHarch hmfh.com

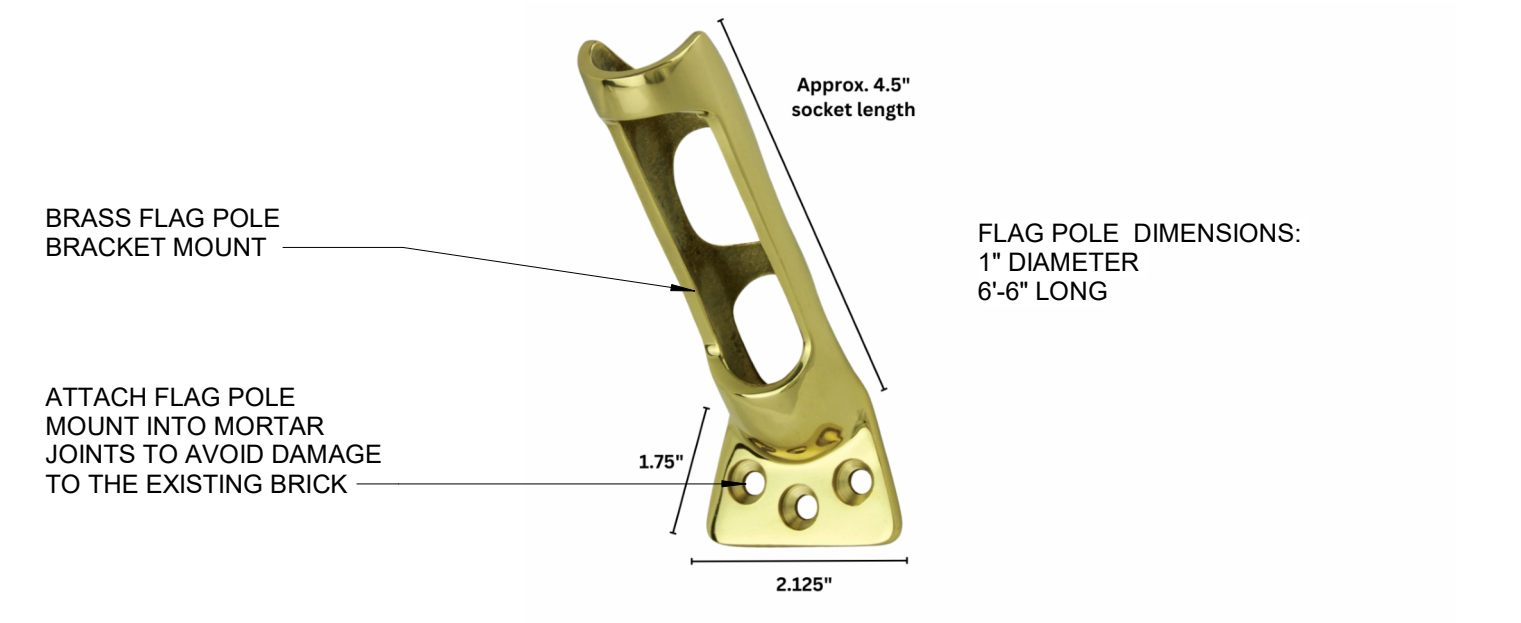


*Christina*

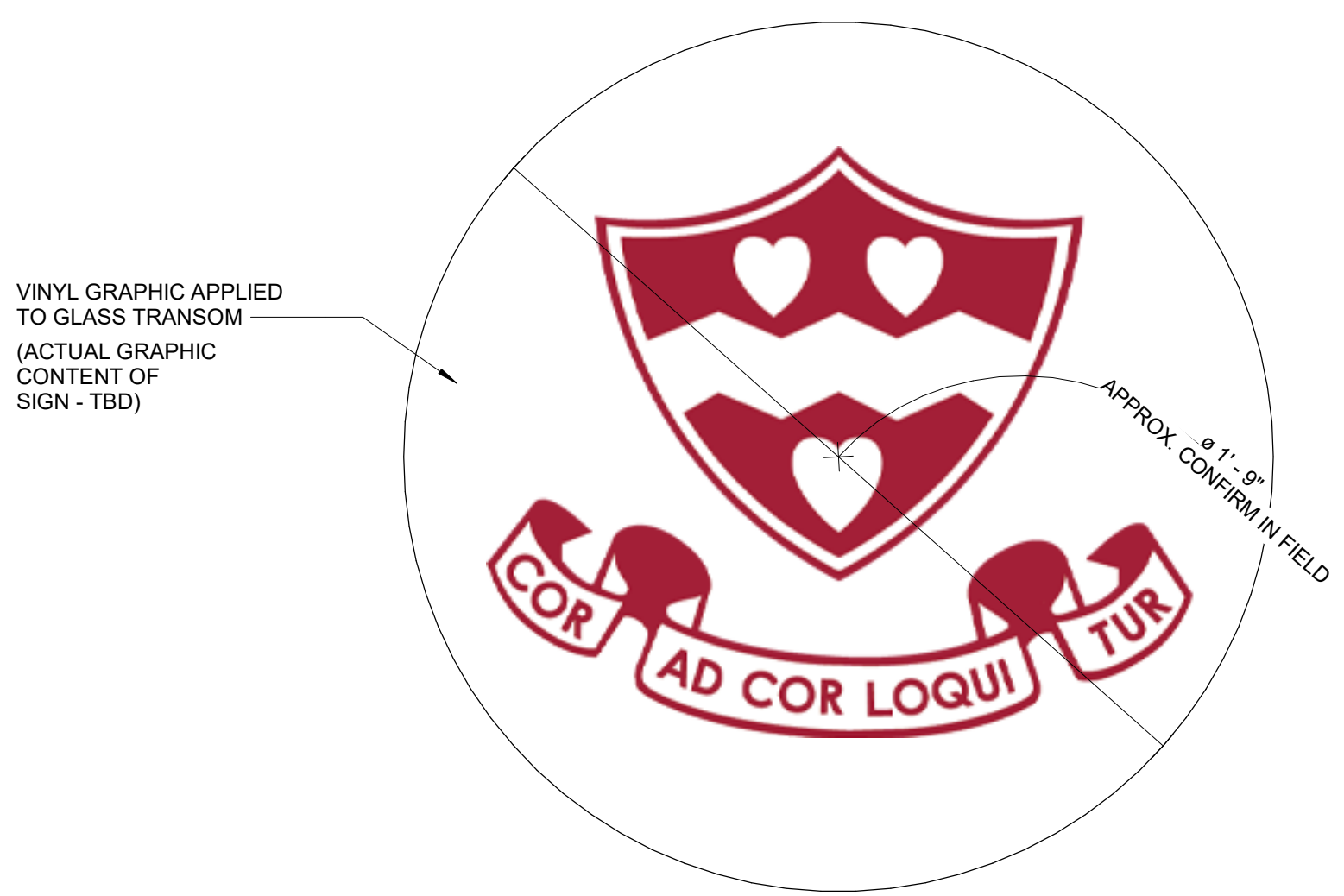
PRE-SCHEMATIC 08/05/2024  
NOT FOR CONSTRUCTION

The Newman School-Newbury Dorm  
298 - 300 Newbury Street, Boston, MA  
Proposed Signage Drawings  
SCALE: As indicated DRAWN BY: MAg CHECKED BY: Checker

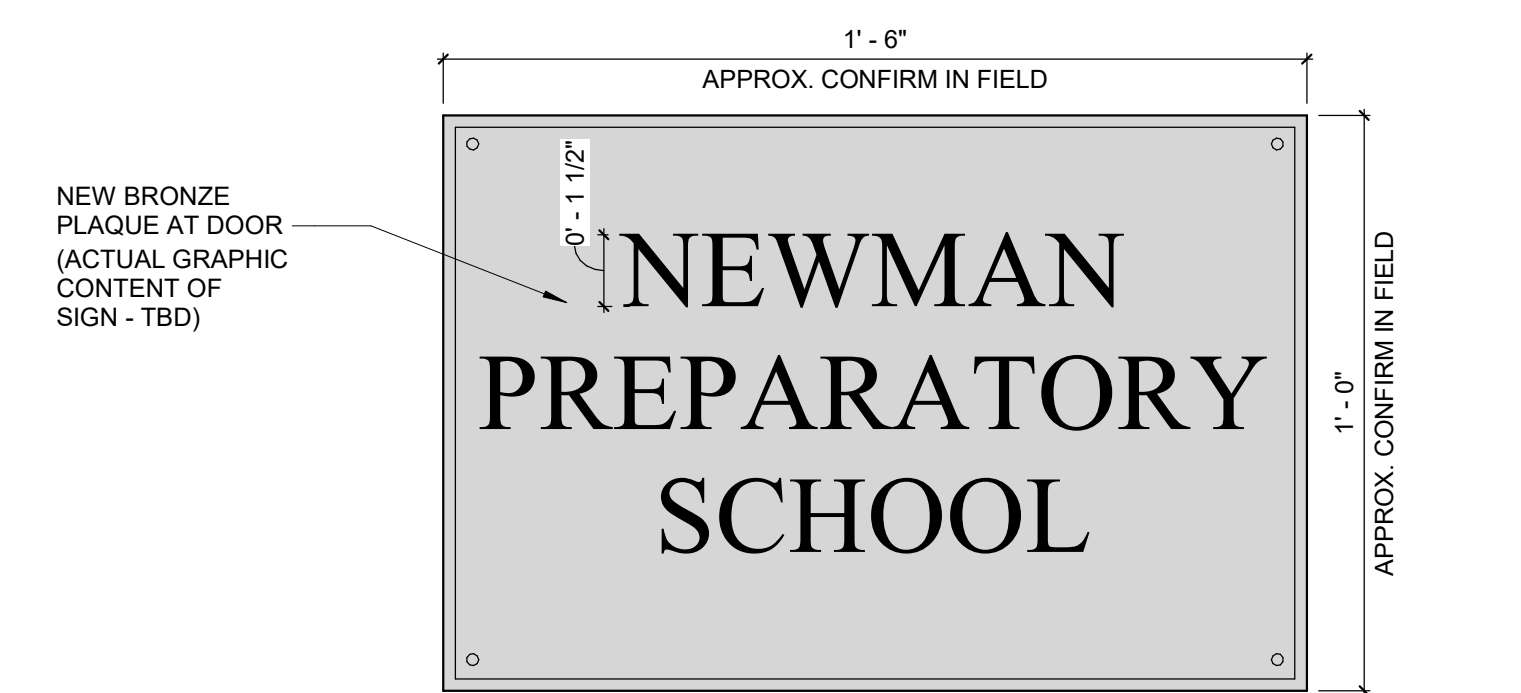
DRAWING NUMBER  
**001**  
JOB NUMBER 0000000



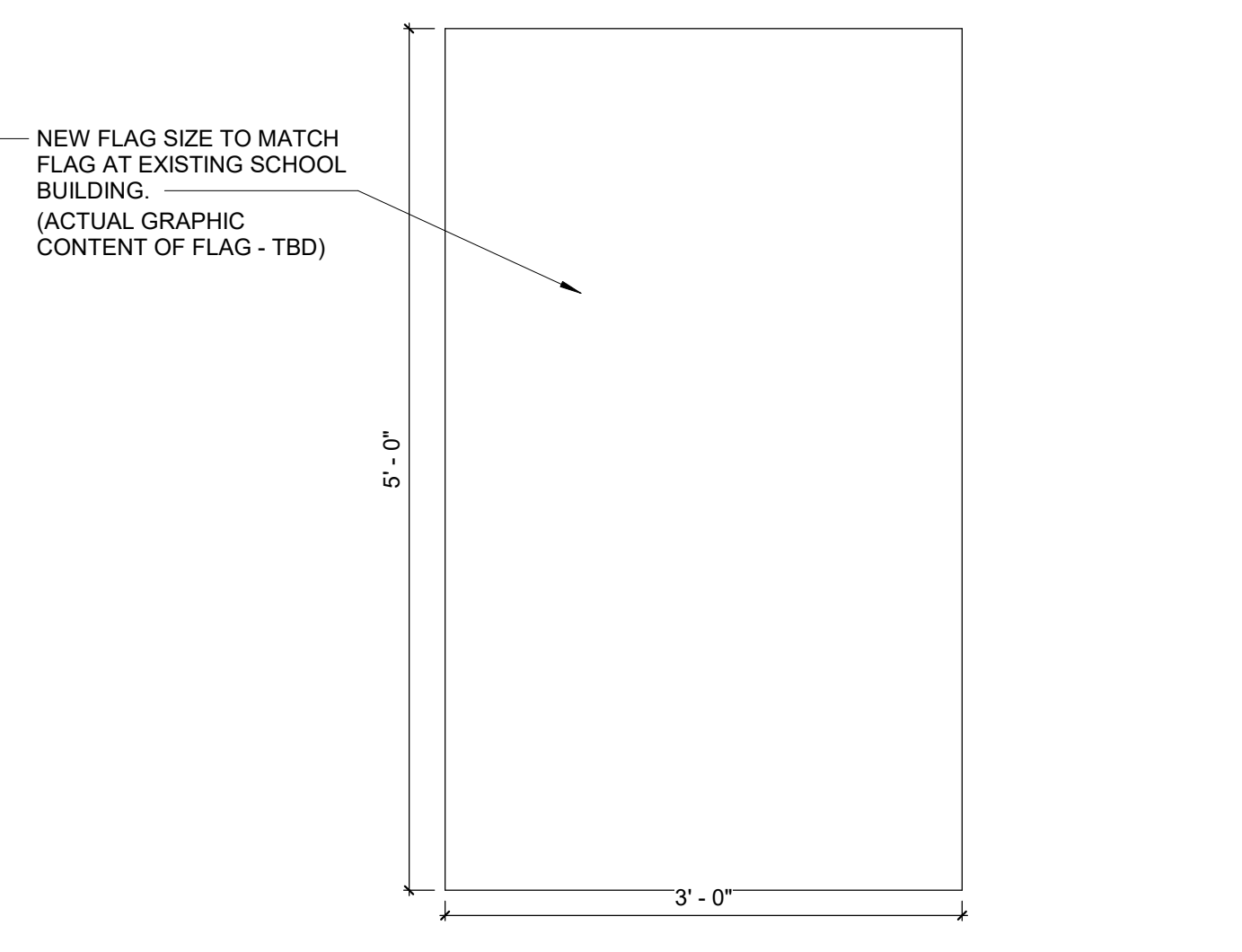
Enlarged Detail Brass Flag Pole Mount ②  
6" = 1'-0"



Enlarged Detail Vinyl Graphic ③  
3" = 1'-0"



Enlarged Detail Bronze Plaque ④  
3" = 1'-0"



Enlarged Detail Proposed Flag ⑤  
1" = 1'-0"



NEW FLAG POLE MOUNT FOR SCHOOL FLAG  
VINYL GRAPHIC APPLIED TO GLASS TRANSOM  
NEW BRONZE SIGNAGE

Elevation Sketch ①

Existing Conditions





