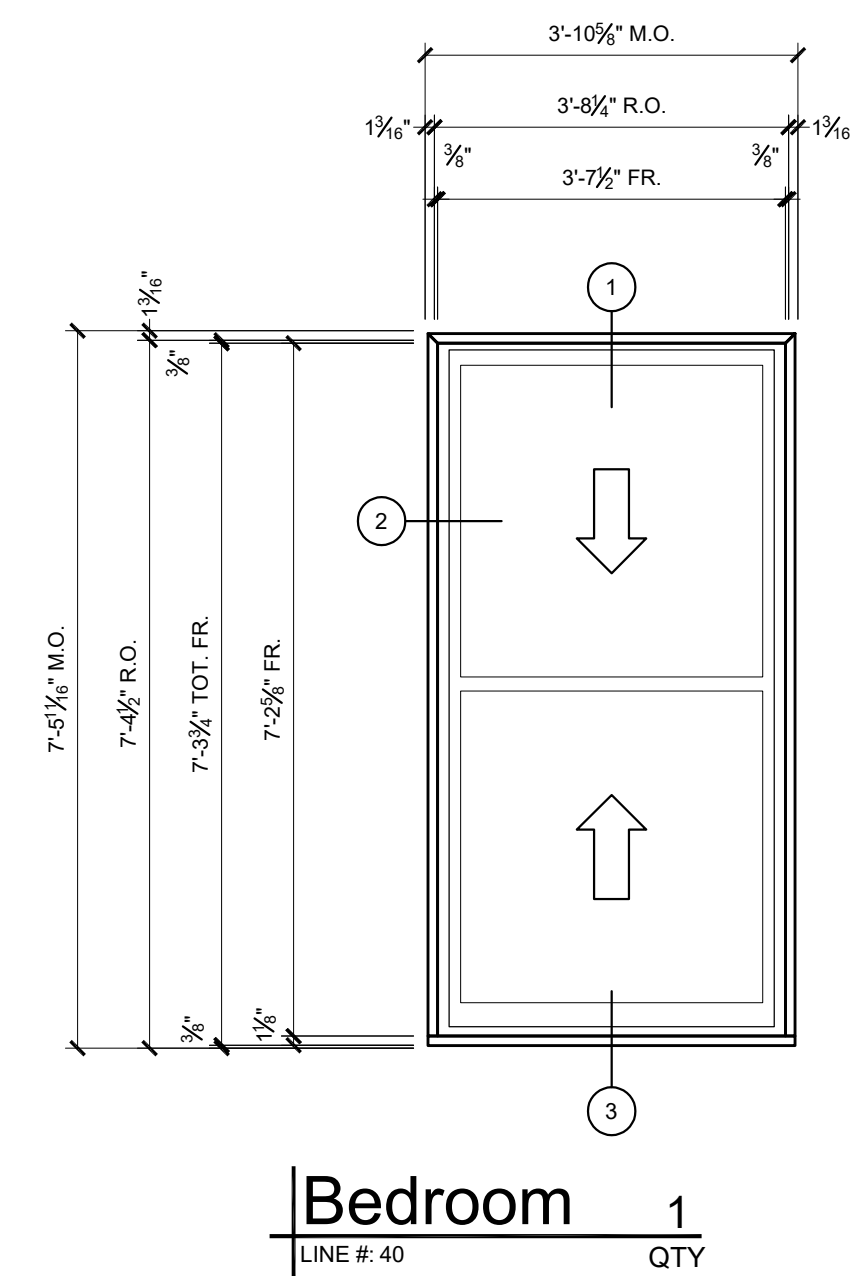
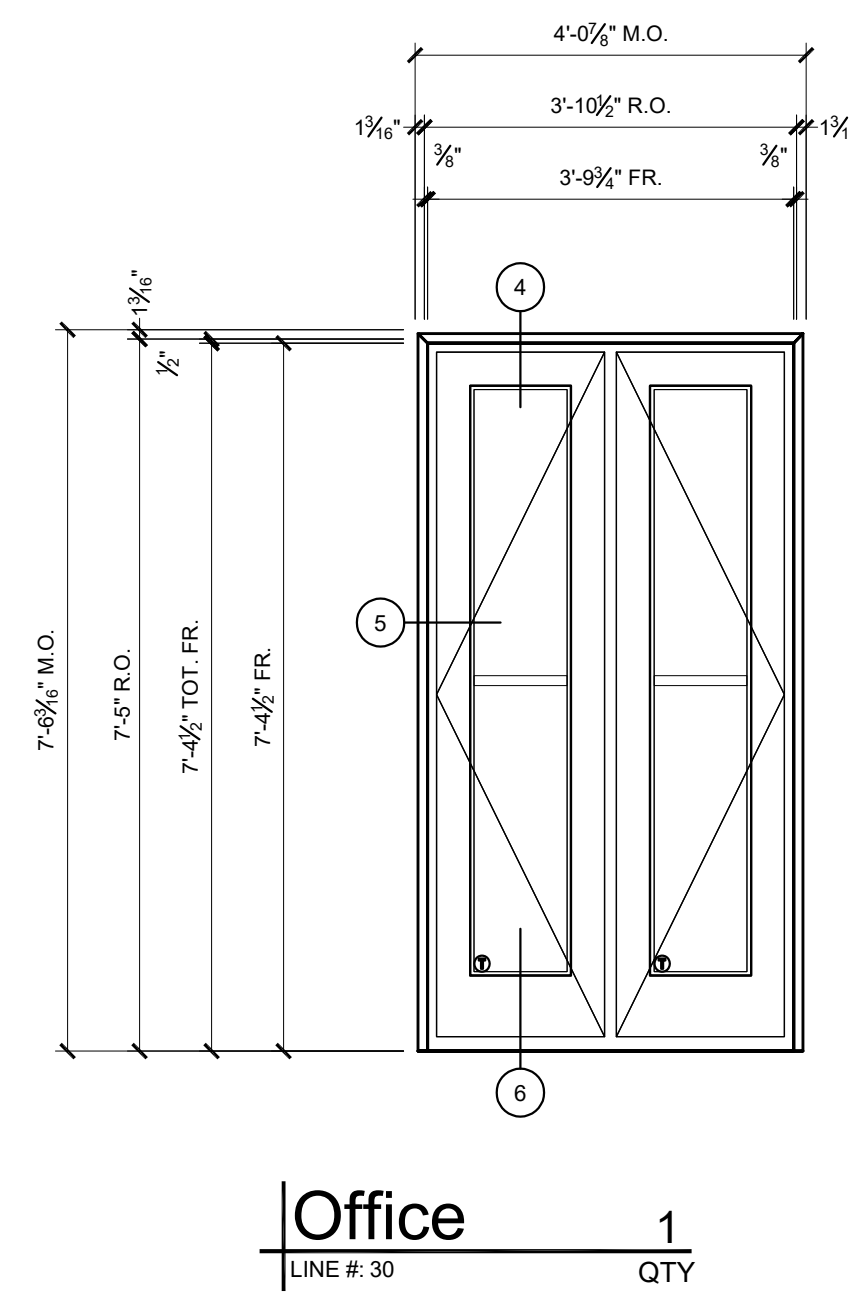
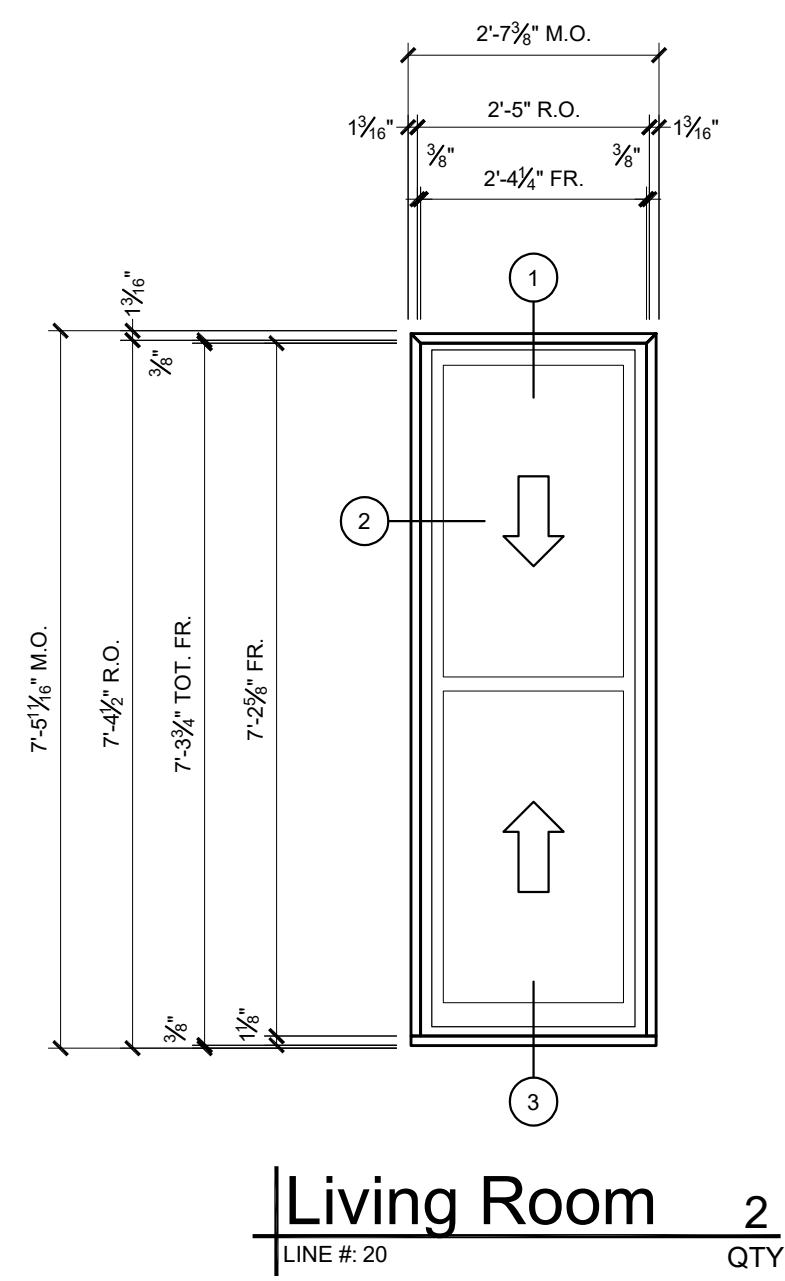
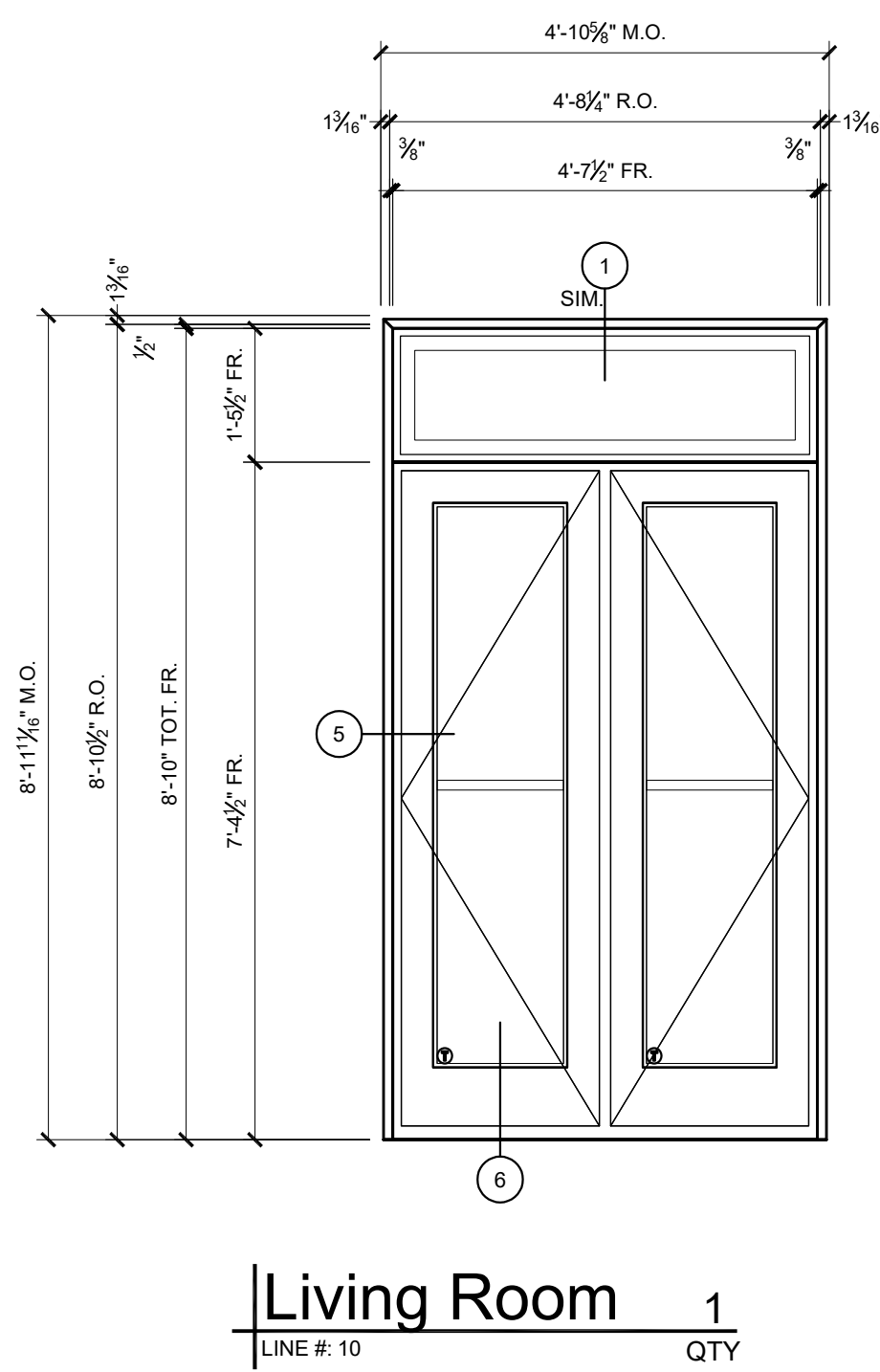
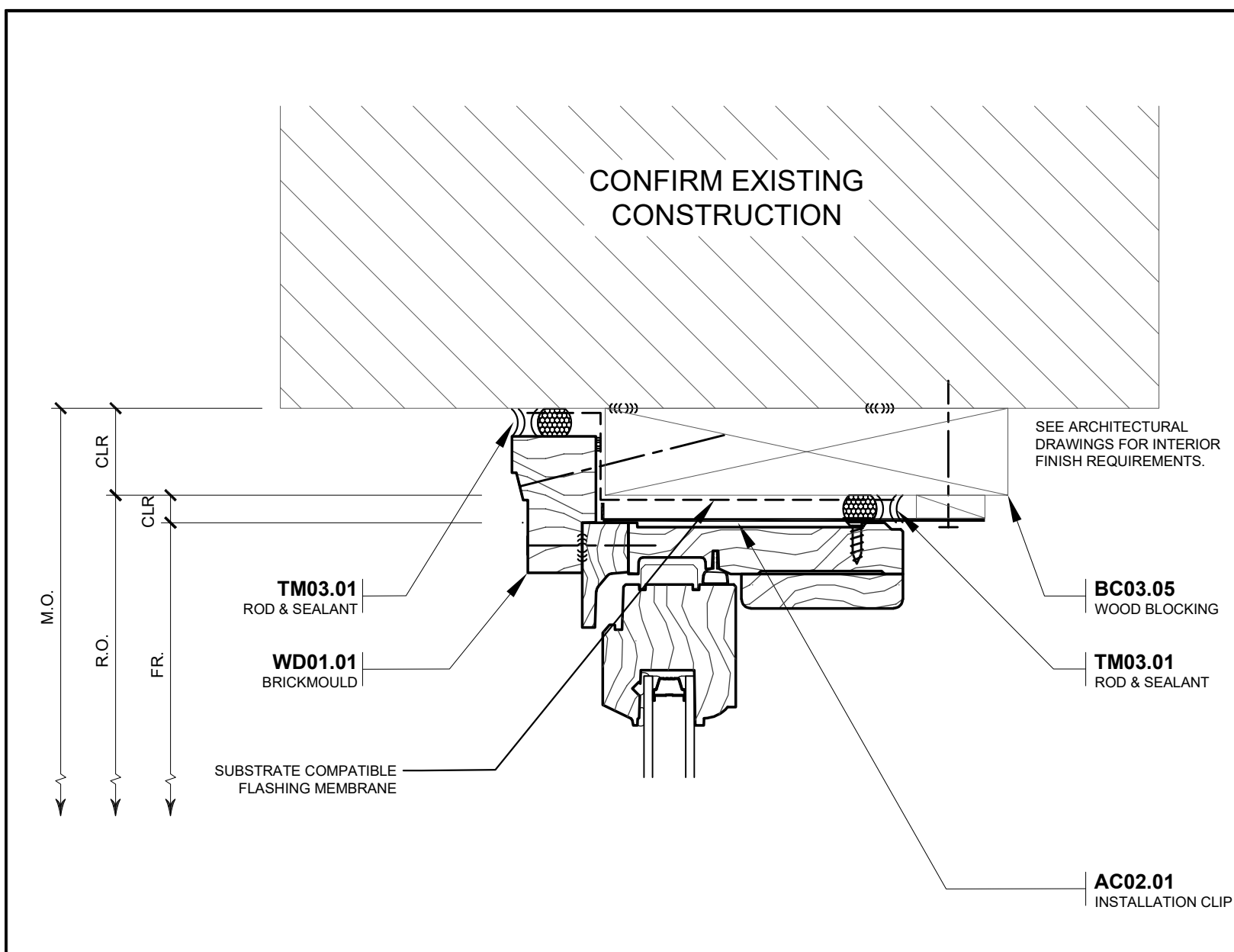


PRELIMINARY DRAWINGS FOR 42 MOUNT VERNON ST UNIT 3B BOSTON, MA

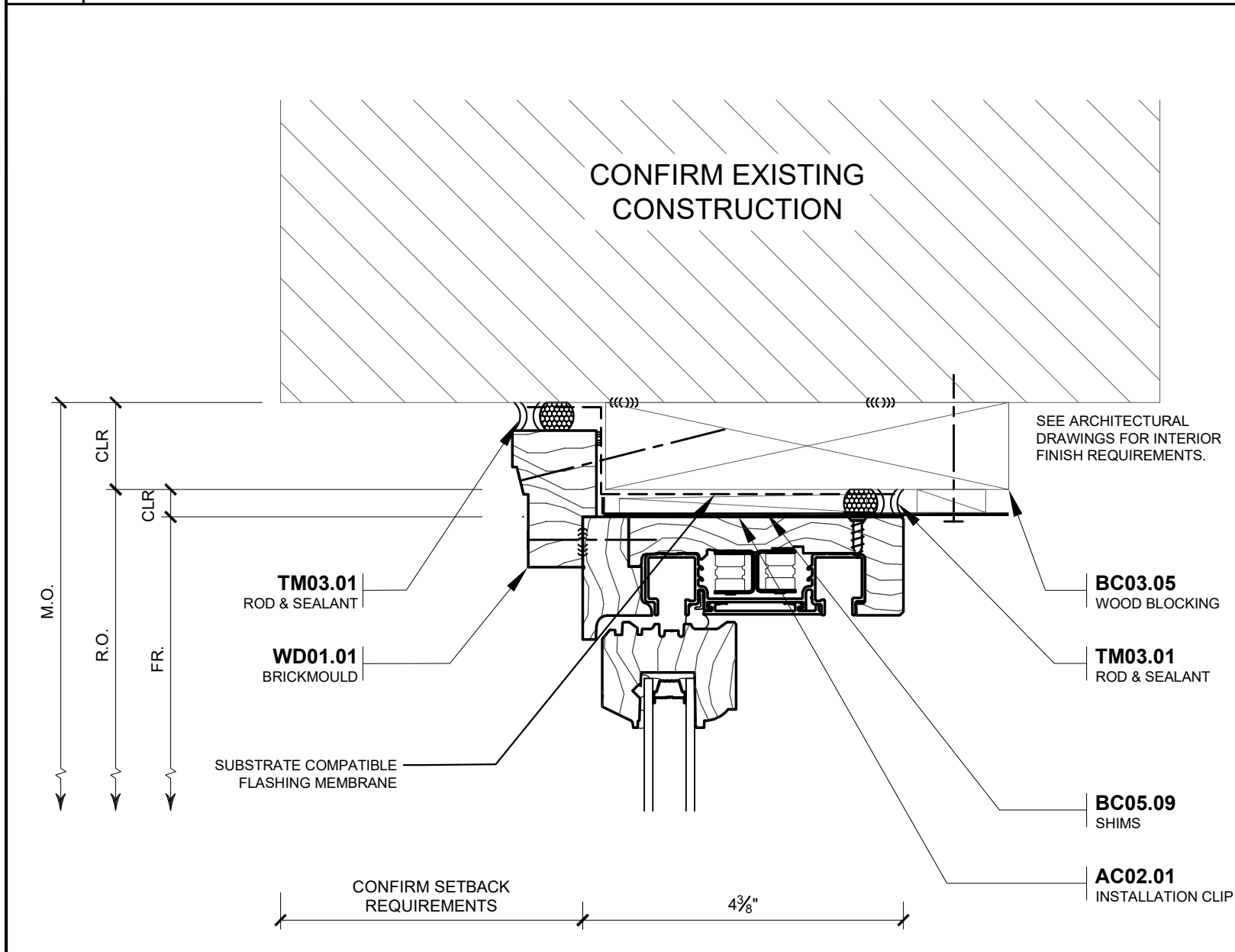


PRELIMINARY DRAWINGS
NOT FOR CONSTRUCTION

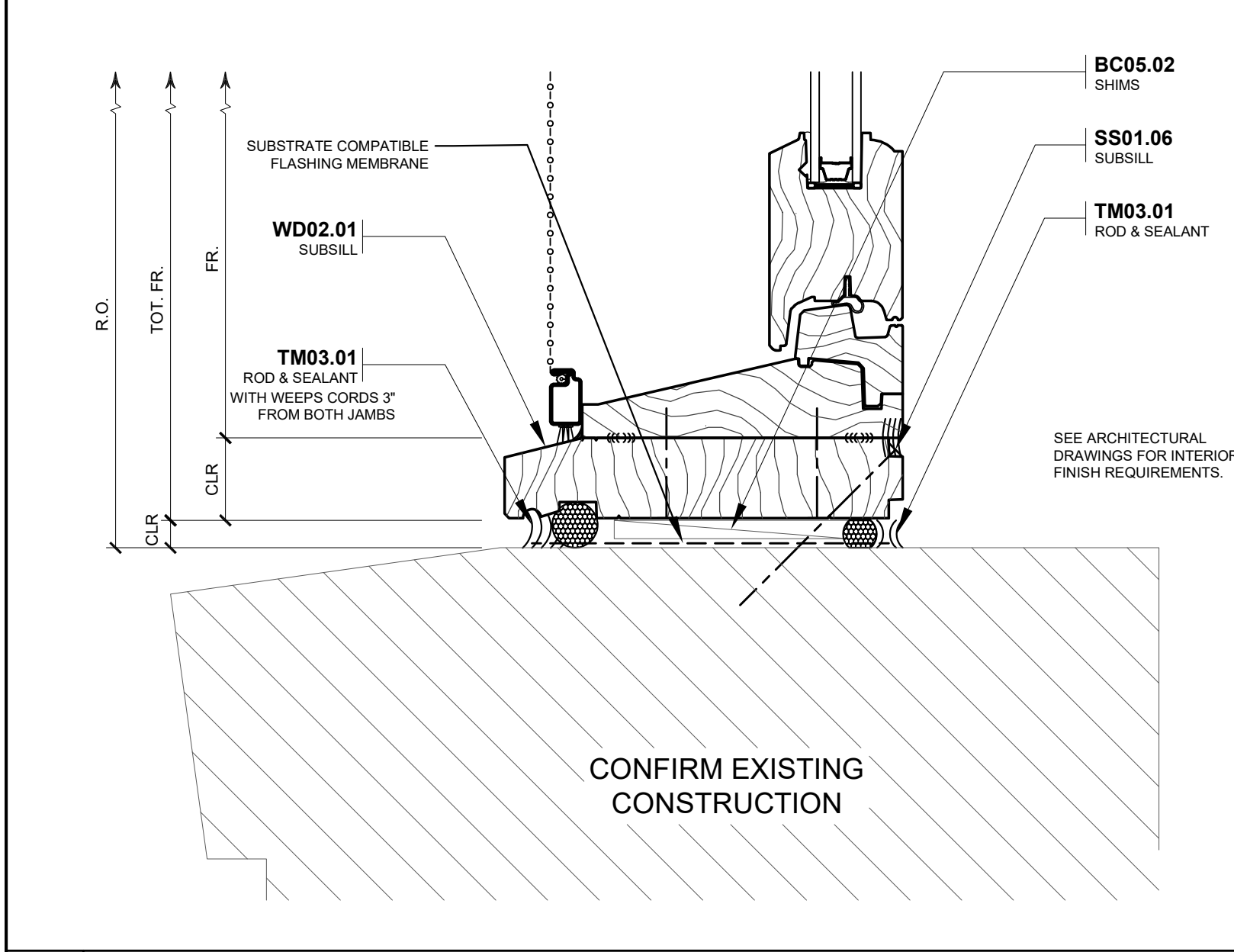
REV.	DATE	REV.	DATE
1		1	
2		2	
3		3	
4		4	
5		5	



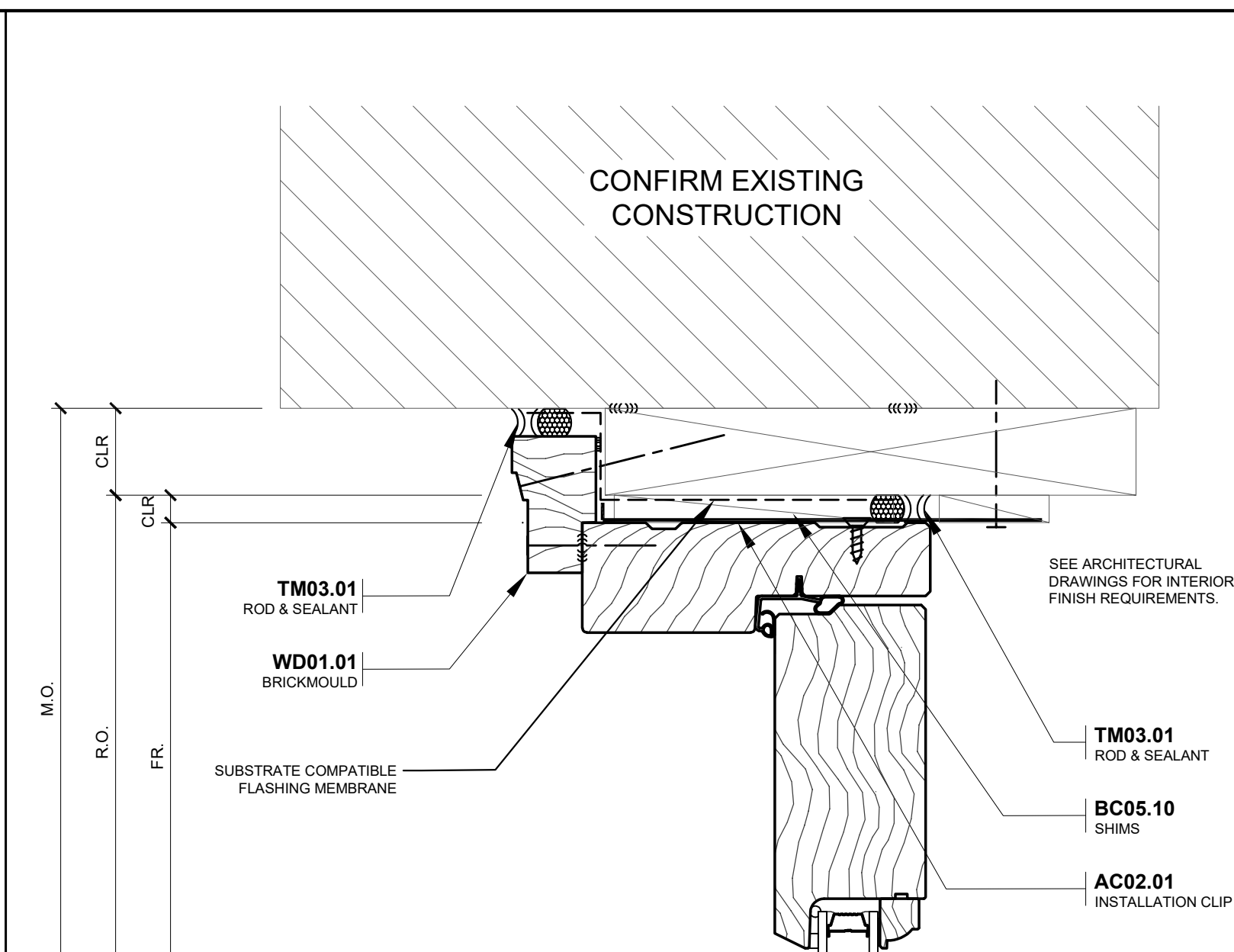
1 HEAD
REF. ARCH. DWG.-VERIFY



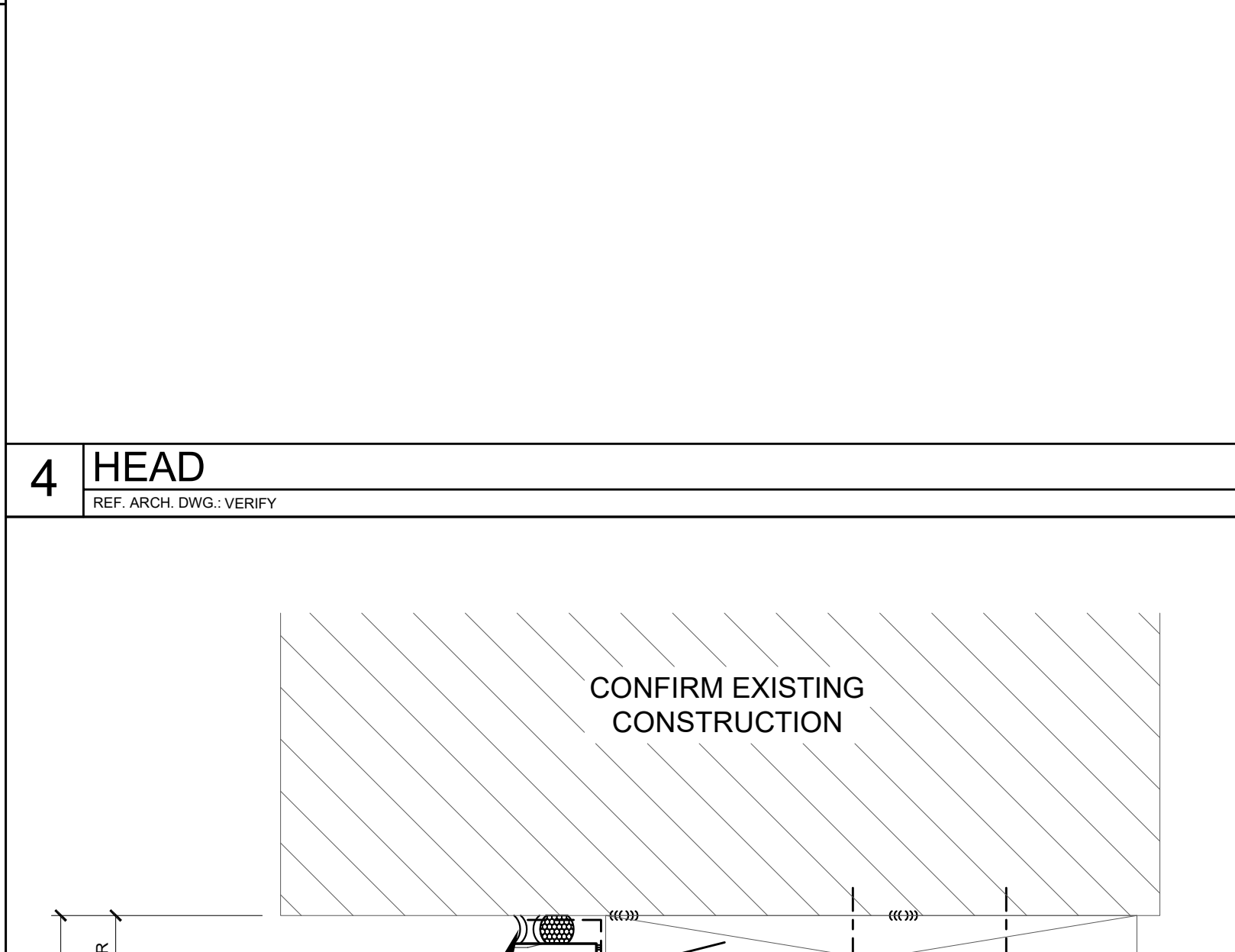
2 JAMB
REF. ARCH. DWG.-VERIFY



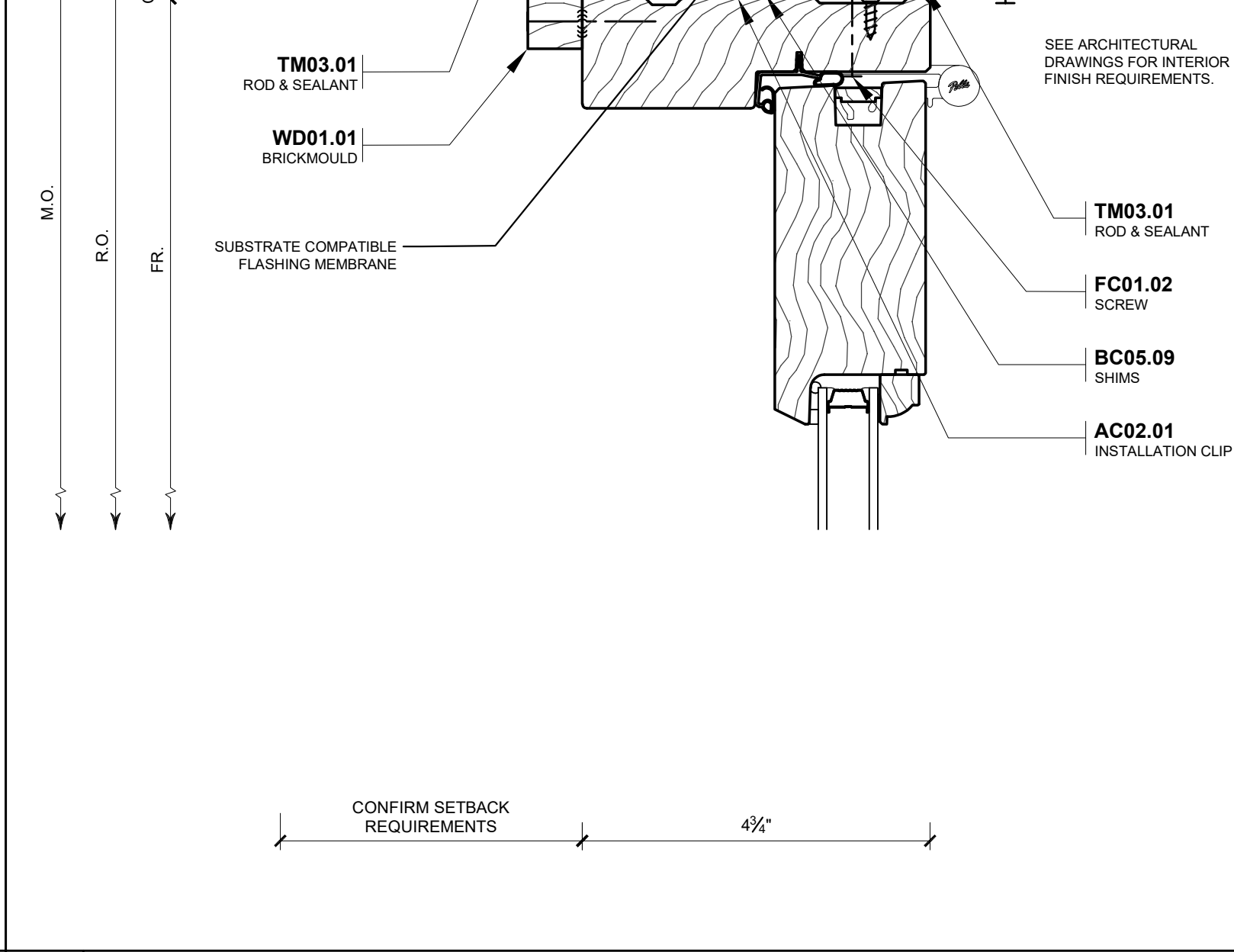
3 SILL
REF. ARCH. DWG.-VERIFY



4 HEAD
REF. ARCH. DWG.-VERIFY



5 JAMB
REF. ARCH. DWG.-VERIFY



6 SILL
REF. ARCH. DWG.-VERIFY

Door Sill Notes
ARCHITECT / CONTRACTOR TO REVIEW INTERIOR FINISHED FLOOR THICKNESS & DETERMINE DOOR SILL SETTING HEIGHT REQUIREMENT.
ARCHITECT / CONTRACTOR TO VERIFY FLOOR CONSTRUCTION PROVIDES SUPPORT FOR TOTAL DEPTH OF DOOR THRESHOLD.
LEVEL FLOOR SURFACE PRIOR TO UNIT INSTALLATION.
CLEAN AND SEAL CONCRETE IN PREPARATION FOR SEALANT APPLICATION UNDER DOOR SILL.

DETAIL KEYNOTES

- AC : ATTACHMENT COMPONENTS**
AC02.01 INSTALLATION CLIP- FIELD CUT AND BEND AS REQUIRED. LOCATE AND ATTACH TO PRODUCT AND WALL CONSTRUCTION PER PRODUCT CLIP AND FRAME SCREW FASTENER SPACING DIAGRAM. EMBED THE CLIP IN SEALANT AGAINST THE PRODUCT.
- BC : BUILDING COMPONENTS (BY OTHERS)**
BC03.05 CONTINUOUS WOOD BLOCKING, SEAL AND ANCHOR SECURELY TO WALL CONSTRUCTION.
BC05.02 LEVEL OPENING SILL PRIOR TO UNIT INSTALLATION. PROVIDE IMPERVIOUS SHIMS 1/2" FROM EACH OPENING JAMB AND AT WINDOW MULLION AS REQUIRED. FOR VINYL WINDOWS, ADD SHIMS SO MAXIMUM SPACING IS 18".
BC05.09 SHIM AND PLUMB UNITS AS PER INSTALLATION INSTRUCTIONS. (DO NOT OVER SHIM)
BC05.10 SHIM AS REQUIRED AT ANCHORAGE LOCATIONS. (DO NOT OVER SHIM)
- FC : FASTENING COMPONENTS**
FC01.02 HINGE SCREW- ANCHOR TO WALL CONSTRUCTION WITH ONE SCREW PER HINGE LEAF, AS SHOWN IN PRODUCT FASTENER SPACING DIAGRAM.
FC01.28 DOOR THRESHOLD- AS REQUIRED, REMOVE EXISTING SCREWS, PRE-DRILL, ADD SEALANT, AND ANCHOR PRODUCT TO OPENING PER PRODUCT FASTENER SPACING DIAGRAM.
- SS : SUBSILL / SILL PANS**
SS01.06 ANCHOR UNIT THRU SUBSILL TO OPENING WITHIN 6" OF ENDS AND 18" ON CENTER (MAXIMUM).
- TM : THERMAL AND MOISTURE PROTECTION**
TM03.01 WATER RESISTANT BACKER ROD AND SEALANT.
TM03.11 CONTINUOUS SEALANT- TURN UP AT JAMBS 6" MINIMUM.
TM03.16 CONTINUOUS SEALANT. ENSURE FIELD APPLIED PERIMETER SEALANT CONNECTS WITH SEALANT ENDS.
TM03.29 APPLY BEAD OF SEALANT AT SILL. ALLOW 2" SPACE IN SEALANT LINE AT CENTER OF OPENING.
- WD : WOOD WINDOW ACCESSORIES**
WD01.01 BACK CALK/ BRICKMOULD AND ANCHOR TO WALL CONSTRUCTION WITH 16G GALVANIZED NAILS WITHIN 6" OF ENDS AND 18" ON CENTER.
WD02.01 WOOD SUBSILL.

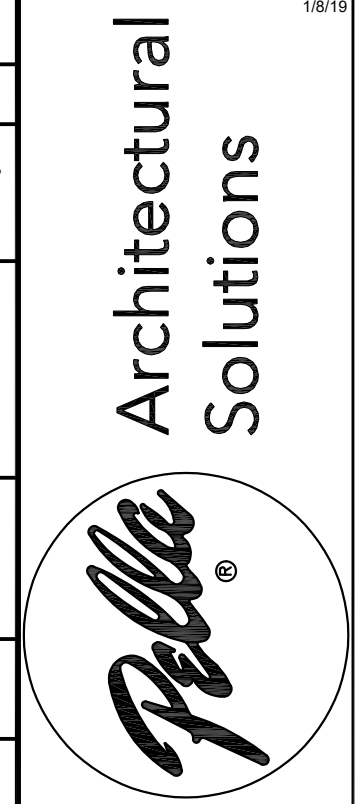
VERIFY EXISTING CONSTRUCTION

REVIEW ALL EXISTING CONSTRUCTION FOR OPENING SIZE & ENSURE STABILITY OF EXISTING MATERIALS. CONFIRM THAT THE PROPOSED DETAILS WILL COMPLY W/ EXISTING FLASHING TO PROVIDE EFFECTIVE WATER MANAGED SYSTEM.

REV:	DATE:				
1					
2					
3					
4					
5					

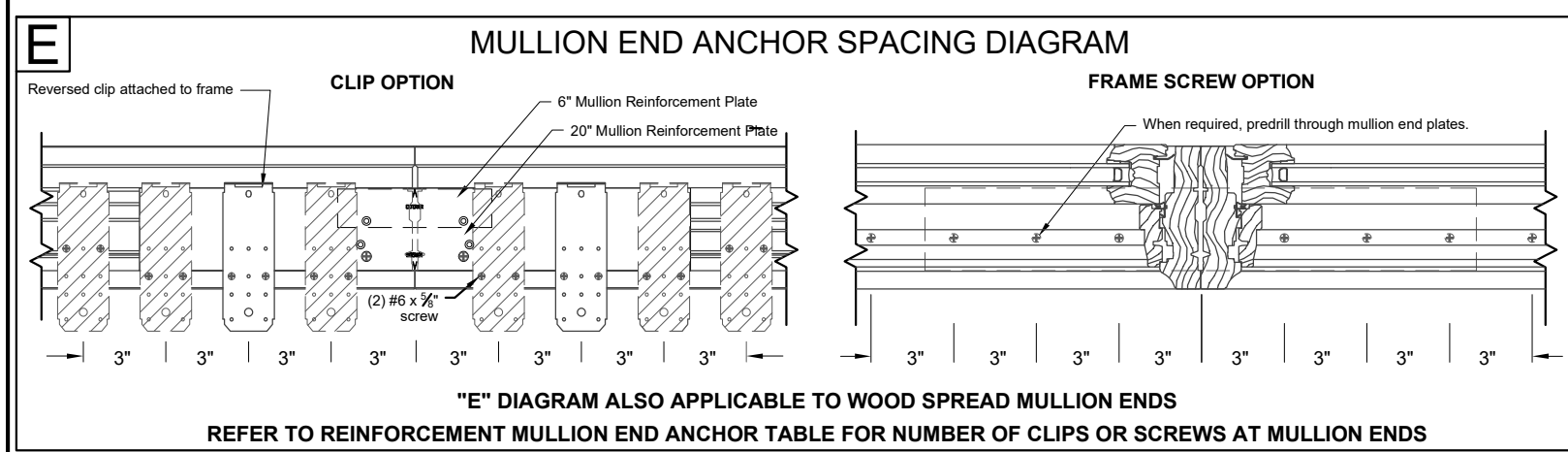
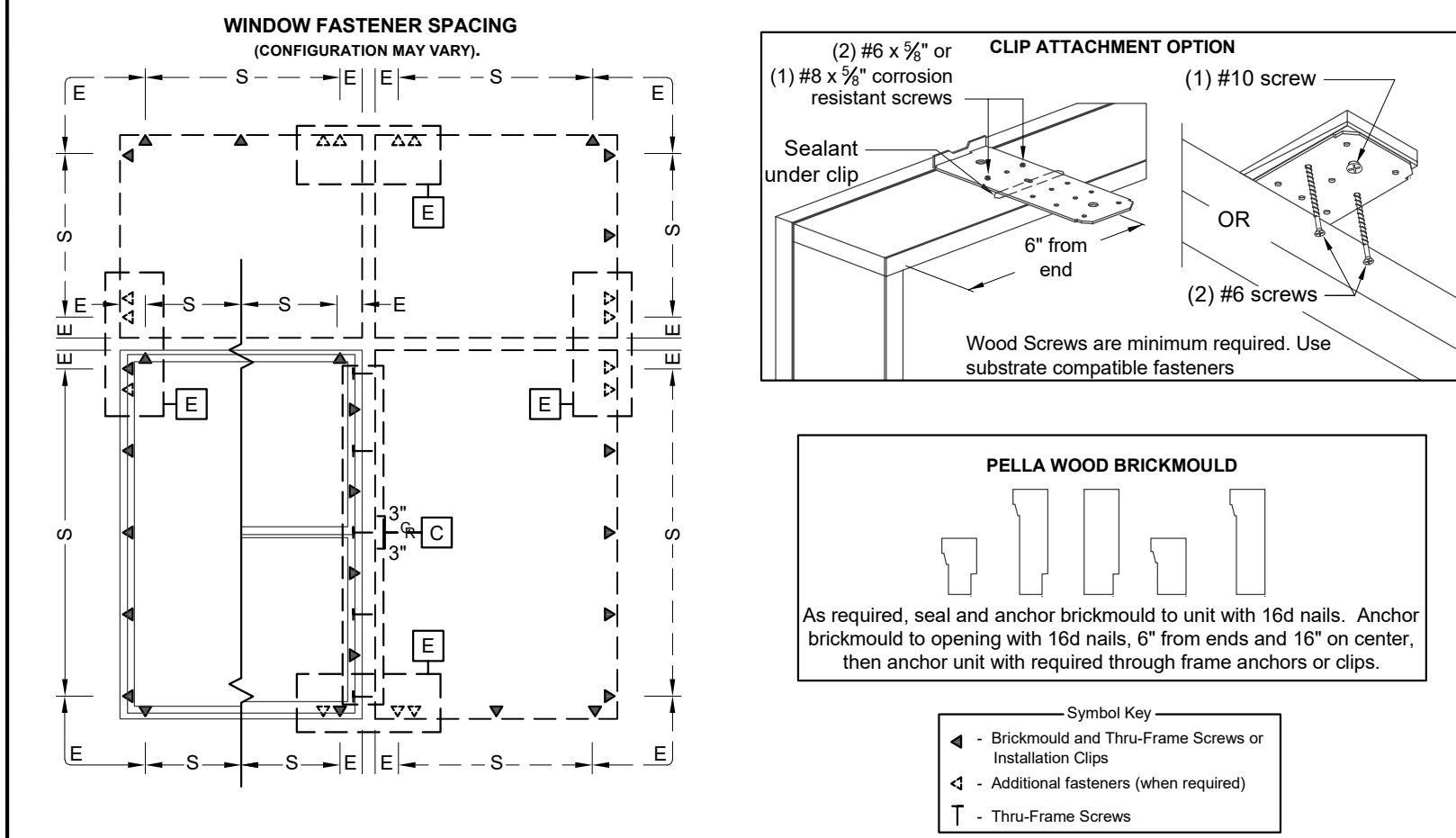
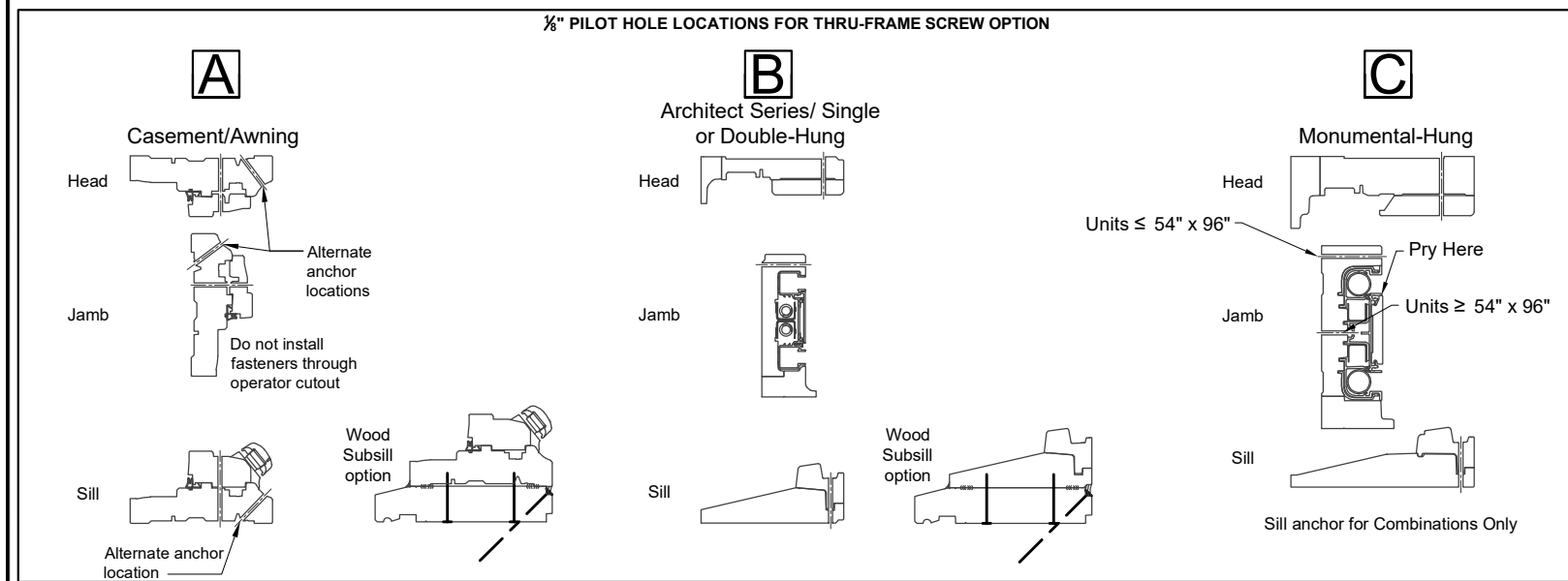
PRELIMINARY DRAWINGS FOR
42 MOUNT VERNON ST UNIT 3B
LOCATION: BOSTON, MA
ARCHITECT: ----

ORIGINAL: 6/24/24
DRAWN BY: ZG
CHECKED BY: JTK
Project No.: 254020
SHEET: 02 OF 03



Product	Product PG or Project PSF	Edge Spacing (E)	Max. Intermediate Spacing (S)	Fasteners			Special Notes	Diagram Reference
				Wood Framing (min 1/2" embed)	Steel Framing	Masonry/Concrete		
Casement/Awning or Fixed Sash in Frame								A
Simulated, Single or Double Hung	All	6"	16"					B
Monumental DH		6" (head & jamb)	16" (head & jamb)	#8 x 3" Screws	#10 self-drilling self-tapping screws w/ 1/2" min. embedment w/ 3 thread min. embedment	3/4" Masonry Screws w/ 1/2" min. embedment	No anchors required at sill	
Monumental DH >54" x 96"	All	6" (head)	16" (head)				Remove sashes and jamb liners. Drive 1 screw through each jamb liner support clip (top, bottom, checkrail and center of each sash). Drive 2 additional screws through the frame (or secure clips) 3" above and below the checkrail on each jamb. Drive additional screws through the frame (or secure clips) centered between each jamb liner support clip. No anchors required at sill.	C
Combinations	All	See Special Notes					Refer to the Reinforcement Mullion End Anchor Table and the diagram below for mullion end anchor fasteners.	E

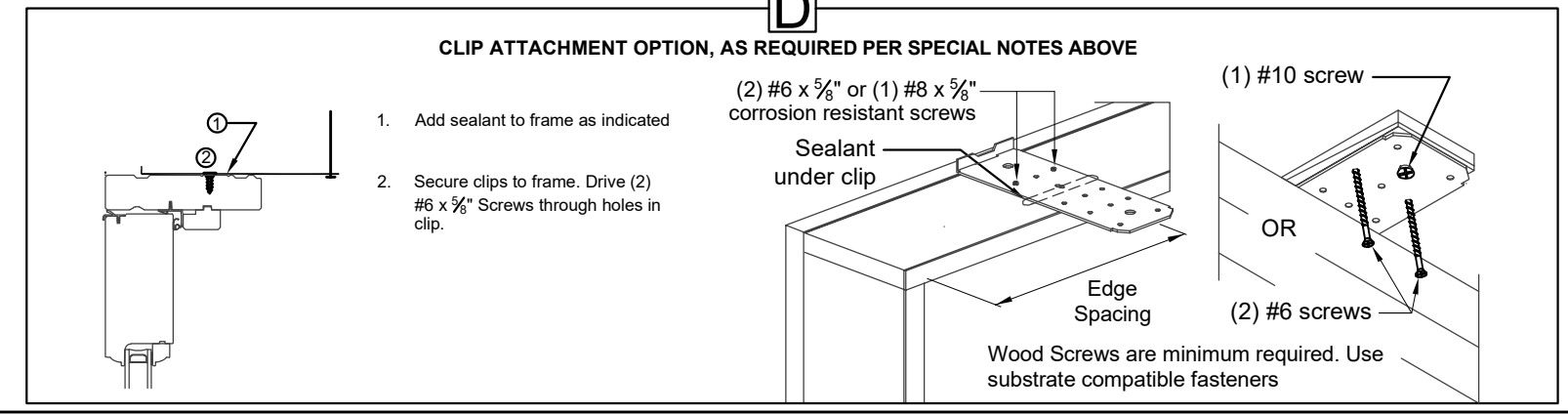
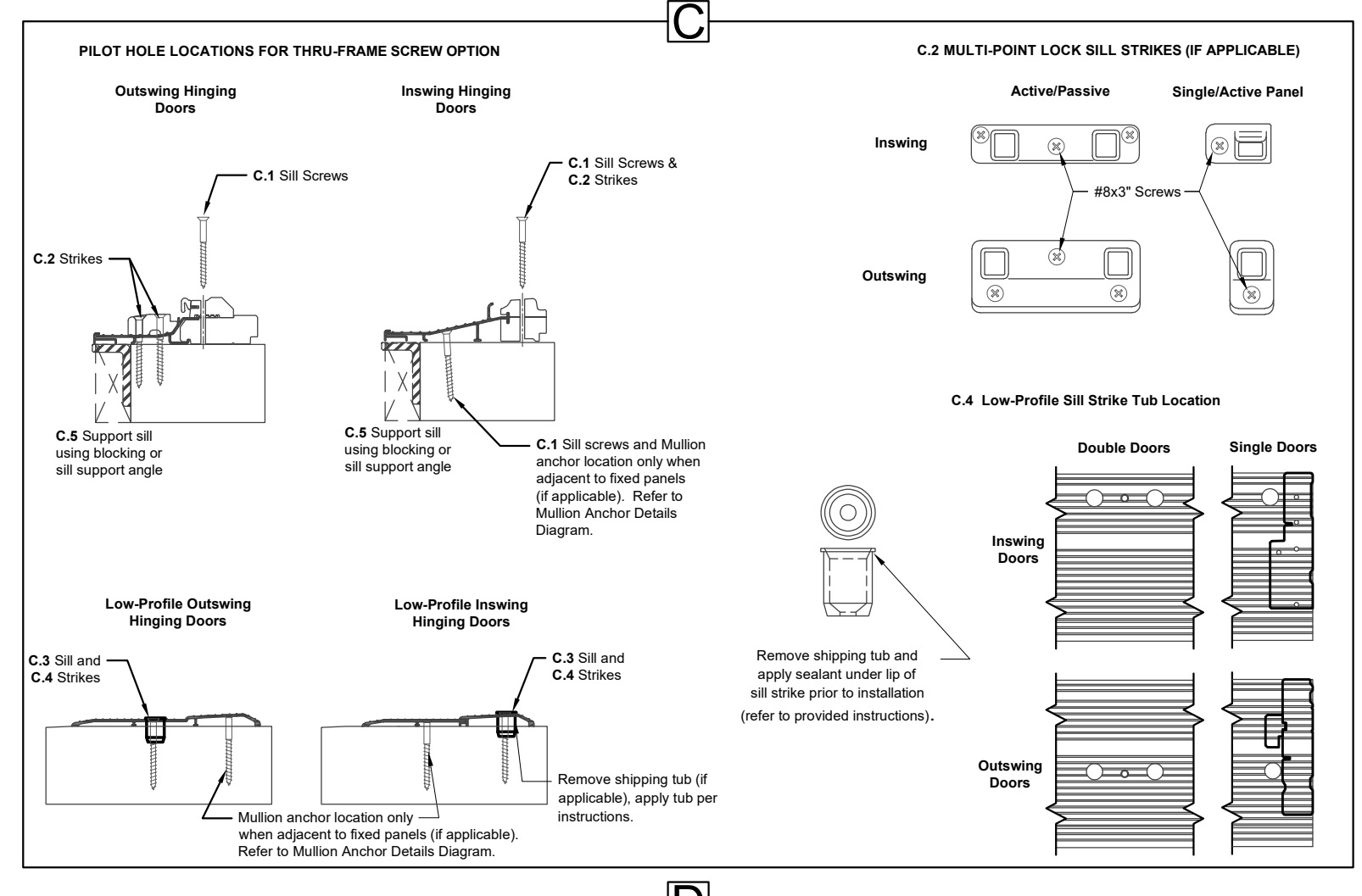
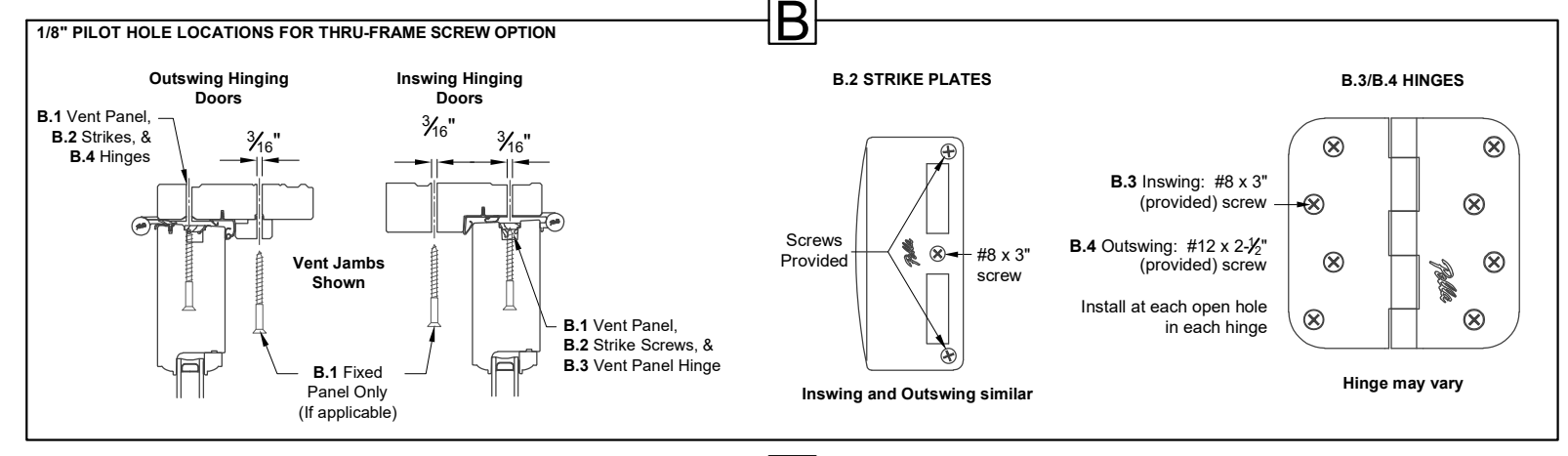
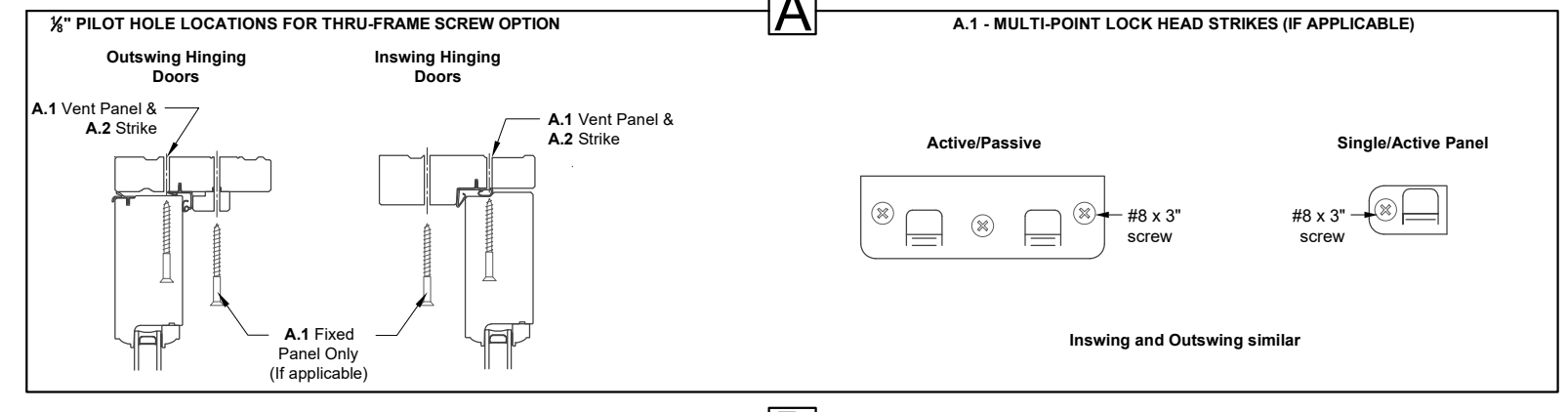
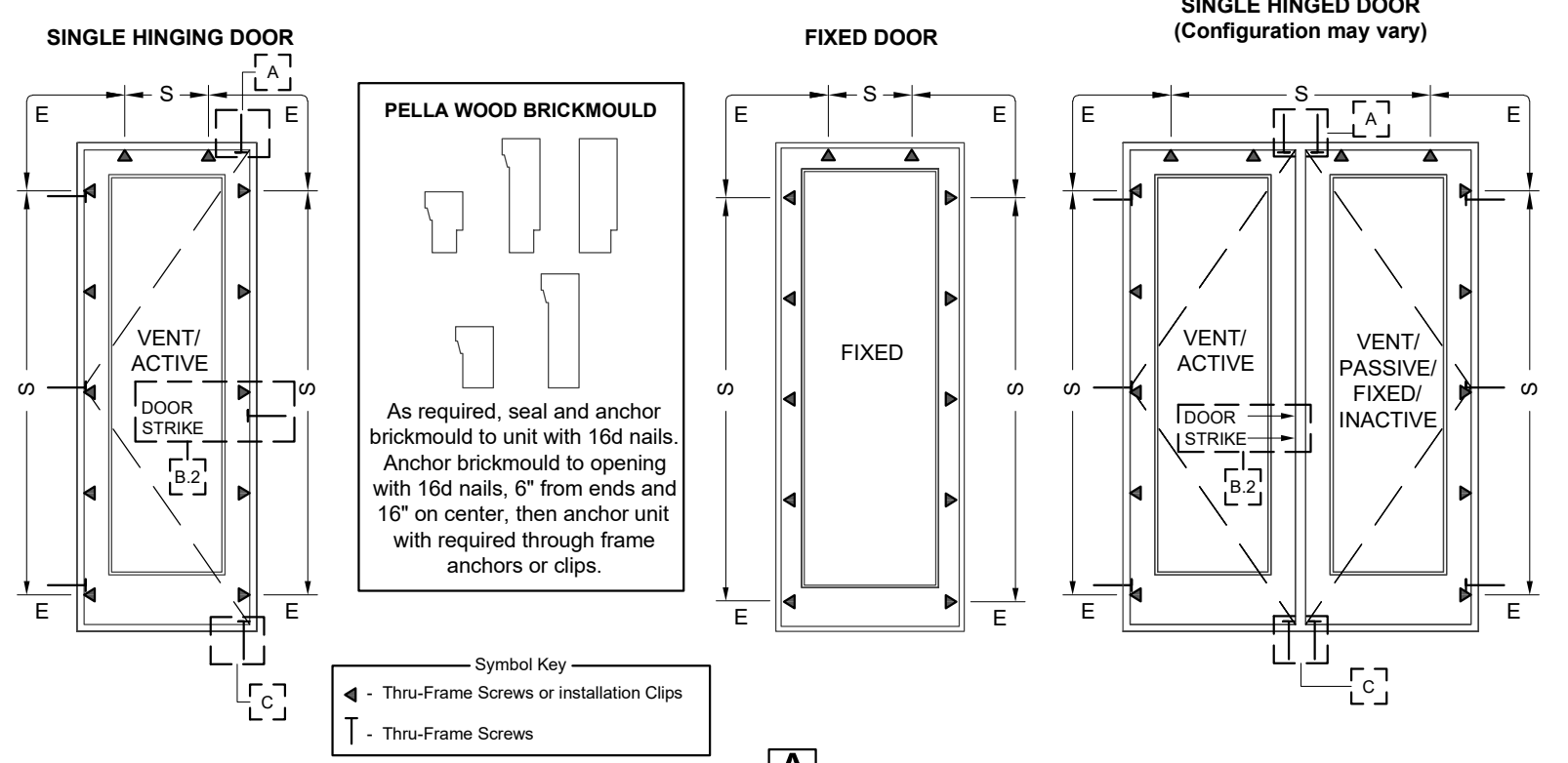
Use corrosion resistant, flat or finish head screws. Confirm wall construction can support all applicable loads. If applicable, refer to Florida Product Approval documents for requirements.



WOOD WINDOW CLIP OR FRAME SCREW FASTENER SPACING

Location	Anchor Spacing	Fasteners ¹			Special Notes / Additional Instructions	Diagrams	
		Edge Spacing (E)	Max Spacing (S)				
Head	Frame Anchors	6"	16"	#10 x 3" Screws (frame screws) or #8 x 1-1/4" (clip)	1/4"	Pre-drill and drive the provided screws thru-frame or attach installation clips	A, D
	Multi-Point Lock Strike	See additional instructions		#8 x 3" Screws (provided)	3/16"	Remove temporary screw(s), pre-drill, and drive provided screw(s) through the strike	A
Jamb	Frame Anchors	6"	18"	#10 x 3" Screws (frame screws) or #8 x 1-1/4" (clip)	1/4"	Pre-drill and drive the provided screws thru-frame or attach installation clips	B, D
	Strike	See additional instructions		#8 x 3" Screws (provided)	3/16"	Shim between the door frame and rough opening, pre-drill, and drive the provided screws in the open hole in each hinge leaf	2
	Inswing Hinges	See additional instructions		#8 x 3" Screws (provided)	3/16"		3
	Outswing Hinges	See additional instructions		#12 x 3" Screws (provided)	1/4"		4
Sill	Frame Anchors	See additional instructions		#10 x 3-1/2" Screws (provided)	1/4"	# >50 psf ³ or as necessary to maintain installation integrity and sill stability; remove temporary screws in the threshold screws, add sealant, and drive provided screws.	1
	Multi-Point Lock Strike	See additional instructions		#8 x 3" Screws (provided)	3/16"	Remove temporary screws, add sealant, and drive provided screws through the strike	2
Low Profile Sill	Frame Anchors	See additional instructions		#10 x 3-1/2" Screws (provided)	1/4"	Add sealant and drive screws through sill at each pre-punched hole	3
	Multi-Point Lock Strike	See additional instructions		#10 x 1-1/2" Screws (provided)	3/16"	Remove shipping tub and install Multi-Point Lock Strike tub(s) per provided instruction	4
Aluminum Sill Support (if applicable)	Every Hole	See additional instructions		#8 x 3/4" Screws (provided)		Available separately - consult your local Pella representative	5

¹ Use corrosion resistant, modified truss, k-lath, or waler head screws. Confirm wall construction can support all wind loads.
² For steel framing, add wood infill within steel studs to utilize provided wood screws.
³ Masonry screws require 1-1/4" minimum embedment.
⁴ Project Design Pressure - Refer to Components and Cladding Design Pressure table on cover sheet.



WOOD HINGED DOOR CLIP AND FRAME SCREW FASTENER SPACING

REV:	DATE:				
REV:	DATE:				
REV:	DATE:				
REV:	DATE:				