

South End Historic District Review

Property: 14 Dartmouth Place, #2

Proposal: Exterior Vent

M + K BUILDERS

Boston, MA

Overview of the work

14 Dartmouth Place Unit #2 is seeking a solution to ventilate an existing bathroom located at the front (street-facing, Dartmouth Place) of the unit. Currently, ventilation for the unit bathroom does not exist and therefore does not meet the Massachusetts code requirement to ventilate a bathroom.

The unit owners and General Contractor have explored all possible options for meeting this code requirement for bathroom ventilation, including routing duct to the top of the unit (through 4 other individually-owned condos) or venting to the back of the unit. Due to physical restrictions and code limitations for length of ducting, the only possible solution is ventilation at the front of the unit, street-facing on Dartmouth Place.

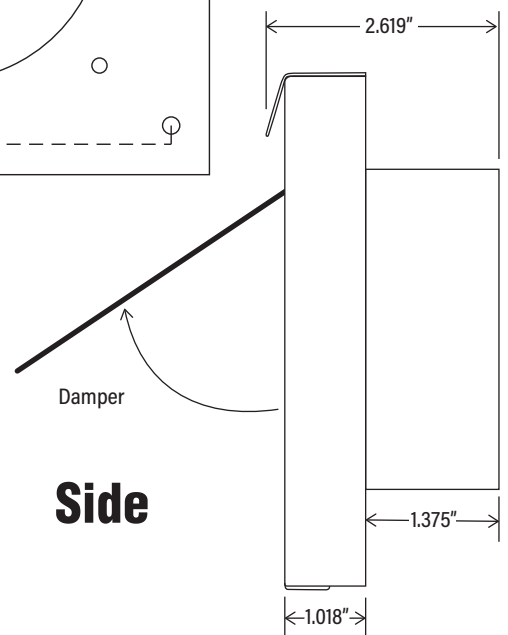
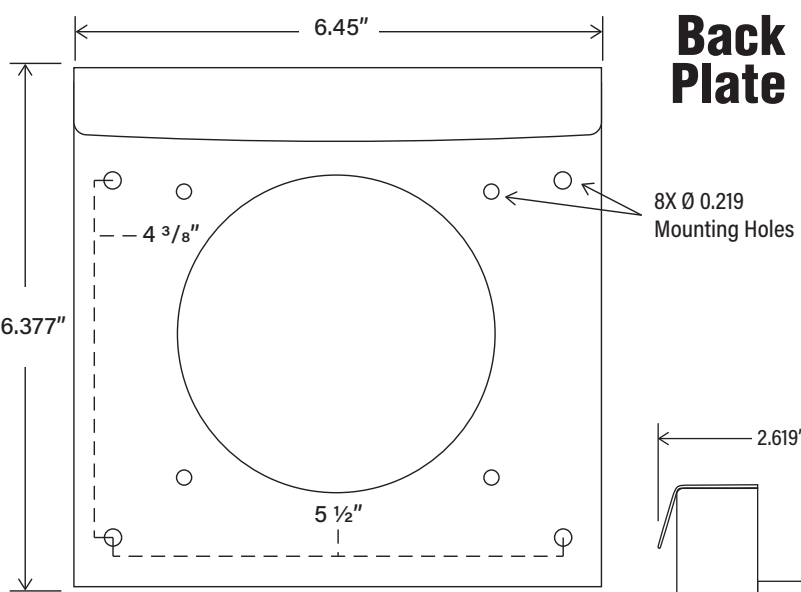
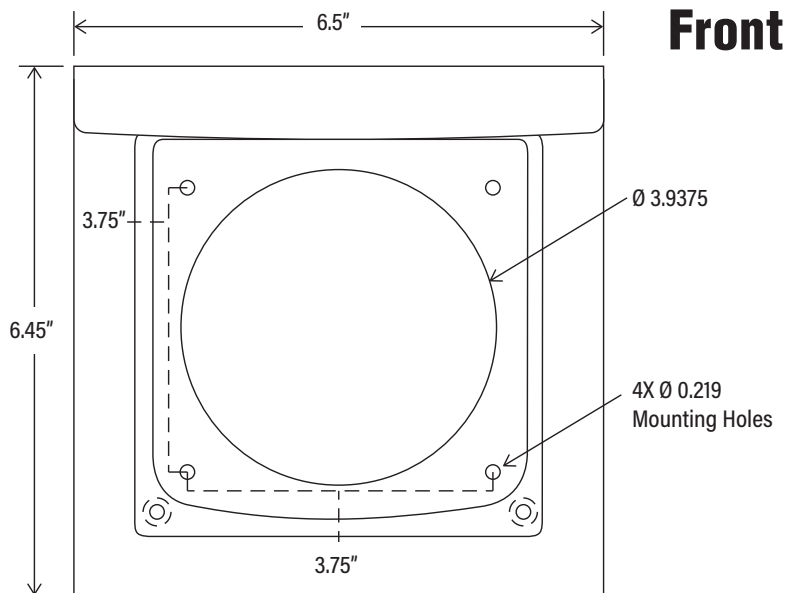
The unit owners and General Contractor propose to penetrate at the ground level with a 4" diameter pipe, covered with a vent. Reference below materials for proposed vent cut sheet, proposed vent location, and similar details at other units located on Dartmouth Place

M + K BUILDERS

Boston, MA



Technical Product Specifications



Model Number	Color
DWV4W	White
DWV4T	Tan
DWV4B	Brown
DWV4K	Black

Performance Data

Product Use:

- Venting Dryer Exhaust Systems Through Exterior Walls
- Complies w/ IMC 504.4 & IRC 1502.3

Materials:

- Heavy Gauge Galvalume® Steel Housing
- Lightweight Gauge Galvalume® Damper
- Polyester TGIC Weather Resistant Powder Coating

General Information

Benefits:

- Improves Aesthetics with Flush Installation
- Installs Easily in New and Existing Construction
- Simplifies Duct Cleaning with Easy Accessibility
- Deters Bird and Rodent Entry
- Maximizes Airflow Efficiency
- Helps Minimize Dryer Cycle Times
- Extra Protection Against the Elements

Features:

- Deep Drawn Manufacturing Process
- Galvalume® & Powder Coated Steel Construction
- Lightweight Damper and Heavier Frame
- Recessed Gravity Damper & Integrated Magnets
- Integrated Secondary Back Plate with Wider Mounting Holes
- Built-in Drip Edge
- Damper Opens Freely to 110°
- Low Strength Closure Magnets
- Rubber Bumpers Support Quiet Closing Damper
- Eight Built-in Mounting Holes
- **Stocked in 4 Colors: White, Tan, Brown and Black**

Manufactured By

InOvate Technologies, Inc.
 250 S. Central Blvd. Suite 207
 Jupiter, FL 33458
 Phone: (888) 443-7937
 Fax: (561) 745-9723
<https://dryerwallvent.com>

Proposed vent details - Option 1 Black

The proposed vent is a black finished 4" dryer duct wall vent with no collar. Proposed fixture is flat, low profile, and does not extrude significantly from exterior wall.



M + K BUILDERS

Boston, MA

Proposed vent details - Option 2 Brown

The proposed vent OPTION 2 is a brown finished 4" dryer duct wall vent with no collar. Proposed fixture is flat, low profile, and does not extrude significantly from exterior wall.

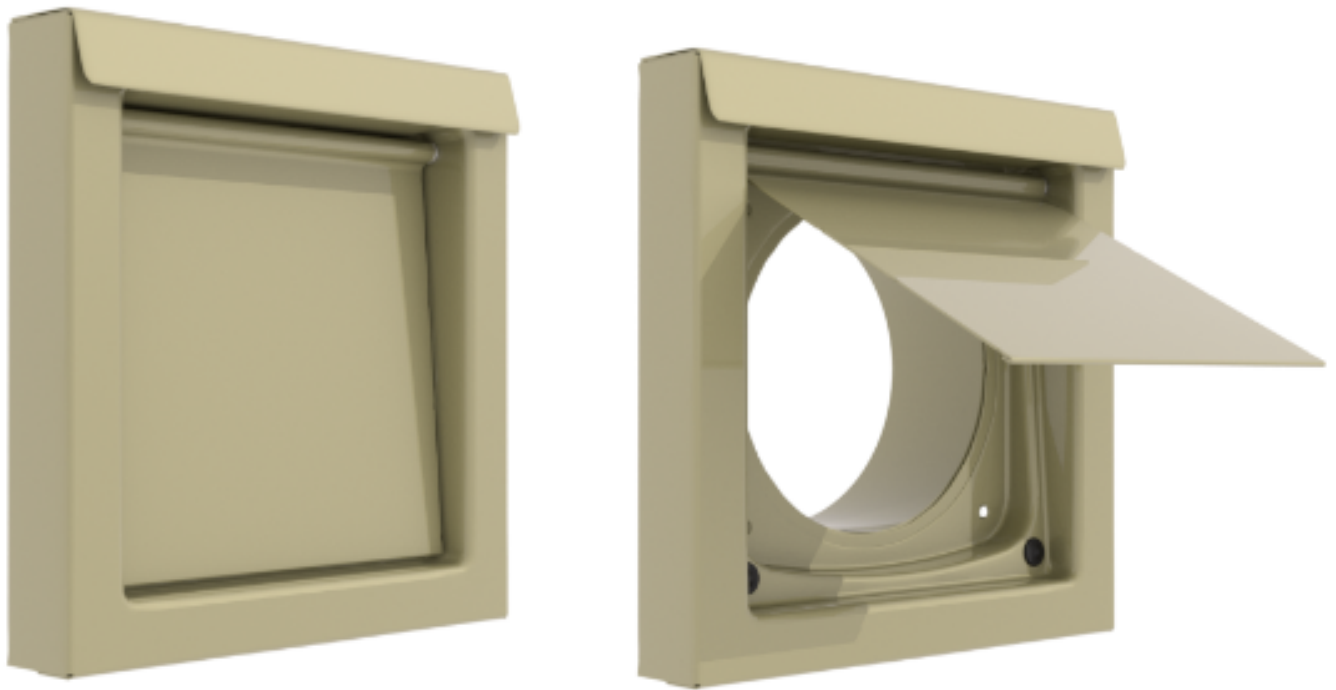


M + K BUILDERS

Boston, MA

Proposed vent details - Option 3 Tan

The proposed vent OPTION 3 is a tan finished 4" dryer duct wall vent with no collar. Proposed fixture is flat, low profile, and does not extrude significantly from exterior wall.

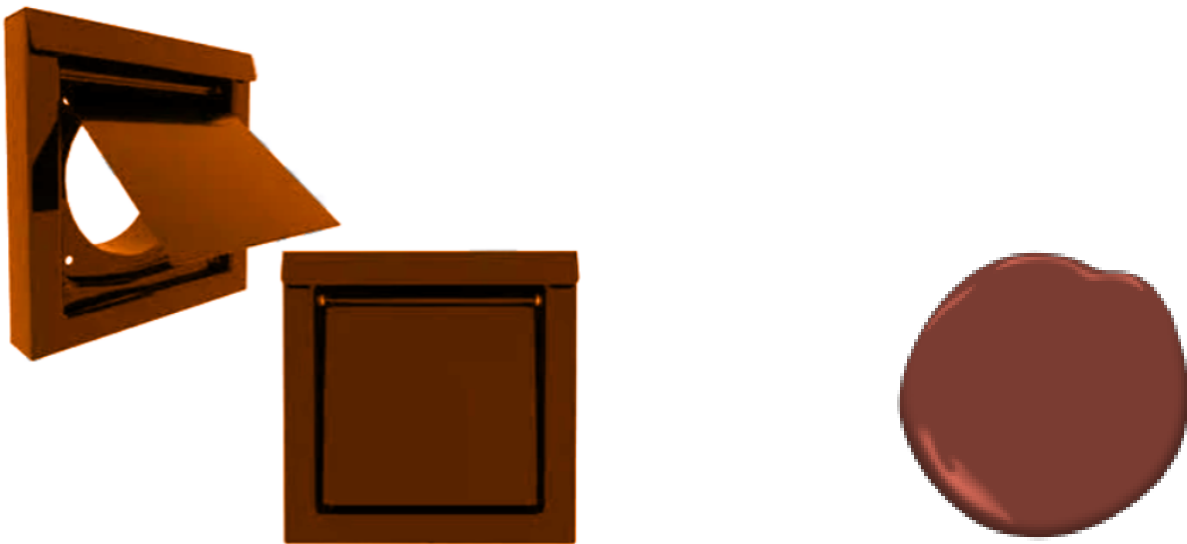


M + K BUILDERS

Boston, MA

Proposed vent details - Option 4 Brick Paint Color Match

The proposed vent OPTION 4 is a painted brick red 4" dryer duct wall vent with no collar. Proposed fixture is flat, low profile, and does not extrude significantly from exterior wall.



Mock-Up is for
visualization
purposes only

Benjamin Moore
"Brick Red"
2084 - 10

M + K BUILDERS

Boston, MA

Proposed vent location

Shown with Option 1 - Black finish



View 1: Proposed location for new vent at 14 Dartmouth Place. Vent to be placed at 3" off sidewalk elevation to bottom of vent, 8" off of downspout. Vent shown to scale.

M + K BUILDERS

Boston, MA

Proposed vent location

Shown with Brick Red paint option



M + K BUILDERS

Boston, MA

Similar existing details, Dartmouth Place



For reference: existing vent located at 7 Dartmouth Place

M + K BUILDERS
Boston, MA

Similar existing details, Dartmouth Place



For reference: existing vent located at 2 Dartmouth Place

Similar existing details, Dartmouth Place



For reference: existing vents located at 18 Dartmouth Place

Similar existing details, Dartmouth Place



For reference: existing vents located at 20 Dartmouth Place

M + K BUILDERS
Boston, MA

Contact information

Kelsey and Mark Finnegan

(978)-500-7967

mdfinneganjr@gmail.com

M + K BUILDERS

Boston, MA