

APPROVED
Design Section
BOSTON REDEVELOPMENT AUTHORITY
Design Review
for the
Board of Appeal
10/12/2022

M. Cannizzo
Signature



COMCAST

PROJECT TYPE: NEW SITE BUILD - ROOFTOP

SITE NAME: INDIA STREET

SITE NUMBER: BOS-M00006

SITE ADDRESS: 131 STATE ST,
BOSTON, MA 02109

SITE TYPE: ROOF TOP



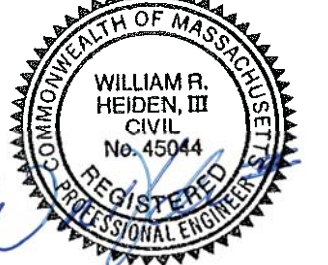
1701 JFK BLVD.
PHILADELPHIA, PA 19103



6355 Constitution Drive, Suite A
Fort Wayne, IN 46804

REV	DATE	DESCRIPTION	BY
C	07-07-22	PRELIM CDs	M1
D	08-03-22	PRELIM CDs	M1
E	08-25-22	PRELIM CDs - 90%	M1
F	09-08-22	ZONING DRAWINGS	M1
G	09-14-22	PRELIM CDs - 90%	M1
H	09-26-22	ZONING DRAWINGS	M1

I HEREBY CERTIFY THAT THESE DRAWINGS WERE PREPARED BY ME OR UNDER MY DIRECT SUPERVISION AND CONTROL, AND TO THE BEST OF MY KNOWLEDGE AND BELIEF COMPLY WITH THE REQUIREMENTS OF ALL APPLICABLE CODES.



October 02, 2022

PROJECT TYPE:
NEW SITE BUILD - ROOFTOP

SITE NAME & NUMBER:
INDIA STREET
BOS-M00006

SITE ADDRESS
131 STATE ST,
BOSTON MA 02109

SHEET NAME
TITLE SHEET

SHEET NUMBER
T-1

PROJECT INFORMATION

SITE NAME: INDIA STREET
SITE ADDRESS: 131 STATE ST,
BOSTON, MA 02109
SITE TYPE: ROOFTOP
JURISDICTION: CITY OF BOSTON
APN: 0303823000
ZONING CLASSIFICATION: 0013
OCCUPANCY TYPE: MULTIPLE USE PROPERTY / RES / COMMERCIAL USE
CONSTRUCTION FEE: TBD

APPLICANT: COMCAST CABLE COMMUNICATIONS MANAGEMENT
ADDRESS: ONE COMCAST CENTER, 1701 JOHN F. KENNEDY BLVD.
PHILADELPHIA, PA 19103-2838

CONTACT: DARREN SNODGRASS
PHONE: (317) 979-1212
EMAIL: DARREN_SNODGRASS@COMCAST.COM

SITE COORDINATES:
LATITUDE: 42.358984 (1A)
LONGITUDE: -71.054235 (1A)
GROUND ELEV. (ASML): 11.0' AMSL (1A)

PROPERTY OWNER: TISHMAN SPEYER ARCHSTONE
CONTACT: JESSICA HUGHES
PHONE: 212-715-0300
EMAIL: JHUGHES@TISHMANSPEYER.COM

PROPERTY MANAGER: SBA
CONTACT: ROBERT ROBESKI
PHONE: 800-551-7483 EXT. 2245
EMAIL: RROBESKI@SBASITE.COM
LANDLORD SITE NUMBER: MA35667-M

SCOPE OF WORK

THE SCOPE OF WORK CONSISTS OF BUT IS NOT LIMITED TO:
(3) NEW ALPHA WIRELESS AW3933-E-F ANTENNA
(3) NEW SAMSUNG RF4435D-71A RRU
(3) NEW RFS JUNCTION BOXES
(1) NEW EQUIPMENT CABINET AND (1) OVP
(1) NEW 12 POSITION DISTRIBUTION PANEL
(3) NEW HYBRID CABLES AND (24) RF JUMPERS
(2) NEW ANTENNA WALL MOUNTS AND (1) NEW UNISTRUT FRAME

- CONTRACTOR SHALL FURNISH ALL MATERIAL WITH THE EXCEPTION OF COMCAST SUPPLIED MATERIAL
- ALL MATERIAL SHALL BE INSTALLED BY THE CONTRACTOR, UNLESS STATED OTHERWISE

APPLICABLE BUILDING CODES AND STANDARDS

ALL WORK AND MATERIALS SHALL BE PERFORMED AND INSTALLED IN ACCORDANCE WITH THE CURRENT EDITIONS OF THE FOLLOWING CODES ADOPTED BY THE LOCAL GOVERNING AUTHORITIES.

BUILDING CODE: MASSACHUSETTS STATE BUILDING CODE STATE BOARD OF BUILDING REGULATIONS & STANDARDS

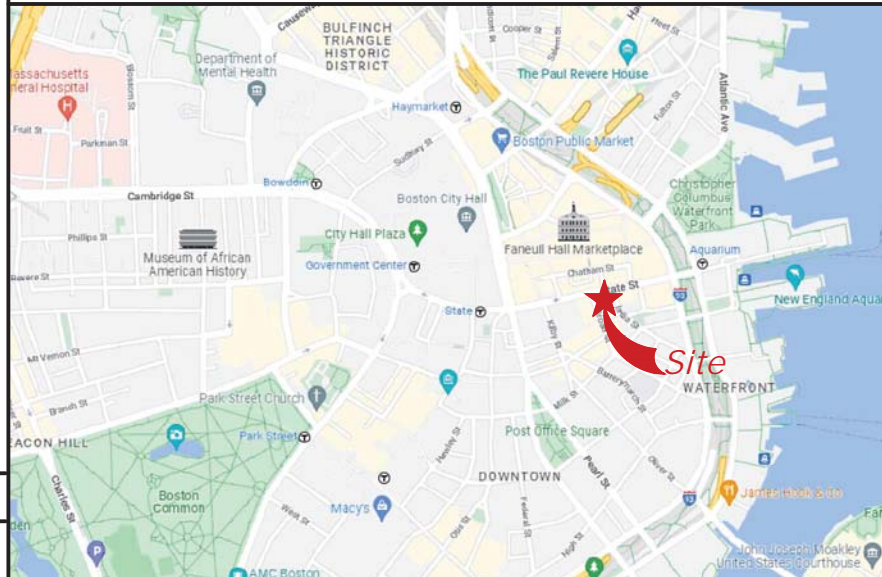
ELECTRICAL CODE: MASSACHUSETTS STATE BUILDING CODE STATE BOARD OF BUILDING REGULATIONS & STANDARDS

- FACILITY IS UNMANNED AND NOT FOR HUMAN HABITATION
- ADA ACCESS REQUIREMENTS ARE NOT REQUIRED
- THIS FACILITY DOES NOT REQUIRE POTABLE WATER AND WILL NOT PRODUCE ANY SEWAGE

DRAWING INDEX

A-1	TITLE SHEET
C-1	OVERALL SITE PLAN
C-2	SITE PLAN
C-3	BUILDING ELEVATIONS
C-4	BUILDING ELEVATIONS
C-5	EQUIPMENT LAYOUT
C-6	ANTENNA LAYOUTS AND EQUIPMENT SCHEDULE
C-7	ANTENNA ELEVATION DETAILS
C-8	ANTENNA ELEVATION DETAILS
C-9	EQUIPMENT DETAILS
C-10	EQUIPMENT DETAILS

SITE LOCATION MAP



DIRECTIONS

SCAN QR CODE FOR LINK TO SITE LOCATION MAP



APPROVALS

SITE ACQUISITION	
CONSTRUCTION MANAGER	
RF ENGINEER	
LANDLORD	

PROJECT CONSULTANTS

PROJECT MANAGER: COMCAST CABLE COMMUNICATIONS MANAGEMENT
ADDRESS: ONE COMCAST CENTER, 1701 JOHN F. KENNEDY BLVD.
PHILADELPHIA, PA 19103-2838
CONTACT: DARREN SNODGRASS
PHONE: (317) 979-1212
EMAIL: DARREN_SNODGRASS@COMCAST.COM

ENGINEER: MISSION 1 COMMUNICATIONS
ADDRESS: 6355 CONSTITUTION DR, SUITE A
FORT WAYNE, IN 46804
PHONE: (260) 436-3922

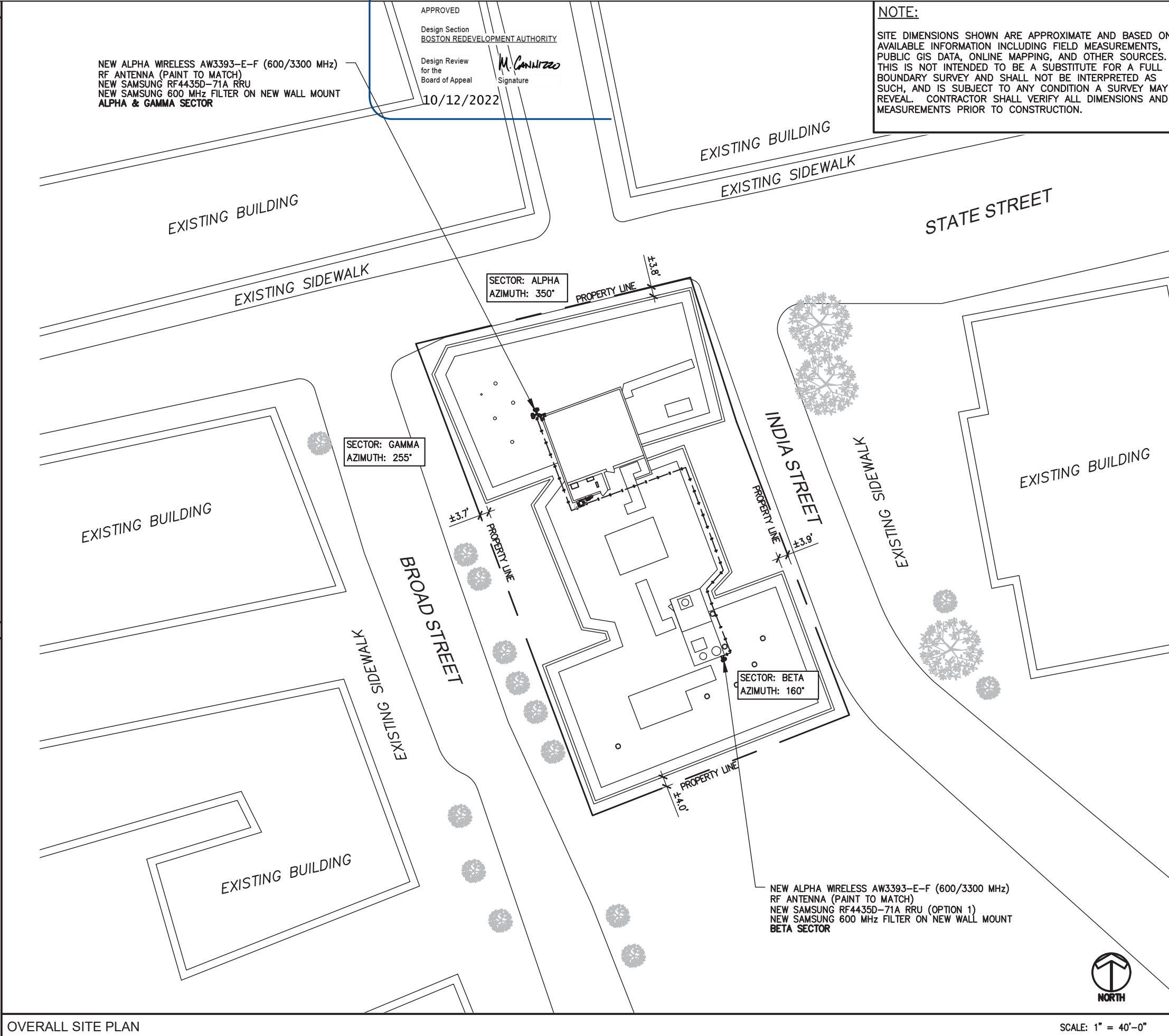


ABBREVIATIONS

AFF	ABOVE FINISHED FLOOR
AFG	ABOVE FINISHED GRADE
AGL	ABOVE GROUND LEVEL
AMSL	ABOVE MEAN SEA LEVEL
APPROX	APPROXIMATE
ATS	AUTOMATIC TRANSFER SWITCH
AWG	AMERICAN WIRE GAUGE
BLDG	BUILDING
BBU	BASE BAND UNIT
CL	CENTERLINE
CLR	CLEAR
COL	COLUMN
CONC	CONCRETE
CND	CONDUIT
CRAN	CENTRALIZED RAN
C-RAN	CLOUD RAN
DWG	DRAWING
FT	FOOT(FEET)
EGB	EQUIPMENT GROUND BAR
ELEC	ELECTRICAL
EMT	ELECTRICAL METALLIC TUBING
ELEV	ELEVATION
EQUIP	EQUIPMENT
(E)	EXISTING
EXT	EXTERIOR
FND	FOUNDATION
F	FIBER
GA	GAUGE
GALV	GALVANIZED
GPS	GLOBAL POSITIONING SYSTEM
GND	GROUND
GSM	GLOBAL SYSTEM FOR MOBILE COMMUNICATION
LTE	LONG TERM EVOLUTION
MAX	MAXIMUM
MFR	MANUFACTURER
MGB	MASTER GROUND BAR
MIN	MINIMUM
MIMO	MULTIPLE IN MULTIPLE OUT
N.T.S.	NOT TO SCALE
O.C.	ON CENTER
P/F	POWER / FIBER
PPC	POWER PROTECTION CABINET
R	PROPERTY LINE
RAN	RADIO ACCESS NETWORK
RBS	RADIO BASED STATION
RRH	REMOTE RADIO HEAD
RGS	RIGID GALVANIZED STEEL
IN	INCH(ES)
INT	INTERIOR
LB(S), #	POUND(S)
SF	SQUARE FOOT
STL	STEEL
TYP	TYPICAL
UNO	UNLESS NOTED OTHERWISE
UMTS	UNIVERSAL MOBILE TELE-COMMUNICATION SYSTEM
VIF	VERIFY IN FIELD
W/	WITH
XFMR	TRANSFORMER

SYMBOLS

	REVISION
	WORK POINT
	UTILITY POLE
	BRICK
	COMPRESSED STONE
	CONCRETE
	EARTH
	GRAVEL
	MASONRY
	STEEL
	CENTERLINE
	PROPERTY LINE
	LEASE LINE
	EASEMENT LINE
	FENCE
	CHAINLINK
	WOOD
	WROUGHT IRON
	ELECTRIC
	OVERHEAD
	UNDERGROUND
	FIBER
	OVERHEAD
	UNDERGROUND
	TELEPHONE
	OVERHEAD
	UNDERGROUND
	DCPOWER
	SECTION REFERENCE



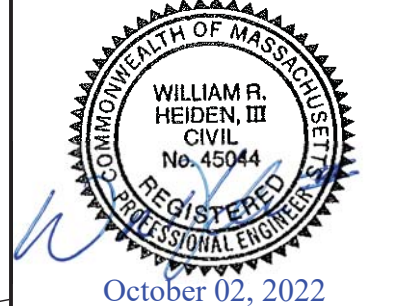
APPROVED
Design Section
BOSTON REDEVELOPMENT AUTHORITY
Design Review
for the
Board of Appeal
10/12/2022
M. Cannizzo
Signature

NOTE:
SITE DIMENSIONS SHOWN ARE APPROXIMATE AND BASED ON AVAILABLE INFORMATION INCLUDING FIELD MEASUREMENTS, PUBLIC GIS DATA, ONLINE MAPPING, AND OTHER SOURCES. THIS IS NOT INTENDED TO BE A SUBSTITUTE FOR A FULL BOUNDARY SURVEY AND SHALL NOT BE INTERPRETED AS SUCH, AND IS SUBJECT TO ANY CONDITION A SURVEY MAY REVEAL. CONTRACTOR SHALL VERIFY ALL DIMENSIONS AND MEASUREMENTS PRIOR TO CONSTRUCTION.

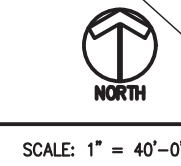


REV	DATE	DESCRIPTION	BY
C	07-07-22	PRELIM CDs	M1
D	08-03-22	PRELIM CDs	M1
E	08-25-22	PRELIM CDs - 90%	M1
F	09-08-22	ZONING DRAWINGS	M1
G	09-14-22	PRELIM CDs - 90%	M1
H	09-26-22	ZONING DRAWINGS	M1

I HEREBY CERTIFY THAT THESE DRAWINGS WERE PREPARED BY ME OR UNDER MY DIRECT SUPERVISION AND CONTROL, AND TO THE BEST OF MY KNOWLEDGE AND BELIEF COMPLY WITH THE REQUIREMENTS OF ALL APPLICABLE CODES.



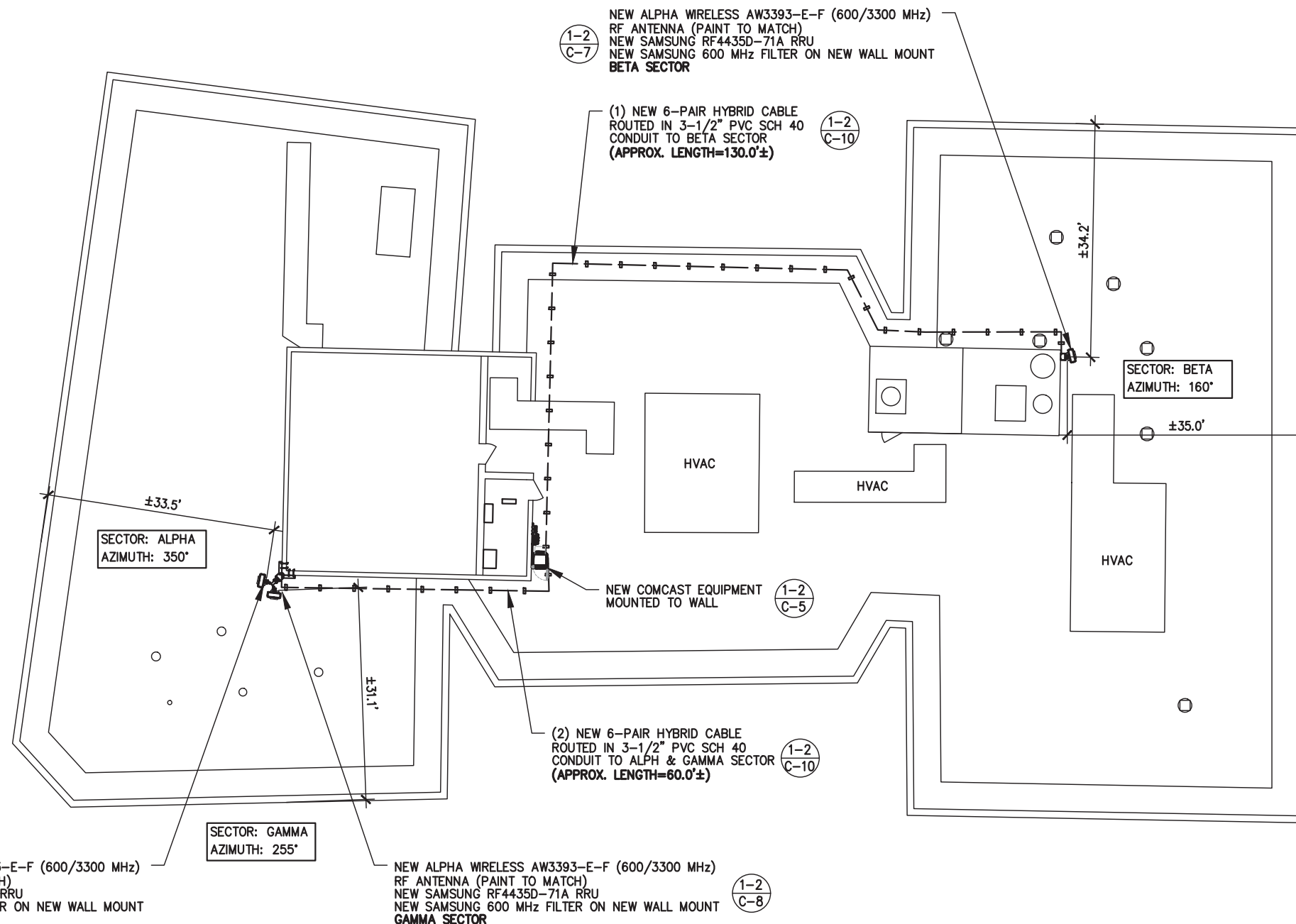
PROJECT TYPE: NEW SITE BUILD - ROOFTOP
SITE NAME & NUMBER: INDIA STREET BOS-M00006
SITE ADDRESS: 131 STATE ST, BOSTON MA 02109
SHEET NAME: OVERALL SITE PLAN
SHEET NUMBER: C-1



OVERALL SITE PLAN

NOTE:

SITE DIMENSIONS SHOWN ARE APPROXIMATE AND BASED ON AVAILABLE INFORMATION INCLUDING FIELD MEASUREMENTS, PUBLIC GIS DATA, ONLINE MAPPING, AND OTHER SOURCES. THIS IS NOT INTENDED TO BE A SUBSTITUTE FOR A FULL BOUNDARY SURVEY AND SHALL NOT BE INTERPRETED AS SUCH, AND IS SUBJECT TO ANY CONDITION A SURVEY MAY REVEAL. CONTRACTOR SHALL VERIFY ALL DIMENSIONS AND MEASUREMENTS PRIOR TO CONSTRUCTION



1701 JFK BLVD.
 PHILADELPHIA, PA 19103

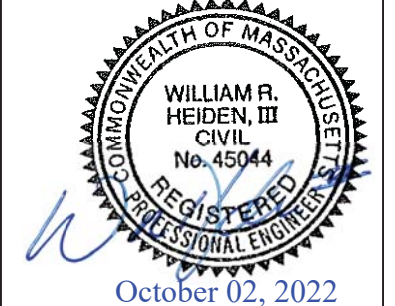


MISSION 1
 COMMUNICATIONS

6355 Constitution Drive, Suite A
 Fort Wayne, IN 46804

REV	DATE	DESCRIPTION	BY
C	07-07-22	PRELIM CDs	M1
D	08-03-22	PRELIM CDs	M1
E	08-25-22	PRELIM CDs - 90%	M1
F	09-08-22	ZONING DRAWINGS	M1
G	09-14-22	PRELIM CDs - 90%	M1
H	09-26-22	ZONING DRAWINGS	M1

I HEREBY CERTIFY THAT THESE DRAWINGS WERE PREPARED BY ME OR UNDER MY DIRECT SUPERVISION AND CONTROL, AND TO THE BEST OF MY KNOWLEDGE AND BELIEF COMPLY WITH THE REQUIREMENTS OF ALL APPLICABLE CODES.



PROJECT TYPE:

NEW SITE BUILD -
 ROOFTOP

SITE NAME & NUMBER:

INDIA STREET
 BOS-M00006

SITE ADDRESS

131 STATE ST,
 BOSTON MA 02109

SHEET NAME

SITE PLAN

SHEET NUMBER

C-2



NOTES:

1. CALCULATIONS FOR THE STRUCTURE AND ANTENNA MOUNTS HAVE BEEN PREPARED BY OTHERS.
2. CABLES NOT SHOWN FOR CLARITY.
3. CABLES TO BE ROUTED PER PASSING STRUCTURAL ANALYSIS.

APPROVED

Design Section
BOSTON REDEVELOPMENT AUTHORITY

Design Review
for the
Board of Appeal *M. Cannizzo*
Signature

10/12/2022



1701 JFK BLVD.
PHILADELPHIA, PA 19103

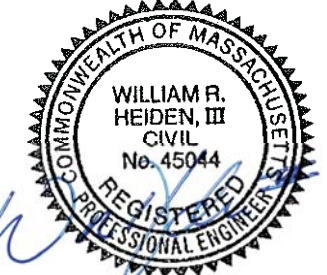


MISSION 1
COMMUNICATIONS

6355 Constitution Drive, Suite A
Fort Wayne, IN 46804

REV	DATE	DESCRIPTION	BY
C	07-07-22	PRELIM CDs	M1
D	08-03-22	PRELIM CDs	M1
E	08-25-22	PRELIM CDs - 90%	M1
F	09-08-22	ZONING DRAWINGS	M1
G	09-14-22	PRELIM CDs - 90%	M1
H	09-26-22	ZONING DRAWINGS	M1

I HEREBY CERTIFY THAT THESE DRAWINGS WERE PREPARED BY ME OR UNDER MY DIRECT SUPERVISION AND CONTROL, AND TO THE BEST OF MY KNOWLEDGE AND BELIEF COMPLY WITH THE REQUIREMENTS OF ALL APPLICABLE CODES.



October 02, 2022

PROJECT TYPE:

NEW SITE BUILD -
ROOFTOP

SITE NAME & NUMBER:

INDIA STREET
BOS-M00006

SITE ADDRESS

131 STATE ST.
BOSTON MA 02109

SHEET NAME

BUILDING ELEVATIONS

SHEET NUMBER

C-3

1-2
C-8
NEW ALPHA WIRELESS AW3393-E-F (600/3300 MHz)
RF ANTENNA
NEW SAMSUNG RF4435D-71A RRU
NEW SAMSUNG 600 MHz FILTER ON NEW WALL MOUNT
ALPHA & GAMA SECTOR

NEW ALPHA WIRELESS AW3393-E-F (600/3300 MHz)
RF ANTENNA
NEW SAMSUNG RF4435D-71A RRU
NEW SAMSUNG 600 MHz FILTER ON NEW WALL MOUNT
BETA SECTOR

1-2
C-7

NEW ALPHA WIRELESS AW3393-E-F (600/3300 MHz)
RF ANTENNA
NEW SAMSUNG RF4435D-71A RRU
NEW SAMSUNG 600 MHz FILTER ON NEW WALL MOUNT
ALPHA & GAMA SECTOR

1-2
C-8

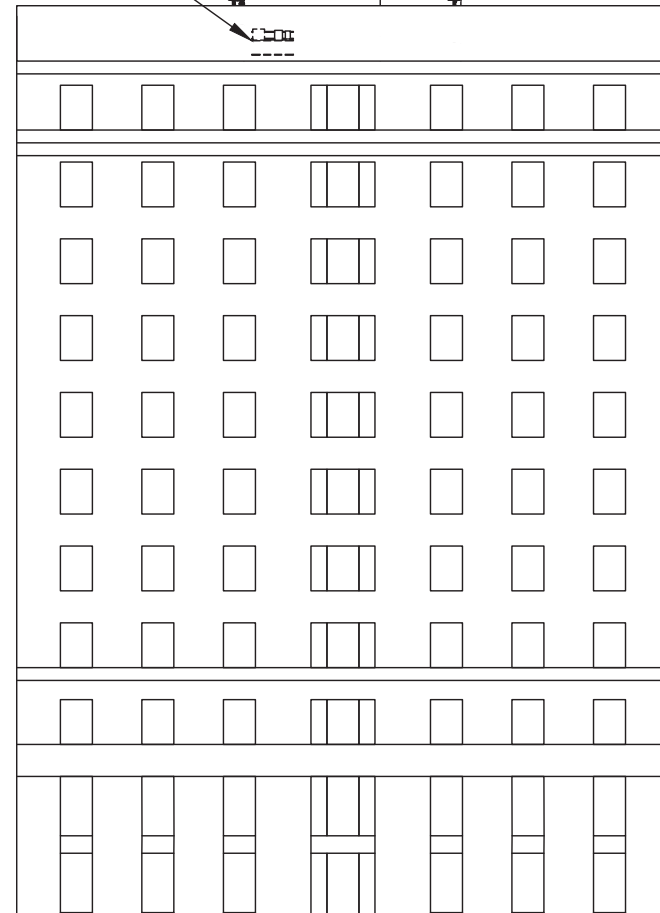
NEW ALPHA WIRELESS AW3393-E-F (600/3300 MHz) RF ANTENNA
(600/3300 MHz) RF ANTENNA
NEW SAMSUNG RF4435D-71A RRU
NEW SAMSUNG 600 MHz FILTER ON
NEW WALL MOUNT
BETA SECTOR

1-2
C-7

NEW EQUIPMENT ON NEW
UNISTRUT MOUNT
BEHIND PARAPET

NEW EQUIPMENT ON NEW
UNISTRUT MOUNT
BEHIND PARAPET

- ±135'-2" ELEV. ANTENNA C.L.
- ±134'-0" ELEV. TOP OF PENTHOUSE
- ±131'-2" ELEV. TOP OF PARAPET
- ±122'-6" ELEV. BUILDING ROOF



VIEW LOOKING NORTH



VIEW LOOKING EAST

0'-0" ELEV.
GROUND LEVEL

NOTES:

1. CALCULATIONS FOR THE STRUCTURE AND ANTENNA MOUNTS HAVE BEEN PREPARED BY OTHERS.
2. CABLES NOT SHOWN FOR CLARITY.
3. CABLES TO BE ROUTED PER PASSING STRUCTURAL ANALYSIS.

APPROVED

Design Section
BOSTON REDEVELOPMENT AUTHORITY

Design Review
for the
Board of Appeal

M. Cannizzo
Signature

10/12/2022

1-2
C-7
NEW ALPHA WIRELESS AW3393-E-F (600/3300 MHz)
RF ANTENNA
NEW SAMSUNG RF4435D-71A RRU
NEW SAMSUNG 600 MHz FILTER ON NEW WALL MOUNT
BETA SECTOR

NEW ALPHA WIRELESS AW3393-E-F (600/3300 MHz)
RF ANTENNA
NEW SAMSUNG RF4435D-71A RRU
NEW SAMSUNG 600 MHz FILTER ON NEW WALL MOUNT
ALPHA & GAMA SECTOR

1-2
C-8

NEW ALPHA WIRELESS AW3393-E-F (600/3300 MHz)
RF ANTENNA
NEW SAMSUNG RF4435D-71A RRU
NEW SAMSUNG 600 MHz FILTER ON NEW WALL MOUNT
BETA SECTOR

1-2
C-7

NEW ALPHA WIRELESS AW3393-E-F (600/3300 MHz)
RF ANTENNA
NEW SAMSUNG RF4435D-71A RRU
NEW SAMSUNG 600 MHz FILTER ON NEW WALL MOUNT
ALPHA & GAMA SECTOR

1-2
C-8

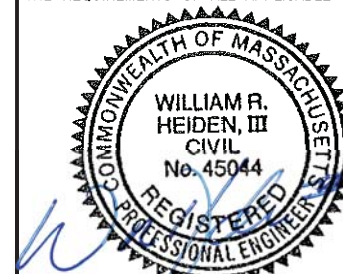
NEW EQUIPMENT ON NEW
UNISTRUT MOUNT
BEHIND PARAPET

NEW EQUIPMENT ON NEW
UNISTRUT MOUNT
BEHIND PARAPET

- ±135'-2" ELEV. ANTENNA C.L.
- ±134'-0" ELEV. TOP OF PENTHOUSE
- ±131'-2" ELEV. TOP OF PARAPET
- ±122'-6" ELEV. BUILDING ROOF

REV	DATE	DESCRIPTION	BY
C	07-07-22	PRELIM CDs	M1
D	08-03-22	PRELIM CDs	M1
E	08-25-22	PRELIM CDs - 90%	M1
F	09-08-22	ZONING DRAWINGS	M1
G	09-14-22	PRELIM CDs - 90%	M1
H	09-26-22	ZONING DRAWINGS	M1

I HEREBY CERTIFY THAT THESE DRAWINGS WERE PREPARED BY ME OR UNDER MY DIRECT SUPERVISION AND CONTROL, AND TO THE BEST OF MY KNOWLEDGE AND BELIEF COMPLY WITH THE REQUIREMENTS OF ALL APPLICABLE CODES.



October 02, 2022

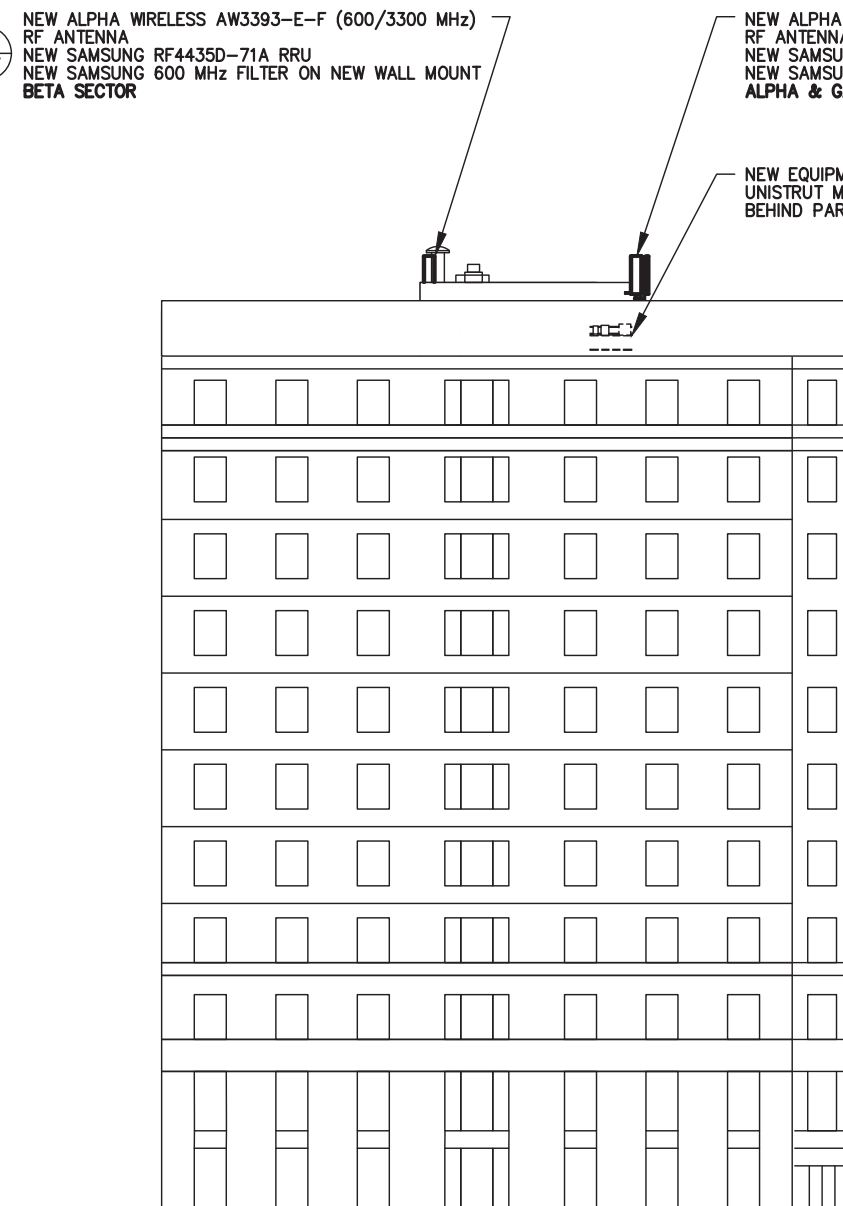
PROJECT TYPE:
NEW SITE BUILD - ROOFTOP

SITE NAME & NUMBER:
INDIA STREET
BOS-M00006

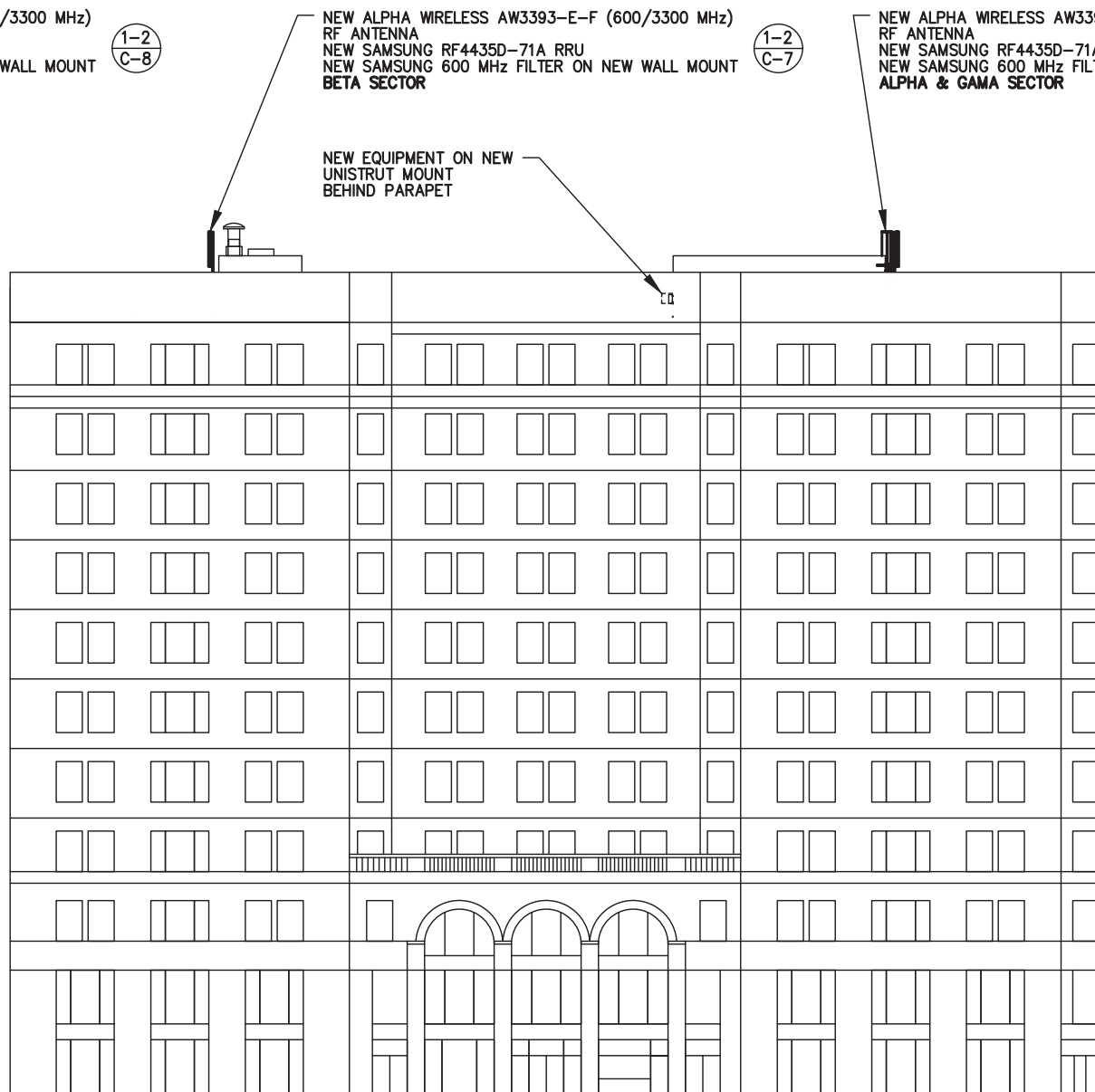
SITE ADDRESS
131 STATE ST,
BOSTON MA 02109

SHEET NAME
BUILDING ELEVATIONS

SHEET NUMBER
C-4



VIEW LOOKING SOUTH



VIEW LOOKING WEST

0'-0" ELEV.
GROUND LEVEL



1701 JFK BLVD.
PHILADELPHIA, PA 19103



MISSION 1
COMMUNICATIONS

6355 Constitution Drive, Suite A
Fort Wayne, IN 46804

REV	DATE	DESCRIPTION	BY
C	07-07-22	PRELIM CDs	M1
D	08-03-22	PRELIM CDs	M1
E	08-25-22	PRELIM CDs - 90%	M1
F	09-08-22	ZONING DRAWINGS	M1
G	09-14-22	PRELIM CDs - 90%	M1
H	09-26-22	ZONING DRAWINGS	M1

I HEREBY CERTIFY THAT THESE DRAWINGS WERE PREPARED BY ME OR UNDER MY DIRECT SUPERVISION AND CONTROL, AND TO THE BEST OF MY KNOWLEDGE AND BELIEF COMPLY WITH THE REQUIREMENTS OF ALL APPLICABLE CODES.



October 02, 2022

PROJECT TYPE:

NEW SITE BUILD - ROOFTOP

SITE NAME & NUMBER:

INDIA STREET
BOS-M00006

SITE ADDRESS

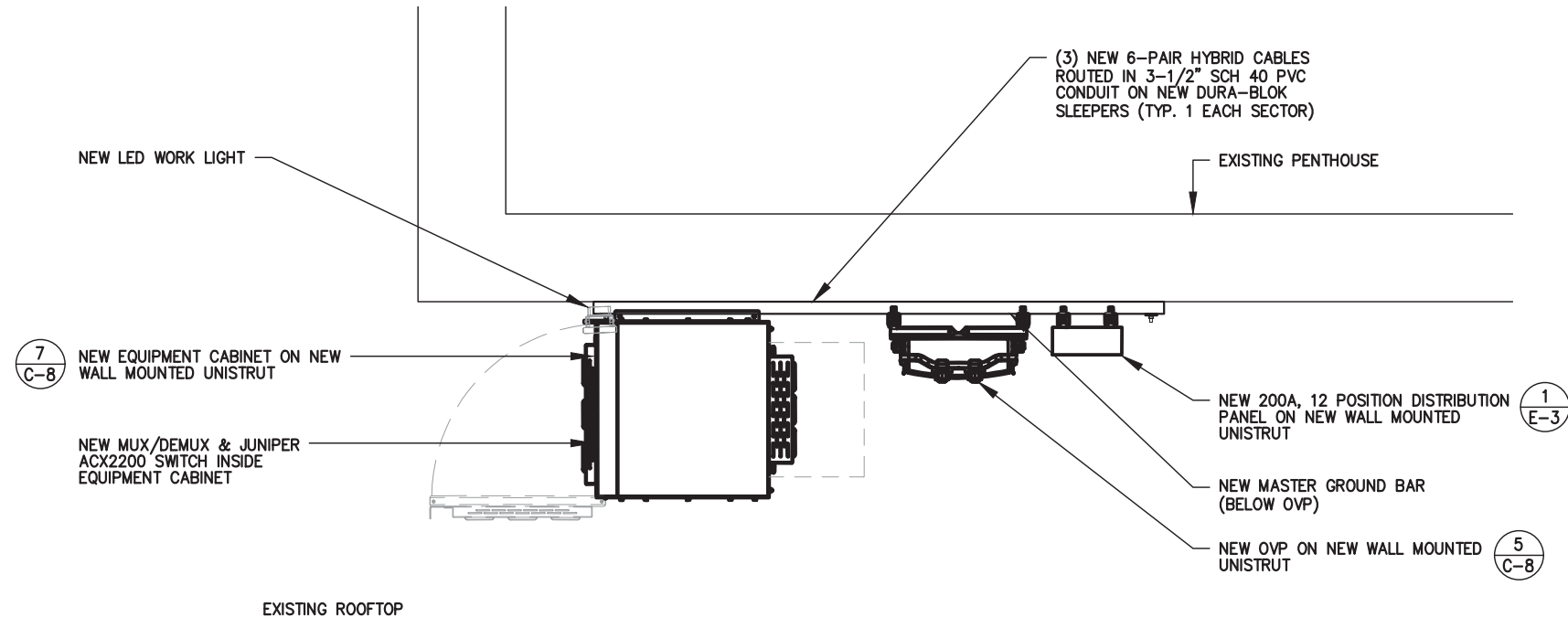
131 STATE ST,
BOSTON MA 02109

SHEET NAME

EQUIPMENT LAYOUT

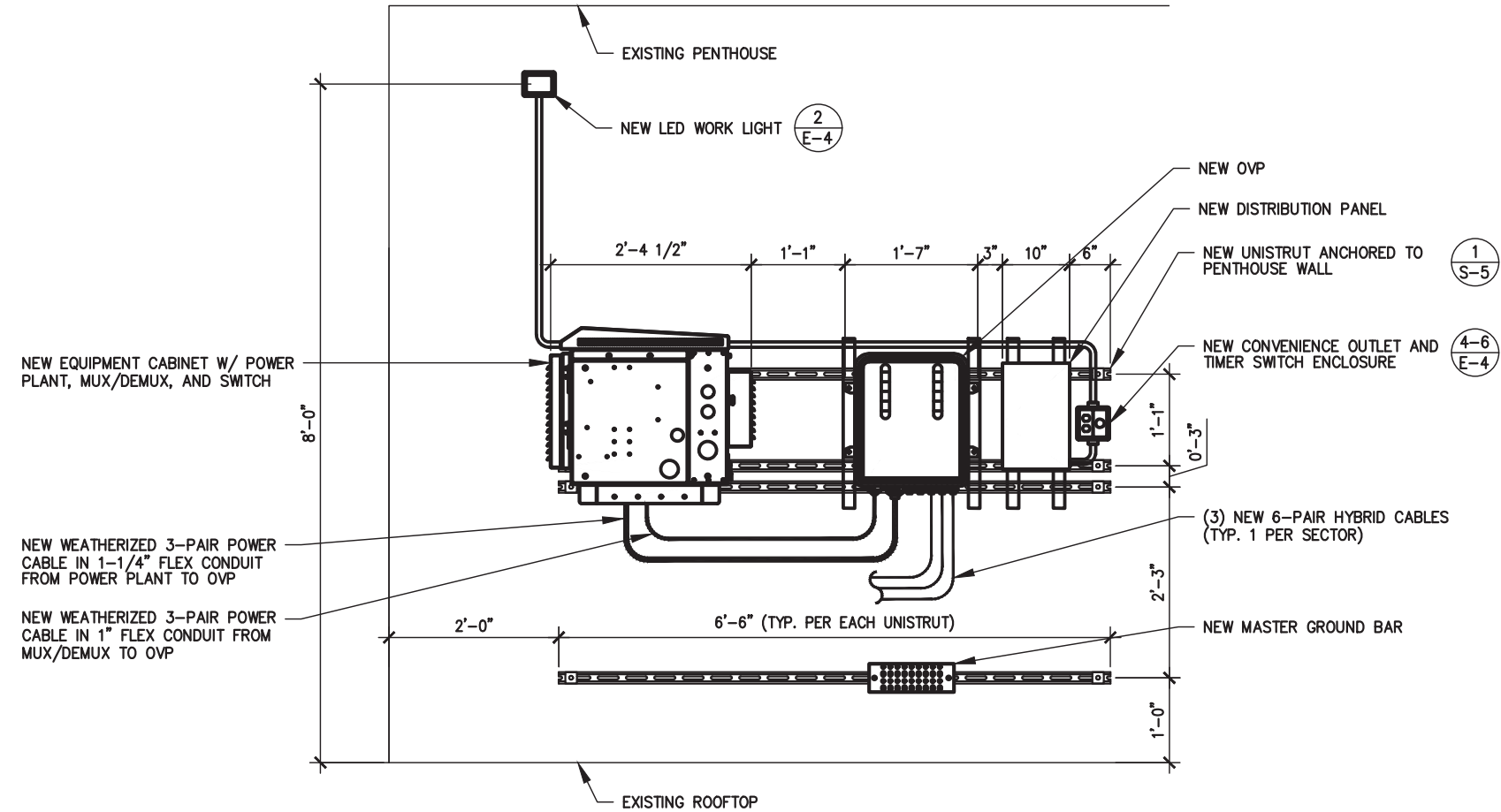
SHEET NUMBER

C-5



EQUIPMENT LAYOUT

SCALE: 1/2" = 1'-0" 1



EQUIPMENT ELEVATION LAYOUT

SCALE: 1/2" = 1'-0" 2

ANTENNA AND CABLE SCHEDULE

SECTOR	POSITION	ANTENNA MFR	ANTENNA MODEL NUMBER	AZIMUTH (DEG)	RAD CENTER (FT)	MECH. TILT	ELEC. TILT	RRU/RADIO MFR	RRU/RADIO MODEL	TRUNK CABLE SIZE & QTY	JUMPER CABLE SIZE & QTY	CABLE LENGTH +10% (FT)
ALPHA	1	ALPHA WIRELESS	AW3393-E-F	350	135.1'	0	10	SAMSUNG	RF4435D-71A	(1) NEW 3-PAIR CONDUCTOR 6-PAIR FIBER HYBRID CABLE	(1) NEW 1-PAIR POWER JUMPERS (1) NEW 2-PAIR FIBER JUMPERS (8) NEW 1/2" RF JUMPER	60' HYBRID CABLE
BETA	1	ALPHA WIRELESS	AW3393-E-F	160	135.1'	0	12	SAMSUNG	RF4435D-71A	(1) NEW 3-PAIR CONDUCTOR 6-PAIR FIBER HYBRID CABLE	(1) NEW 1-PAIR POWER JUMPERS (1) NEW 2-PAIR FIBER JUMPERS (8) NEW 1/2" RF JUMPER	130' HYBRID CABLE
GAMMA	1	ALPHA WIRELESS	AW3393-E-F	255	135.1'	0	12	SAMSUNG	RF4435D-71A	(1) NEW 3-PAIR CONDUCTOR 6-PAIR FIBER HYBRID CABLE	(1) NEW 1-PAIR POWER JUMPERS (1) NEW 2-PAIR FIBER JUMPERS (8) NEW 1/2" RF JUMPER	60' HYBRID CABLE



1701 JFK BLVD.
PHILADELPHIA, PA 19103



6355 Constitution Drive, Suite A
Fort Wayne, IN 46804

REV	DATE	DESCRIPTION	BY
C	07-07-22	PRELIM CDs	M1
D	08-03-22	PRELIM CDs	M1
E	08-25-22	PRELIM CDs - 90%	M1
F	09-08-22	ZONING DRAWINGS	M1
G	09-14-22	PRELIM CDs - 90%	M1
H	09-26-22	ZONING DRAWINGS	M1

I HEREBY CERTIFY THAT THESE DRAWINGS WERE PREPARED BY ME OR UNDER MY DIRECT SUPERVISION AND CONTROL, AND TO THE BEST OF MY KNOWLEDGE AND BELIEF COMPLY WITH THE REQUIREMENTS OF ALL APPLICABLE CODES.



October 02, 2022

PROJECT TYPE:
NEW SITE BUILD - ROOFTOP

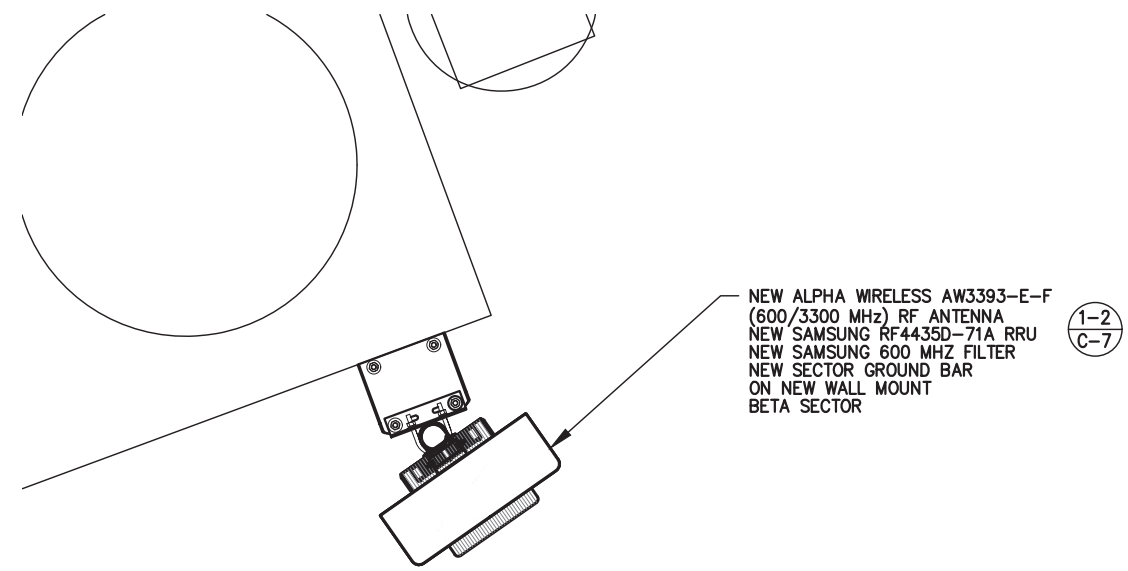
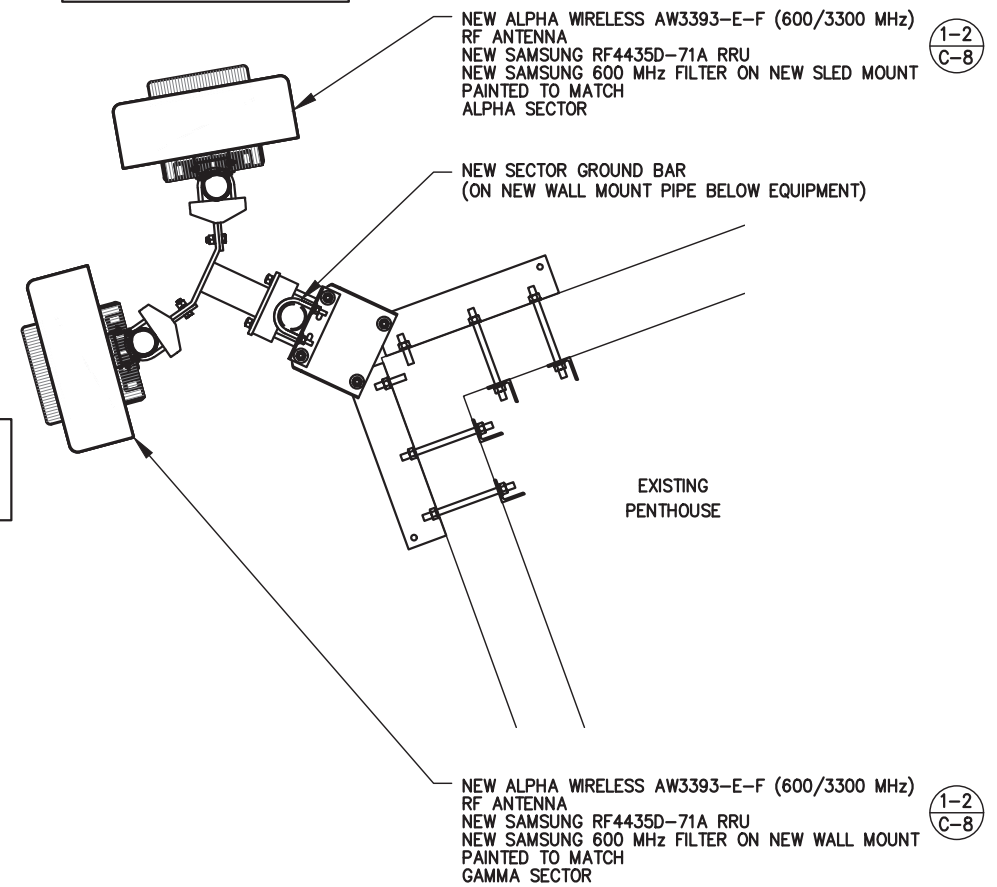
SITE NAME & NUMBER:
INDIA STREET
BOS-M00006

SITE ADDRESS
131 STATE ST.
BOSTON MA 02109

SHEET NAME
ANTENNA LAYOUT AND
EQUIPMENT SCHEDULE

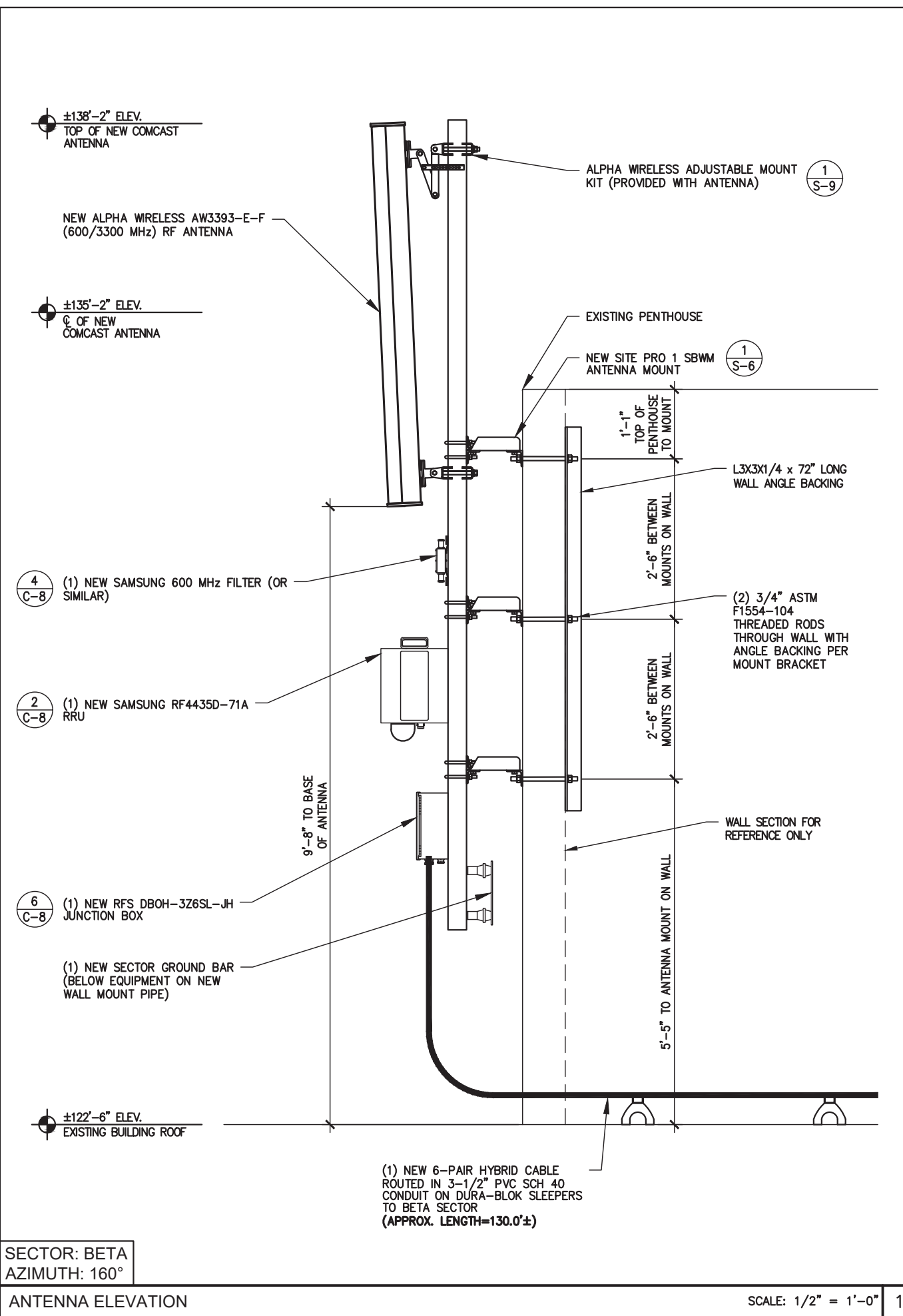
SHEET NUMBER
C-6

SECTOR: ALPHA
AZIMUTH: 350°



SECTOR: GAMMA
AZIMUTH: 255°

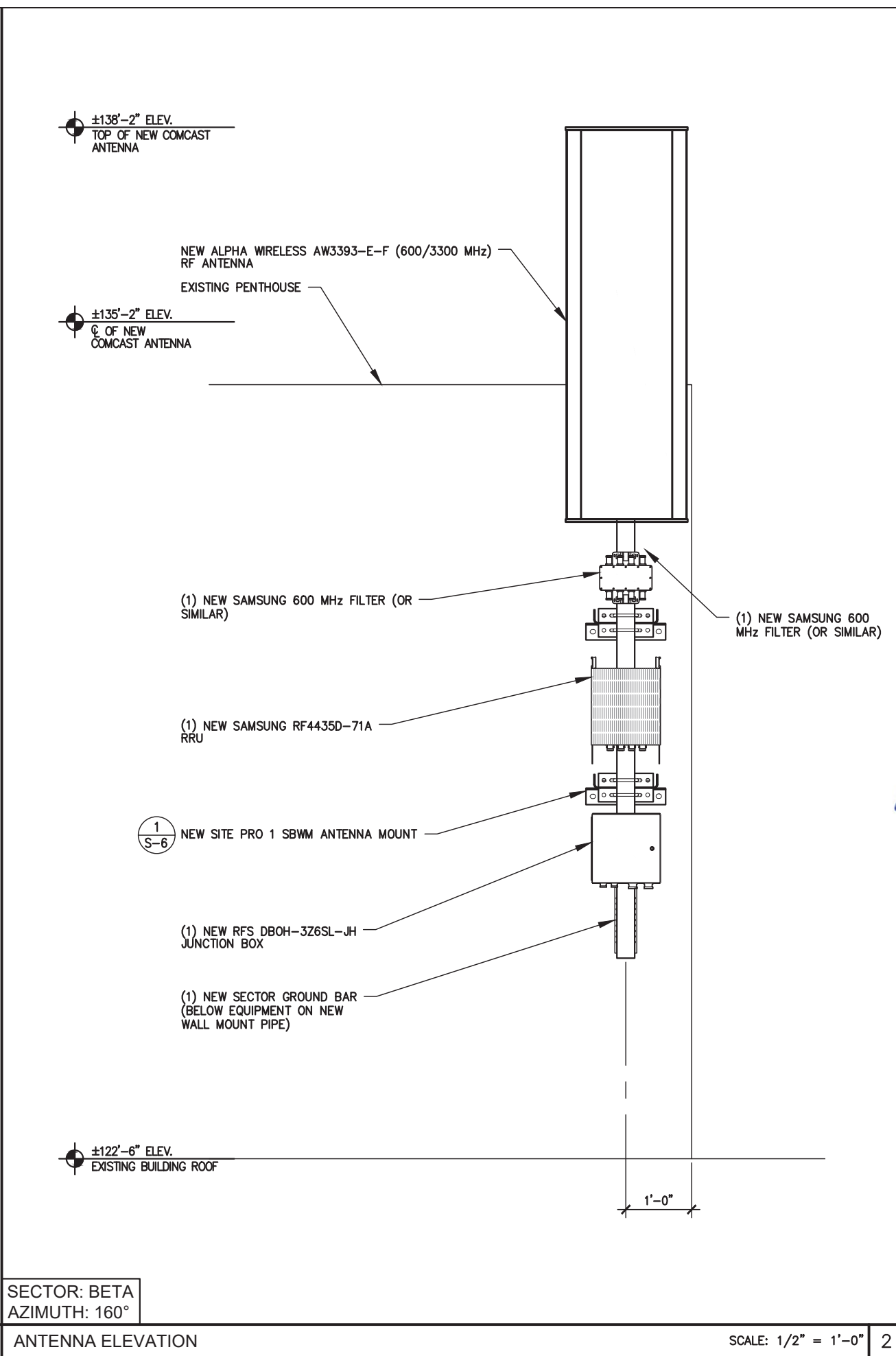
SECTOR: BETA
AZIMUTH: 160°



SECTOR: BETA
AZIMUTH: 160°

ANTENNA ELEVATION

SCALE: 1/2" = 1'-0" 1



SECTOR: BETA
AZIMUTH: 160°

ANTENNA ELEVATION

SCALE: 1/2" = 1'-0" 2



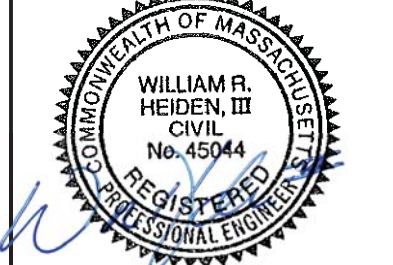
1701 JFK BLVD.
PHILADELPHIA, PA 19103



6355 Constitution Drive, Suite A
Fort Wayne, IN 46804

REV	DATE	DESCRIPTION	BY
C	07-07-22	PRELIM CDs	M1
D	08-03-22	PRELIM CDs	M1
E	08-25-22	PRELIM CDs - 90%	M1
F	09-08-22	ZONING DRAWINGS	M1
G	09-14-22	PRELIM CDs - 90%	M1
H	09-26-22	ZONING DRAWINGS	M1

I HEREBY CERTIFY THAT THESE DRAWINGS WERE PREPARED BY ME OR UNDER MY DIRECT SUPERVISION AND CONTROL, AND TO THE BEST OF MY KNOWLEDGE AND BELIEF COMPLY WITH THE REQUIREMENTS OF ALL APPLICABLE CODES.



October 02, 2022

PROJECT TYPE:

NEW SITE BUILD - ROOFTOP

SITE NAME & NUMBER:

INDIA STREET
BOS-M00006

SITE ADDRESS

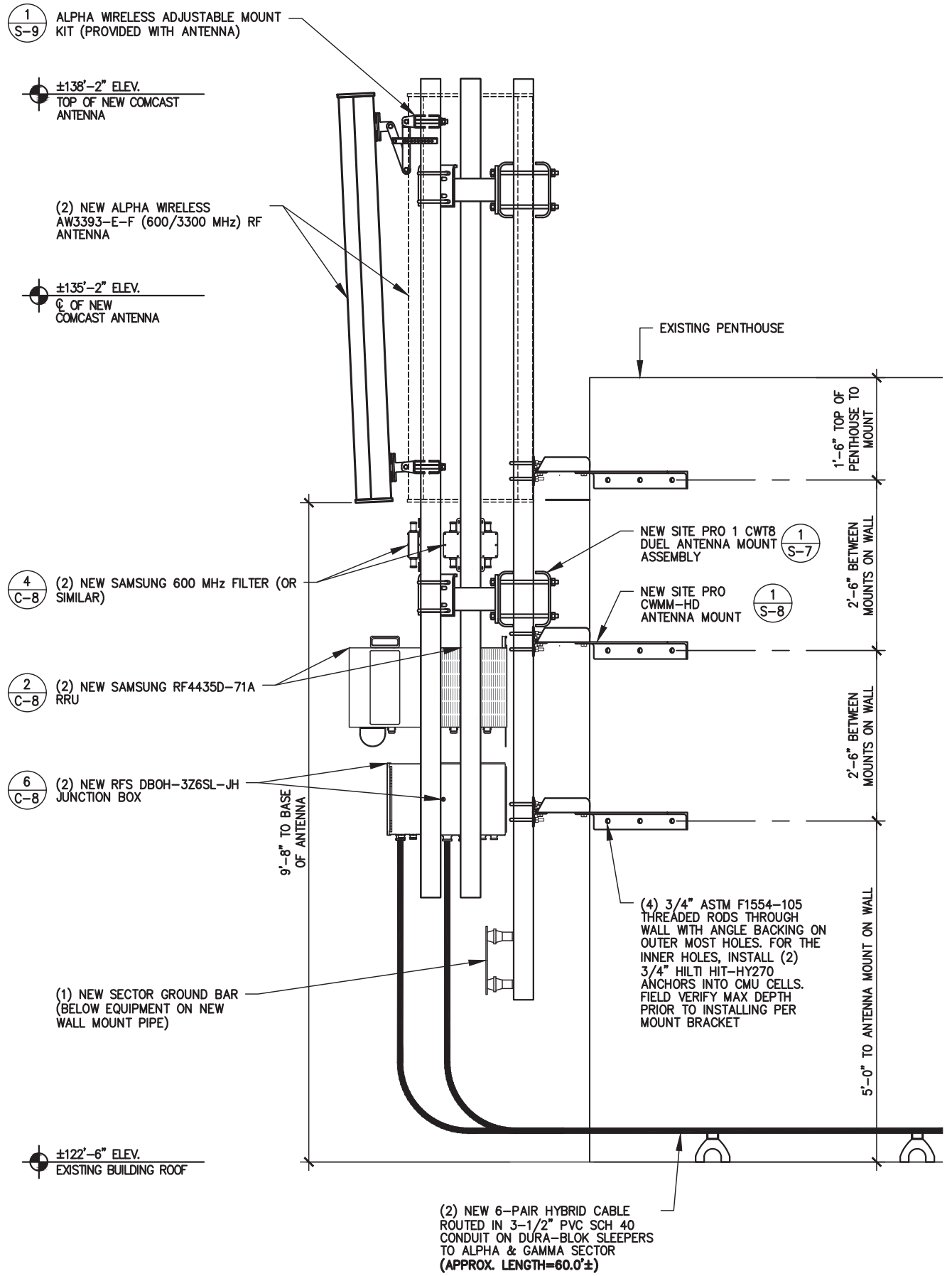
131 STATE ST,
BOSTON MA 02109

SHEET NAME

ANTENNA ELEVATION
DETAILS

SHEET NUMBER

C-7

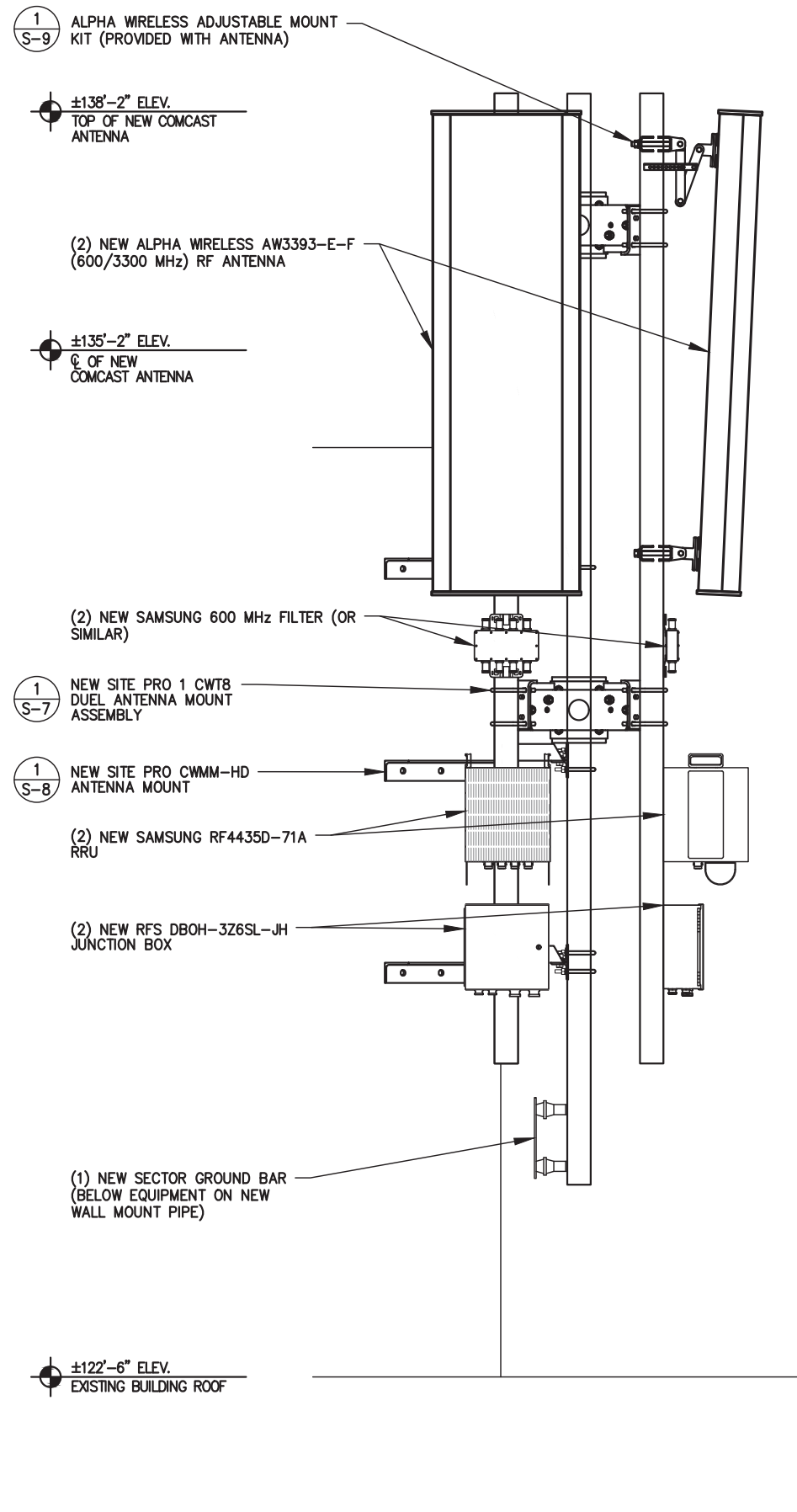


SECTOR: GAMMA
AZIMUTH: 255°

SECTOR: ALPHA
AZIMUTH: 350°

ANTENNA ELEVATION

SCALE: 1/2" = 1'-0" 1



SECTOR: ALPHA
AZIMUTH: 350°

SECTOR: GAMMA
AZIMUTH: 255°

ANTENNA ELEVATION

SCALE: 1/2" = 1'-0" 2



1701 JFK BLVD.
PHILADELPHIA, PA 19103



6355 Constitution Drive, Suite A
Fort Wayne, IN 46804

REV	DATE	DESCRIPTION	BY
C	07-07-22	PRELIM CDs	M1
D	08-03-22	PRELIM CDs	M1
E	08-25-22	PRELIM CDs - 90%	M1
F	09-08-22	ZONING DRAWINGS	M1
G	09-14-22	PRELIM CDs - 90%	M1
H	09-26-22	ZONING DRAWINGS	M1

I HEREBY CERTIFY THAT THESE DRAWINGS WERE PREPARED BY ME OR UNDER MY DIRECT SUPERVISION AND CONTROL, AND TO THE BEST OF MY KNOWLEDGE AND BELIEF COMPLY WITH THE REQUIREMENTS OF ALL APPLICABLE CODES.



October 02, 2022

PROJECT TYPE:

NEW SITE BUILD - ROOFTOP

SITE NAME & NUMBER:

INDIA STREET
BOS-M00006

SITE ADDRESS

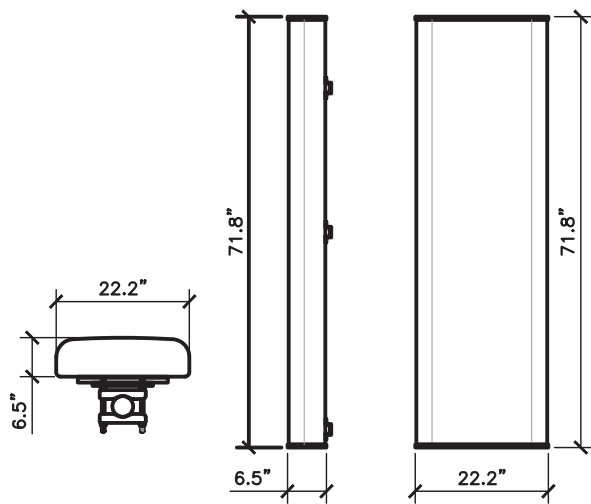
131 STATE ST.
BOSTON MA 02109

SHEET NAME

ANTENNA ELEVATION
DETAILS

SHEET NUMBER

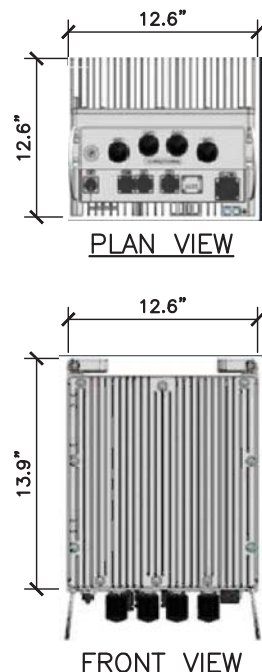
C-8



PLAN VIEW SIDE VIEW FRONT VIEW

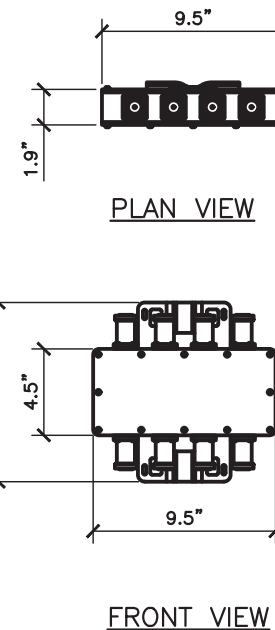
ALPHA WIRELESS – AW3933-E-F

(OR SIMILAR)
 OUTDOOR DIRECTIONAL MULTI-BAND ANTENNA
 FREQUENCY RANGES 617–698 MHz
 3300–4000 MHz
 ANTENNA 60.5 Lbs
 BRACKET 11.5 Lbs
 TOTAL WEIGHT 72.0 Lbs



SAMSUNG – RF4435D-71A

(OR SIMILAR)
 600/700 MHz 4T4R RRU
 FREQUENCY RANGE n 71 DL: 617–652 MHz
 n 71 UL: 663–698 MHz
 B 85 DL: 728–746 MHz
 B 85 UL: 698–715 MHz
 WEIGHT 74.96 Lbs



SAMSUNG – FT-4C-2021001

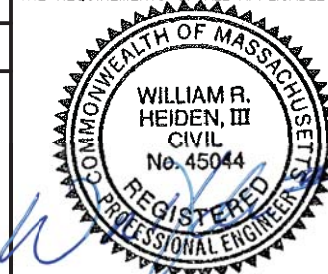
(OR SIMILAR)
 600 MHz FILTER
 FREQUENCY RANGE 617–698 MHz
 WEIGHT 6.61 Lbs



6355 Constitution Drive, Suite A
 Fort Wayne, IN 46804

REV	DATE	DESCRIPTION	BY
C	07-07-22	PRELIM CDs	M1
D	08-03-22	PRELIM CDs	M1
E	08-25-22	PRELIM CDs - 90%	M1
F	09-08-22	ZONING DRAWINGS	M1
G	09-14-22	PRELIM CDs - 90%	M1
H	09-26-22	ZONING DRAWINGS	M1

I HEREBY CERTIFY THAT THESE DRAWINGS WERE PREPARED BY ME OR UNDER MY DIRECT SUPERVISION AND CONTROL, AND TO THE BEST OF MY KNOWLEDGE AND BELIEF COMPLY WITH THE REQUIREMENTS OF ALL APPLICABLE CODES.



October 02, 2022

PROJECT TYPE:
 NEW SITE BUILD - ROOFTOP

SITE NAME & NUMBER:
 INDIA STREET
 BOS-M00006

SITE ADDRESS
 131 STATE ST.
 BOSTON MA 02109

SHEET NAME
 EQUIPMENT DETAILS

SHEET NUMBER

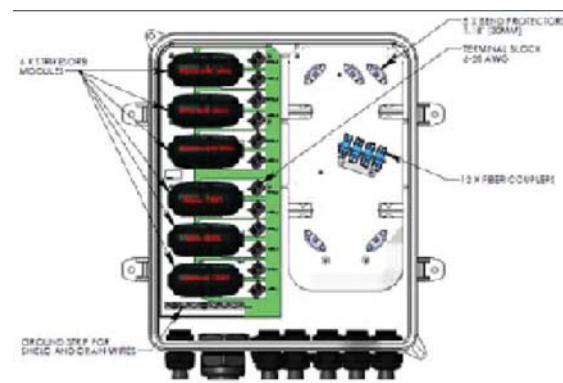
C-9

ANTENNA DETAIL SCALE: N.T.S. 1

RADIO DETAIL SCALE: N.T.S. 2

NOT USED SCALE: N.T.S. 3

FILTER DETAIL SCALE: N.T.S. 4



RAYCAP – RKEDC-3969-PF-48

(OR SIMILAR)
 DC SURGE PROTECTION
 DIMENSIONS (HxWxD) 20.17"x18.9"x7.22"
 TOTAL WEIGHT 19.95 Lbs



RFS – DBOH-3Z6SL-JH

(OR SIMILAR)
 JUNCTION BOX
 DIMENSIONS (HxWxD) 13.6"x12.4"x5.9"
 TOTAL WEIGHT 15.0 Lbs

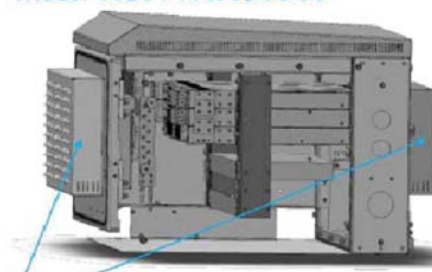
OVP DETAIL SCALE: N.T.S. 5

JUNCTION BOX DETAIL SCALE: N.T.S. 6

EQUIPMENT CABINET DETAIL SCALE: N.T.S. 7

CMC-S8 Equipment Cabinet

Model S8B0-P1-A00D00-00



Louver feature with filter on both front and rear doors

Cabinet Features

- Standard features include an alarm block, a high-temp thermostat, cabinet accessibility LED light, and a full height rear access panel
- Cooling: Passive Cooling*
- Post, pre, H-frame and wall mounting options
- Cabinet supports most power OEM equipment such as AC power panels and rectifier shelves

Dimensions and Weight

- Size: 24" W x 22" D x 22" H
- Weight: 55 lbs, empty
- Rack space: 8RU of 10" rack mounting space

Telcordia GR-487 Compliant
 OSHA Approved Safety Agency Listed
 Safety Agency Listed

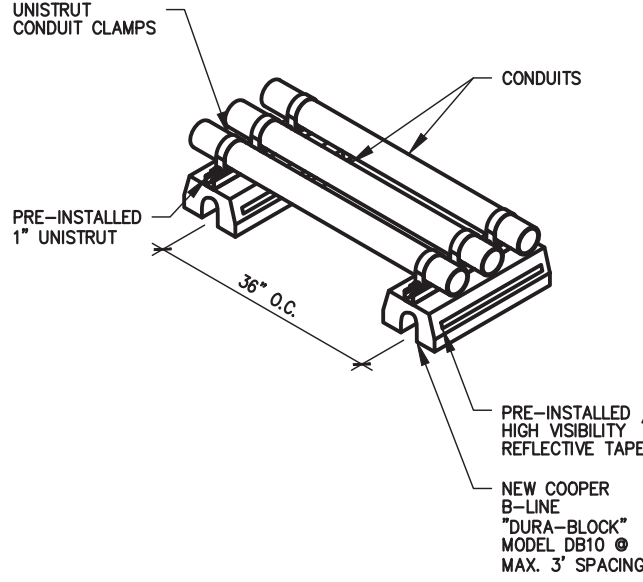
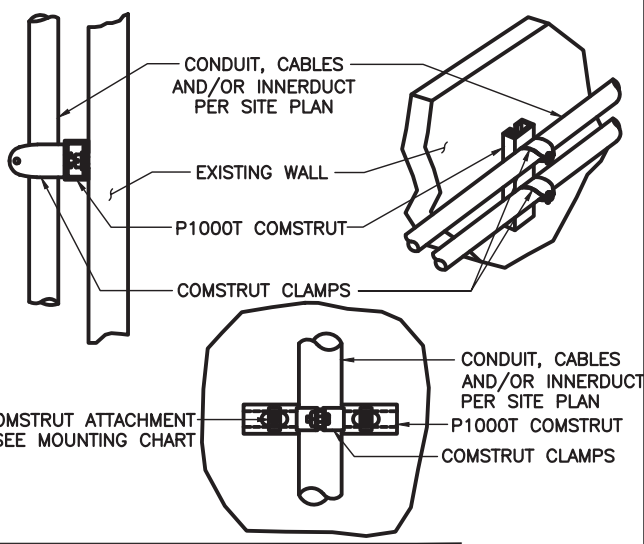
* Hardened equipment to -40° C to +65° C

Notes:

- Passive cooling door shown. Proposal to Comcast is to use a door-mounted TEC, which expands thermal capacity to 400W.
- CMC8 only supports three 50A rectifiers from a thermal perspective

Field Replacement Units (FRUs) and Accessories

Orderable Code#	Description
760242246	H-Frame/Wall Mount Kit, CMC
760242249	Pole Mount, CMC
760244679	CMC-S8 Plinth, 5" High
760242239	FRU, Solar Shield, CMC, Small Format



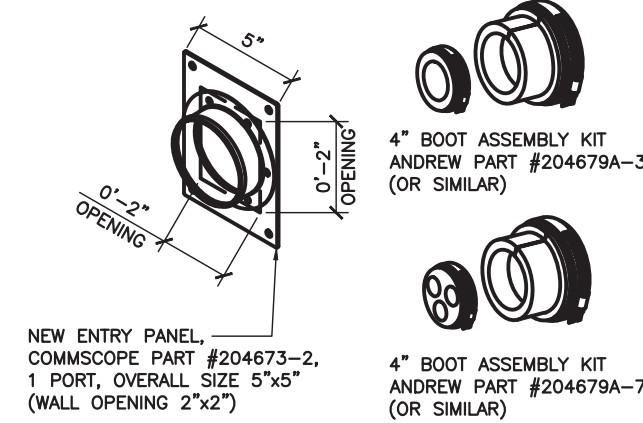
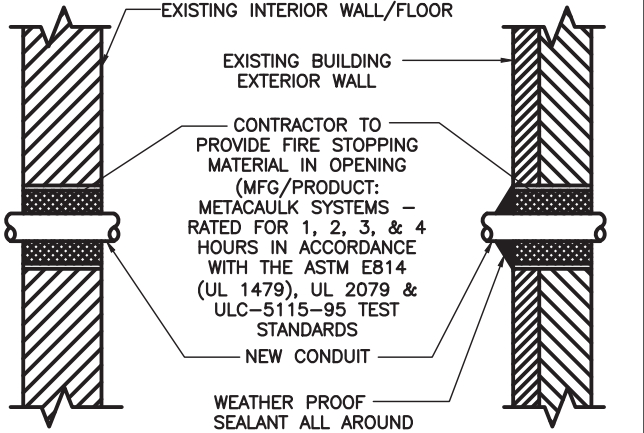
NOTES:
 -MAX SPACING 3'-0" BETWEEN SUPPORTS.
 -CAN BE ROUTED VERTICALLY OR HORIZONTALLY.
 -APPLY WEATHERPROOF SEALANT AROUND ALL OUTDOOR CONDUIT/CABLE TRANSITION LOCATIONS.

COMSTRUT MOUNTING CHART	
WALL CONSTRUCTION TYPE	USE
HOLLOW	3/8" TOGGLE BOLT
HOLLOW AT STUD	3/8" LAG SCREW
CONCRETE BLOCK (HOLLOW)	3/8" HILTI HY-20 WITH SCREEN, MINIMUM EMBEDMENT 2-1/2"
CONCRETE (SOLID)	3/8" HILTI HY-150 WITH SCREEN, MINIMUM EMBEDMENT 2-1/2"

CONDUIT/CABLE SUPPORT DETAIL SCALE: N.T.S. 1

DURA-BLOK DETAIL SCALE: N.T.S. 2

NOT USED SCALE: N.T.S. 3



NOTE:
 WHEN CORING INTO EXISTING WALL / FLOOR, CONTRACTOR TO REPAIR ALL OPENING TO EXISTING CONDITION, AND MAINTAIN ALL EXISTING FIRE RATINGS.

CONDUIT PENETRATION DETAIL SCALE: N.T.S. 4

ENTRY PANEL DETAIL SCALE: N.T.S. 5

NOT USED SCALE: N.T.S. 6



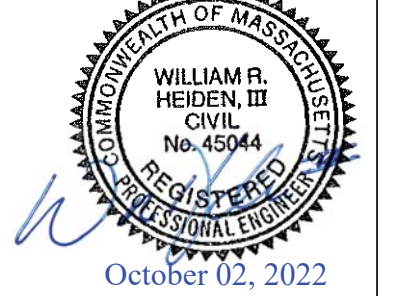
1701 JFK BLVD.
 PHILADELPHIA, PA 19103



6355 Constitution Drive, Suite A
 Fort Wayne, IN 46804

REV	DATE	DESCRIPTION	BY
C	07-07-22	PRELIM CDs	M1
D	08-03-22	PRELIM CDs	M1
E	08-25-22	PRELIM CDs - 90%	M1
F	09-08-22	ZONING DRAWINGS	M1
G	09-14-22	PRELIM CDs - 90%	M1
H	09-26-22	ZONING DRAWINGS	M1

I HEREBY CERTIFY THAT THESE DRAWINGS WERE PREPARED BY ME OR UNDER MY DIRECT SUPERVISION AND CONTROL, AND TO THE BEST OF MY KNOWLEDGE AND BELIEF COMPLY WITH THE REQUIREMENTS OF ALL APPLICABLE CODES.



PROJECT TYPE:

NEW SITE BUILD - ROOFTOP

SITE NAME & NUMBER:

INDIA STREET
 BOS-M00006

SITE ADDRESS

131 STATE ST,
 BOSTON MA 02109

SHEET NAME

EQUIPMENT DETAILS

SHEET NUMBER

C-10