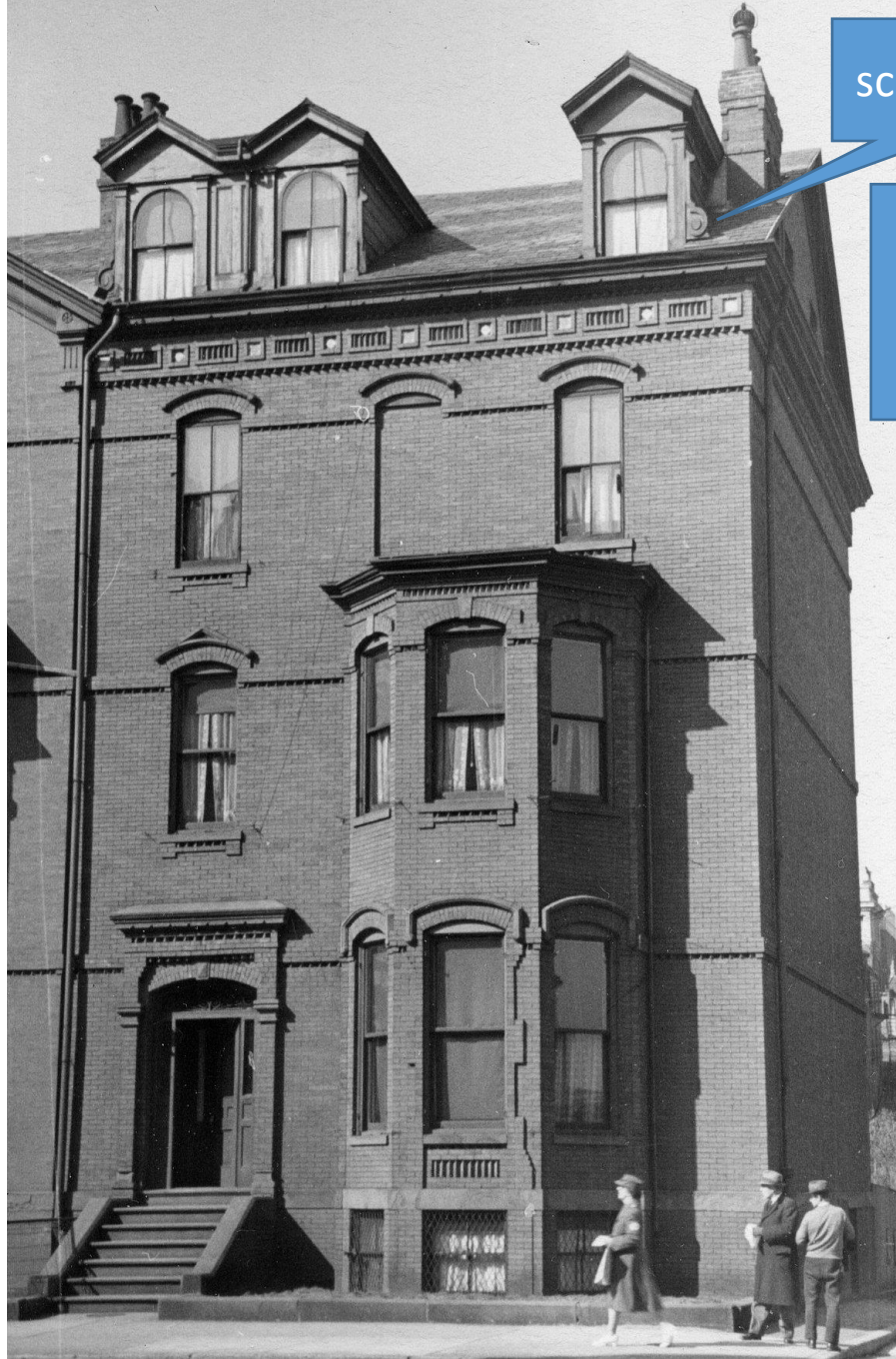


Back Bay Architectural Commission

Project Review Hearing

1 Fairfield Street

January 12, 2022



scrollwork

Storms obscure arched windows

1942 photo of facade



Current facade



North elevation



West (rear) elevation



Site, two parking spaces, stairs to the south
to basement entry

Proposed Project

- Masonry repairs and repointing including removal of portion of fire escape and replacing modern light fixtures
- Replacement of windows matching historic muntin patterns, existing windows are a mix of modern and historic.
- Replacement of modern entrance handrails with appropriate handrails
- Expansion of rear dormer, restoration of scrollwork at front dormers, replace skylight in kind
- Addition of new fence and planters

Inappropriate repointing at 1 Fairfield Street



Windows at 1 Fairfield Street



Mix of modern
and historic, both
1/1 and 2/2

1/1



Storm windows
obscure the arched
windows at the
dormers

Windows at 1 Fairfield Street



Infilled opening to be reopened



Inappropriate replacement to be restored to full height window

Handrails at 1 Fairfield Street

View of existing modern metal handrails



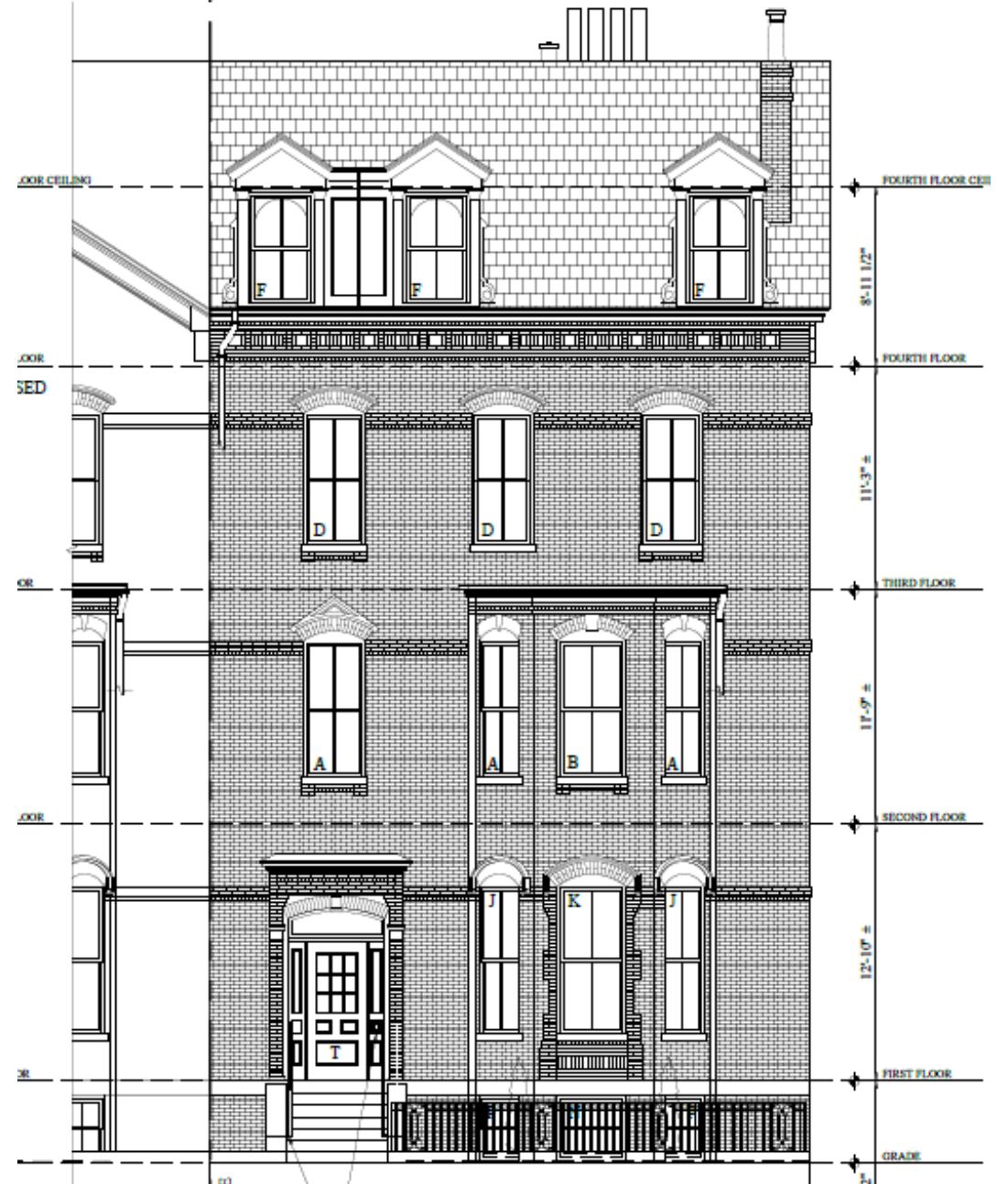
Doorbell to be replaced



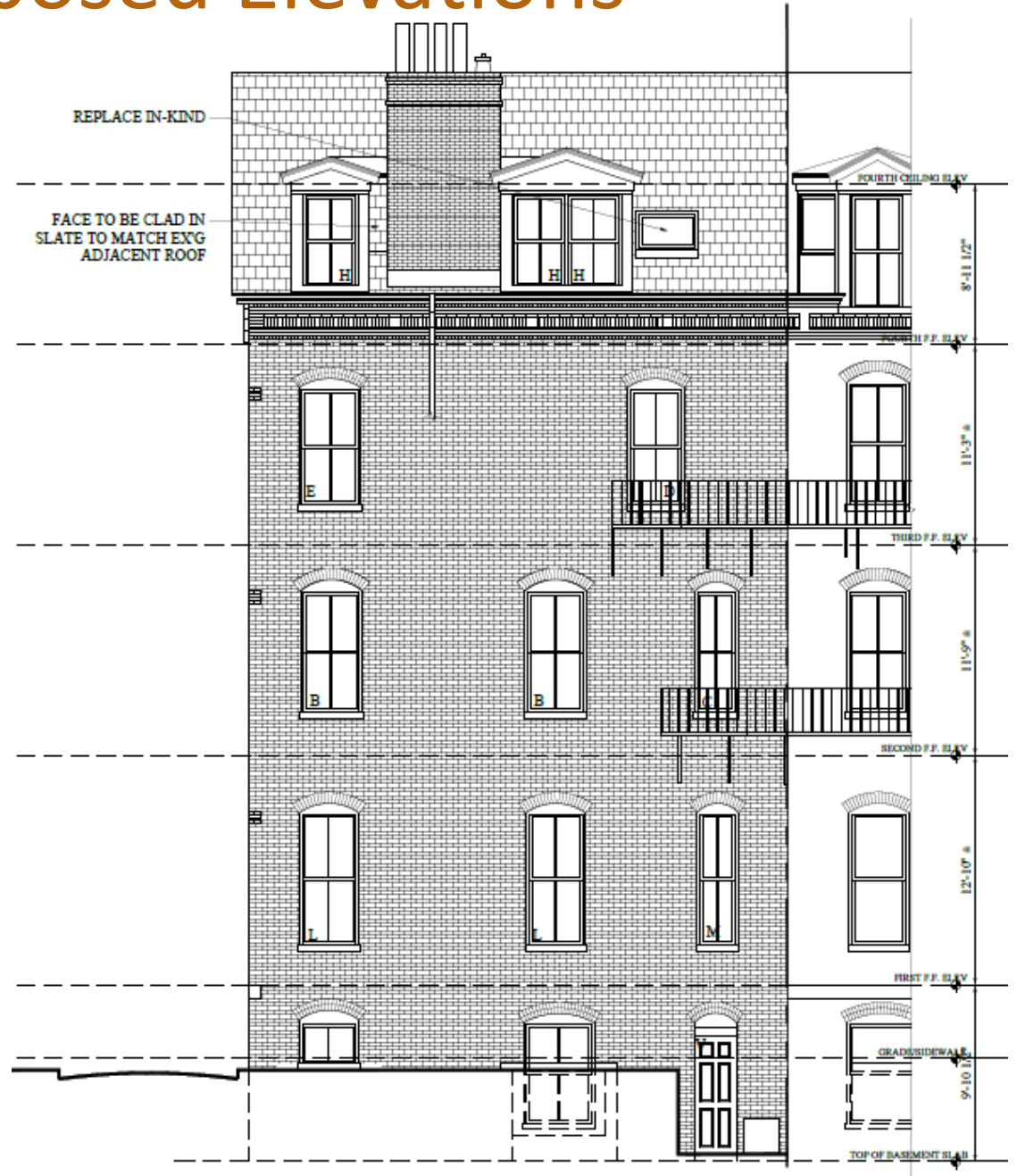
Outline of former pipe rail connection



Existing and Proposed Elevations



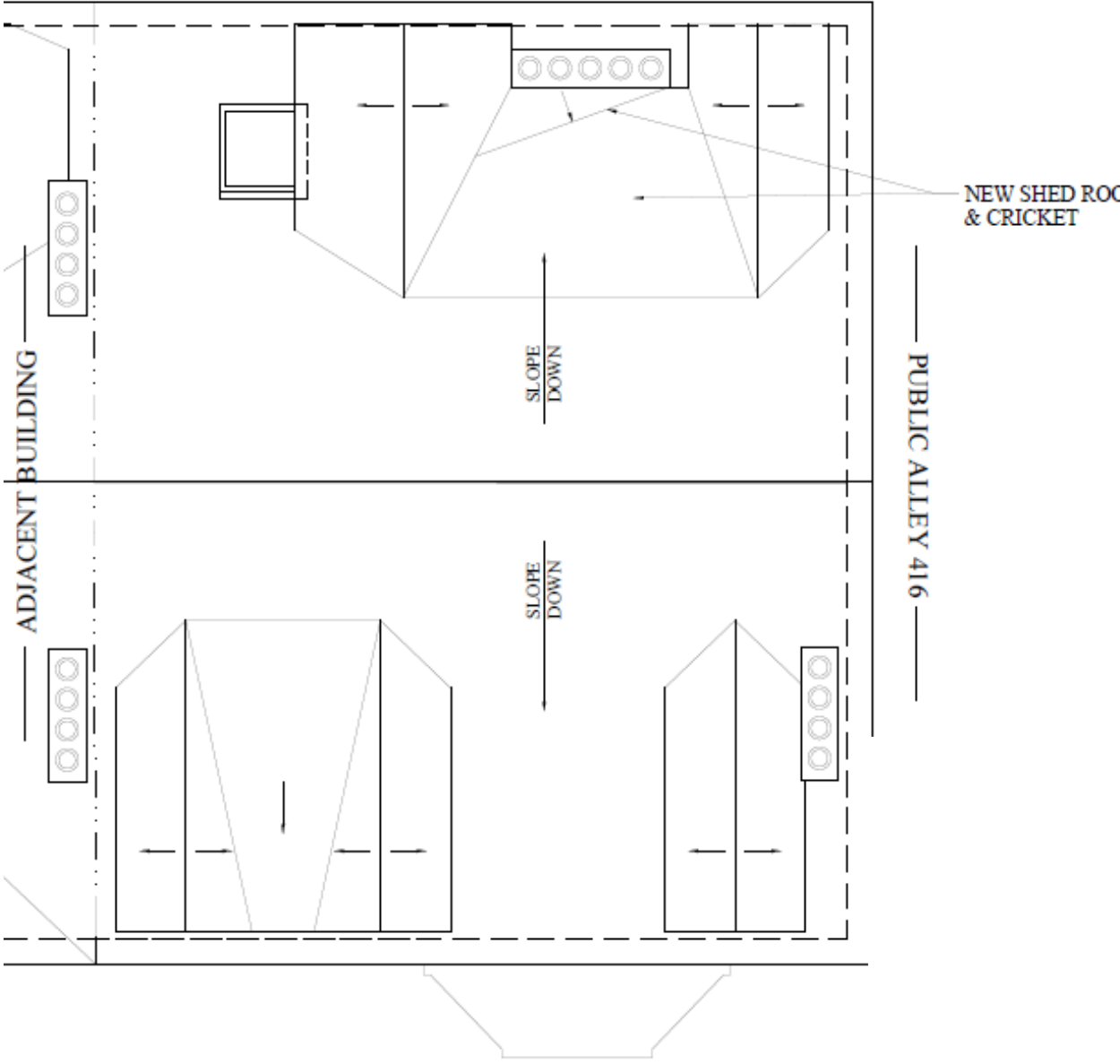
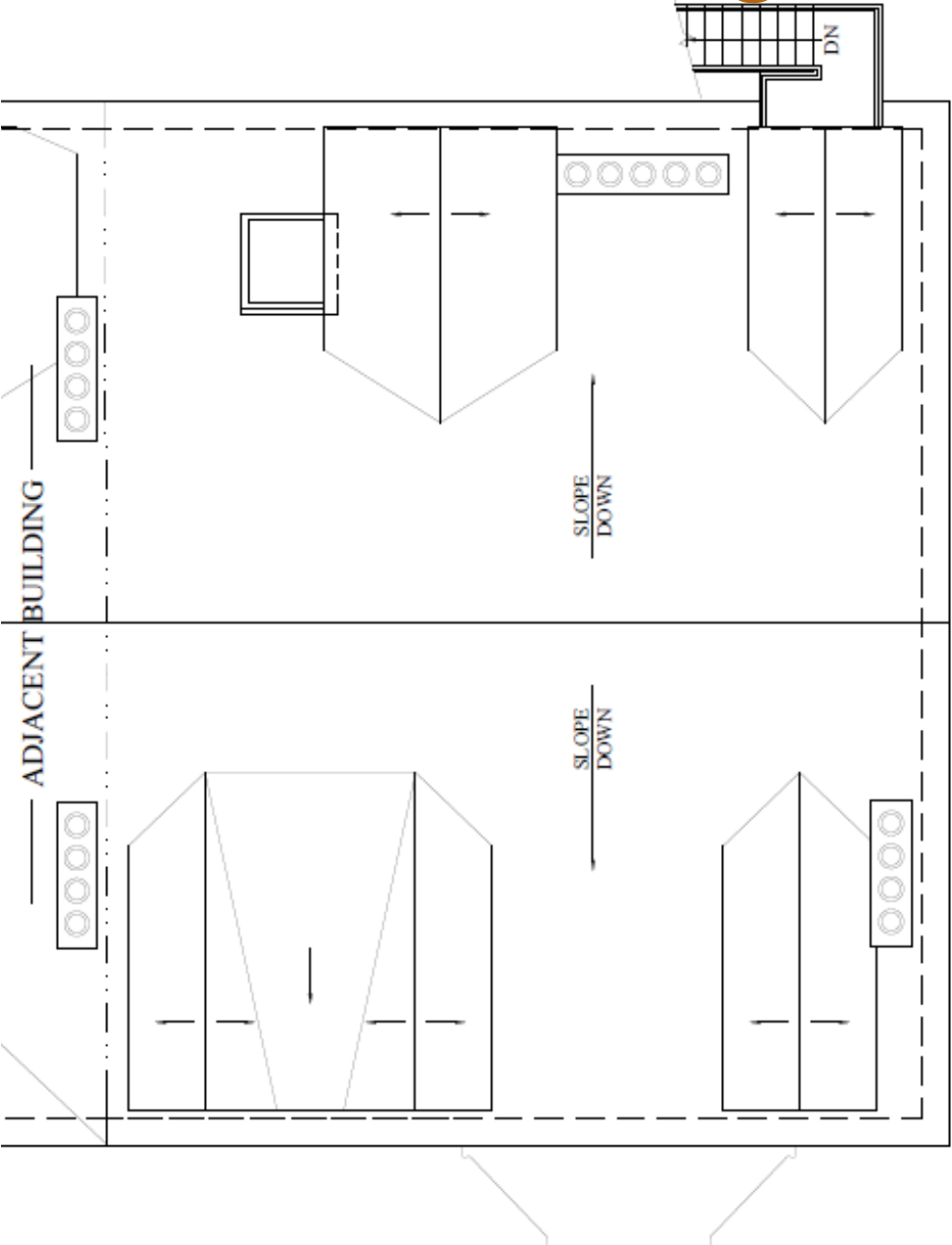
Existing and Proposed Elevations



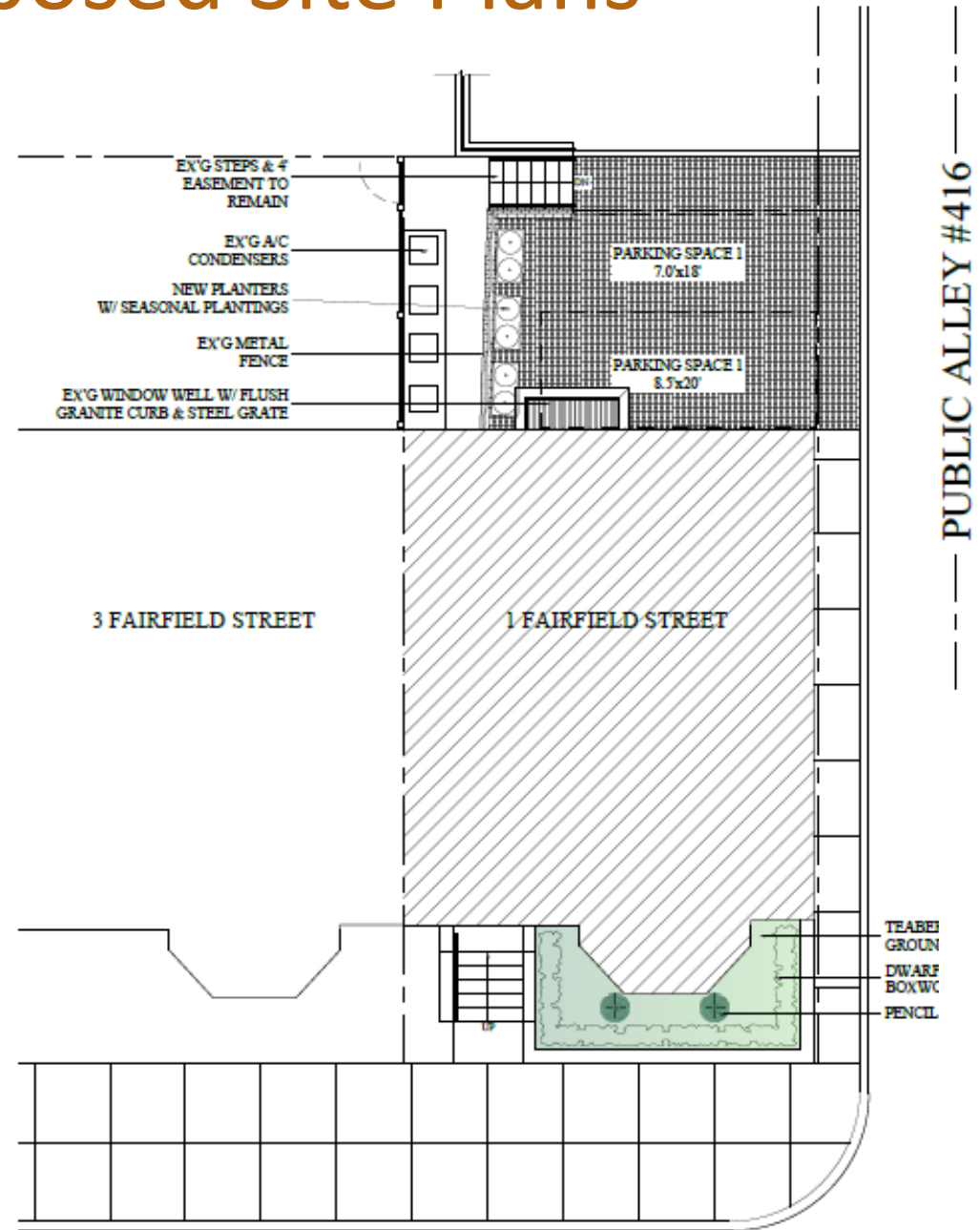
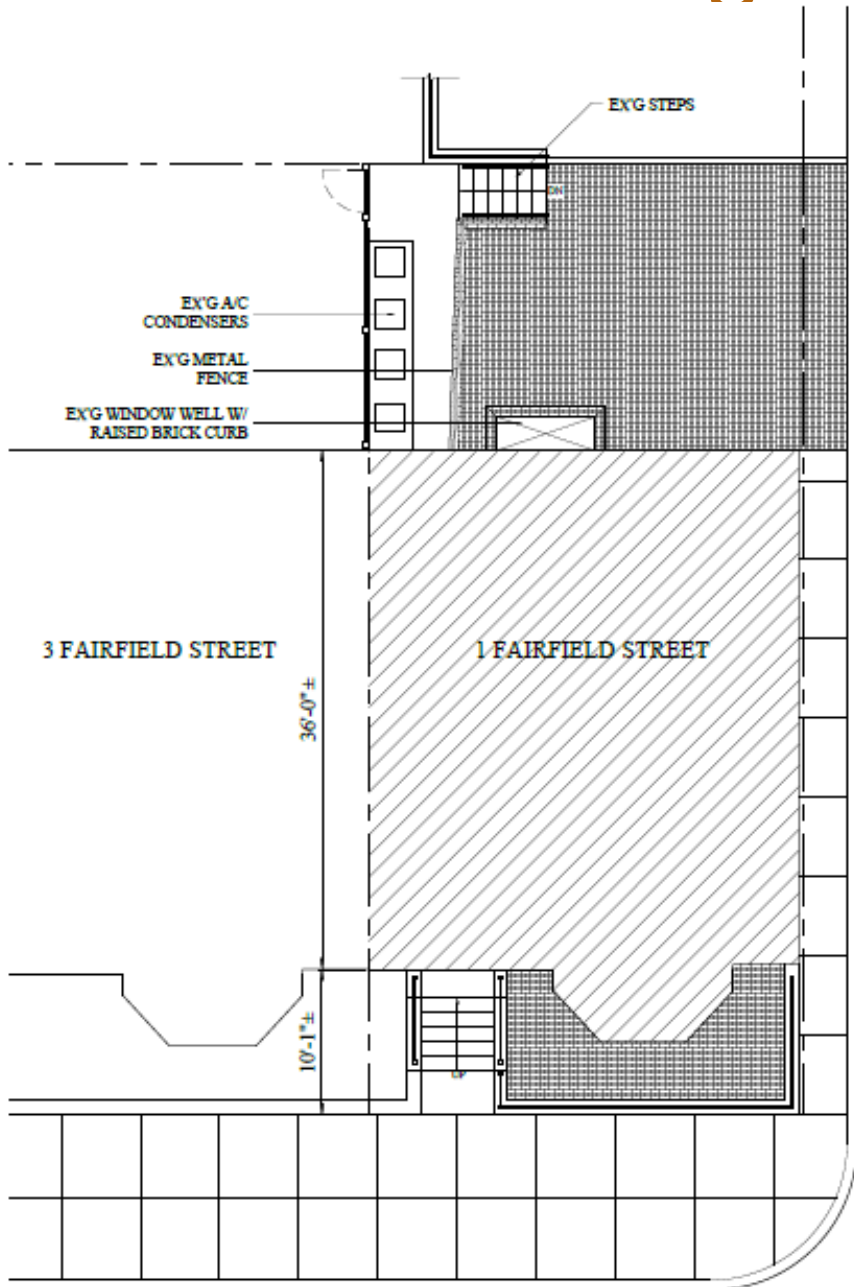
Existing and Proposed Elevations



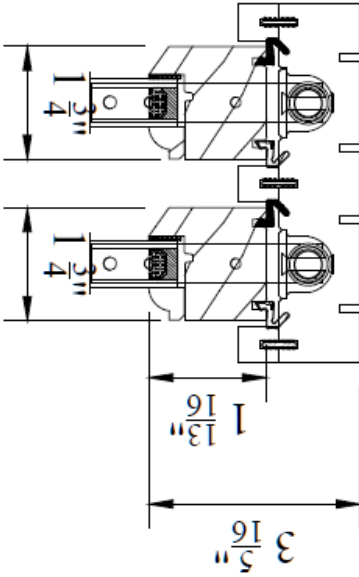
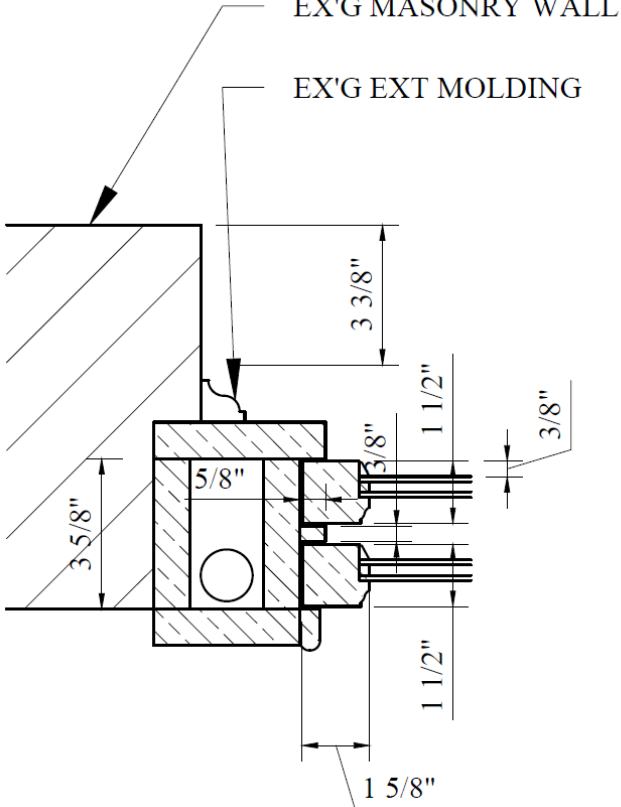
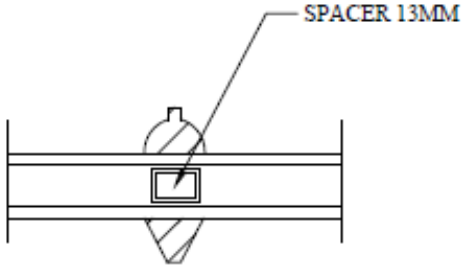
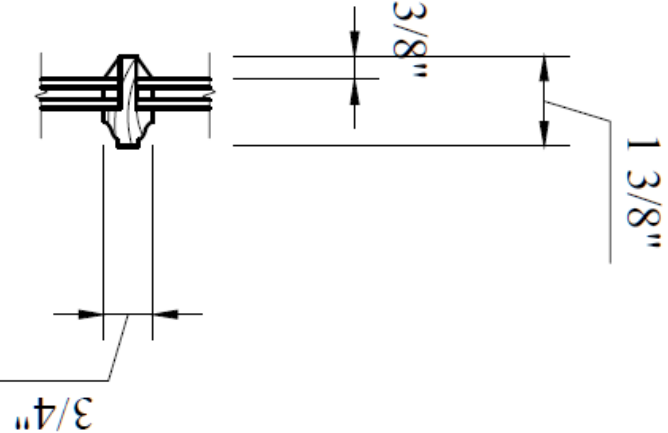
Existing and Proposed Roofplans



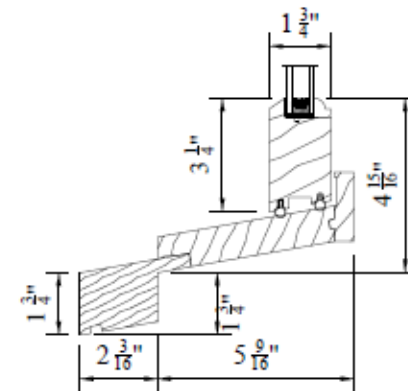
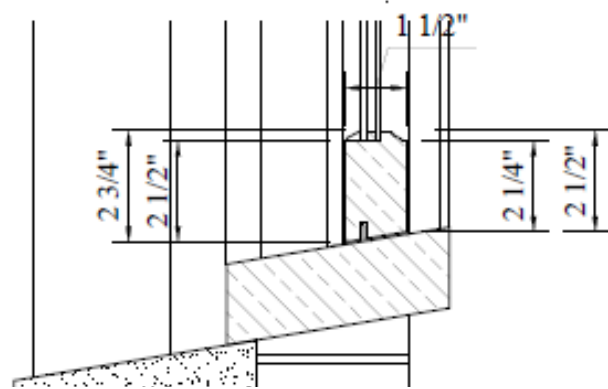
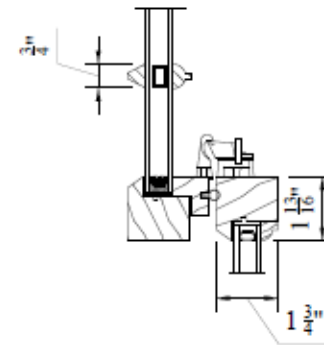
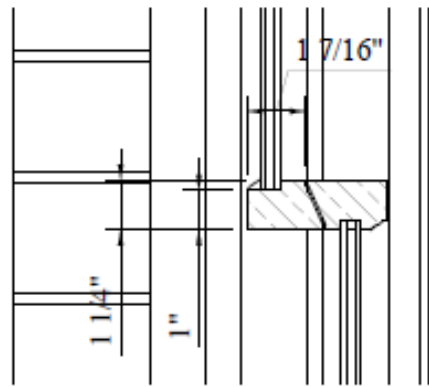
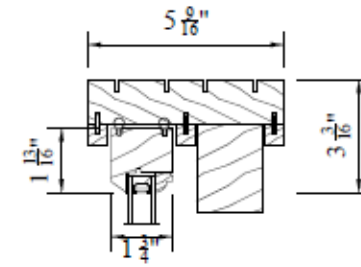
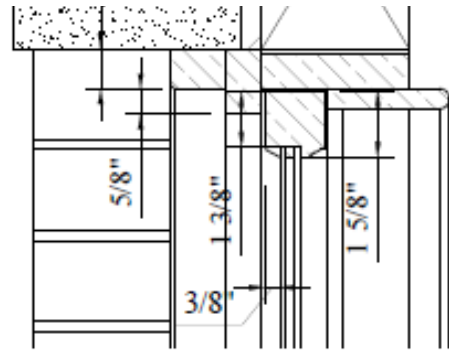
Existing and Proposed Site Plans



Existing and Proposed Window Shop Drawings



Existing and Proposed Window Shop Drawings



Proposed Plans Doorbell Cut Sheet



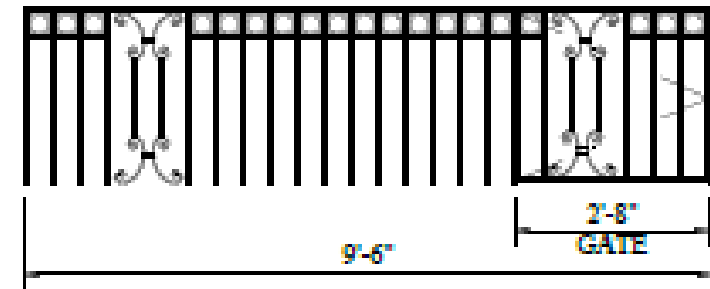
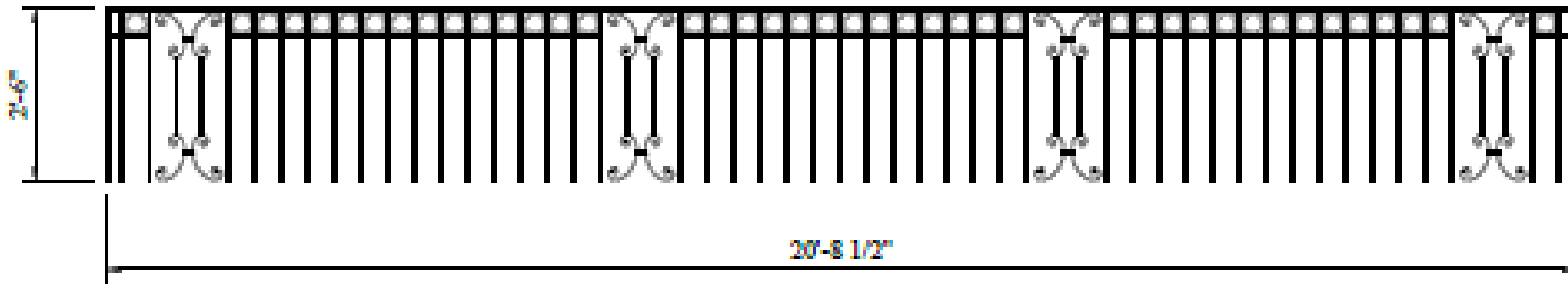
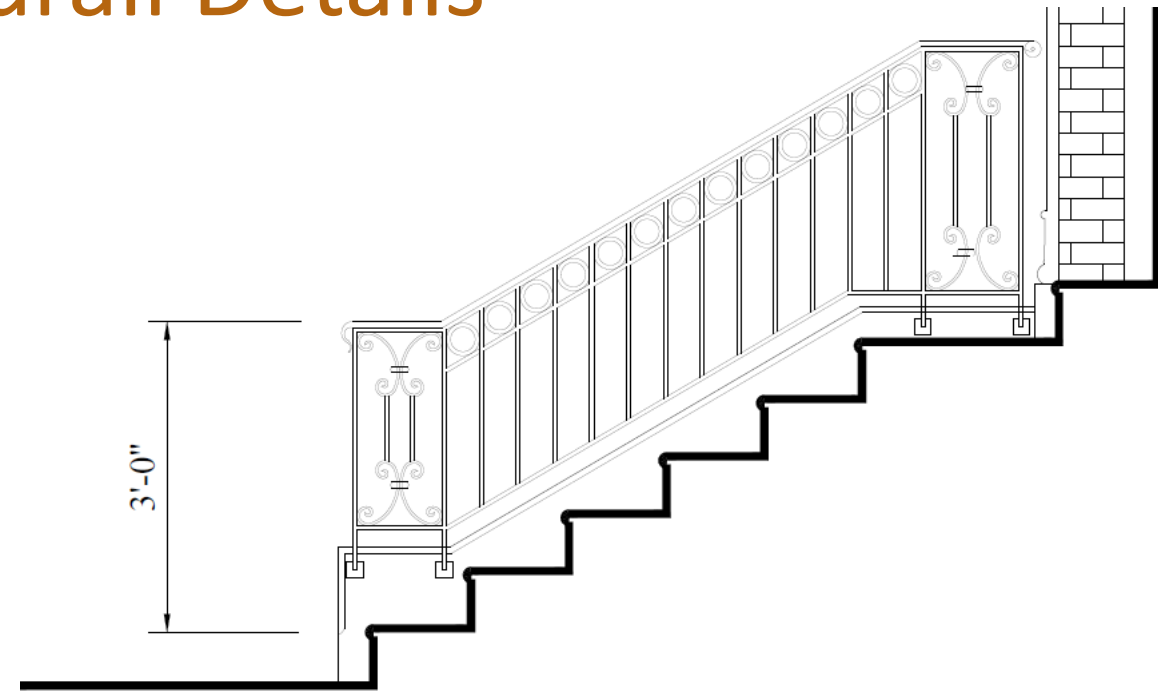
NEW INTER.COM
IN WOOD INSET PANEL

5

PROPOSED FRONT DOOR ELEVATION

V2-10'

Fence and Guardrail Details



4 PROPOSED GARDEN STEEL FENCE
1/2" - 1/4"

Proposed Planter Light



One Light Outdoor Wall Lantern

Item ID: **821532**
Finish: **Antique Brass**
Height: **10.5"**
Width/Dia.: **5"**

Notes:

Hand Crafted Solid Brass Outdoor Fixture. With Polished Chrome Stainless Steel Reflector.