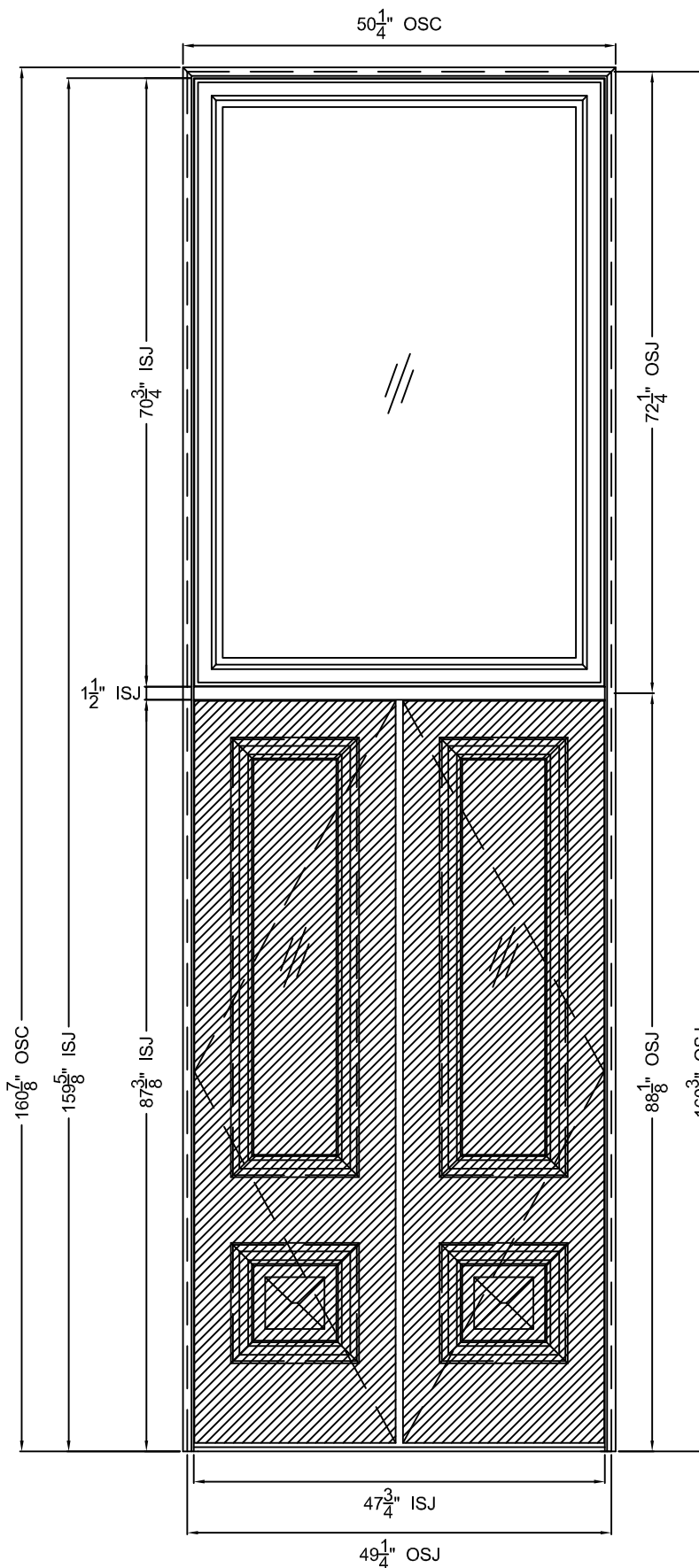


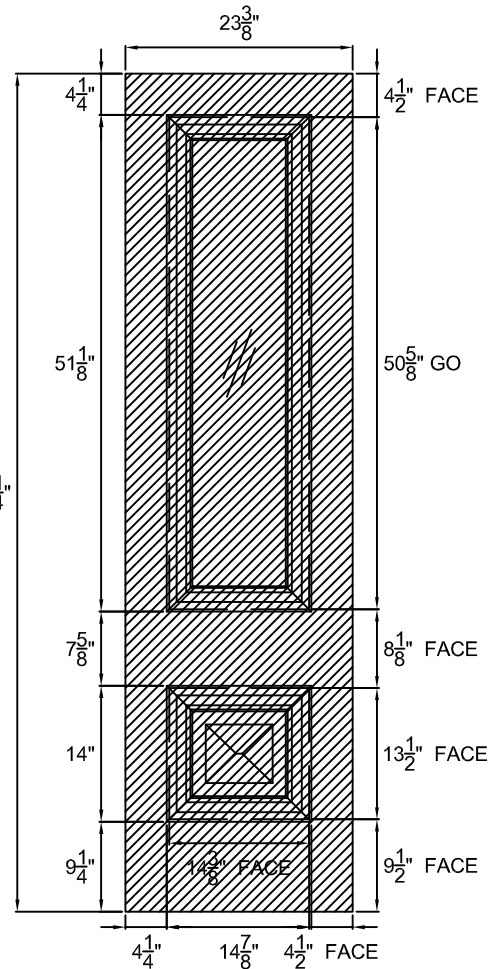


Existing door to be used in new entrance frame

27 Gray St



 *EXISTING CONDITIONS*



ROUGH OPENING MEASUREMENTS ARE DETERMINED BY ADDING 1" TO THE "OSJ" WIDTH AND $\frac{1}{2}$ " TO THE "OSJ" HEIGHT



Dallas Millwork Inc.
 PO Box 549 Hiram, GA. 30141
 770-943-3909 770-943-3900 FAX

APPROVED BY:

X _____

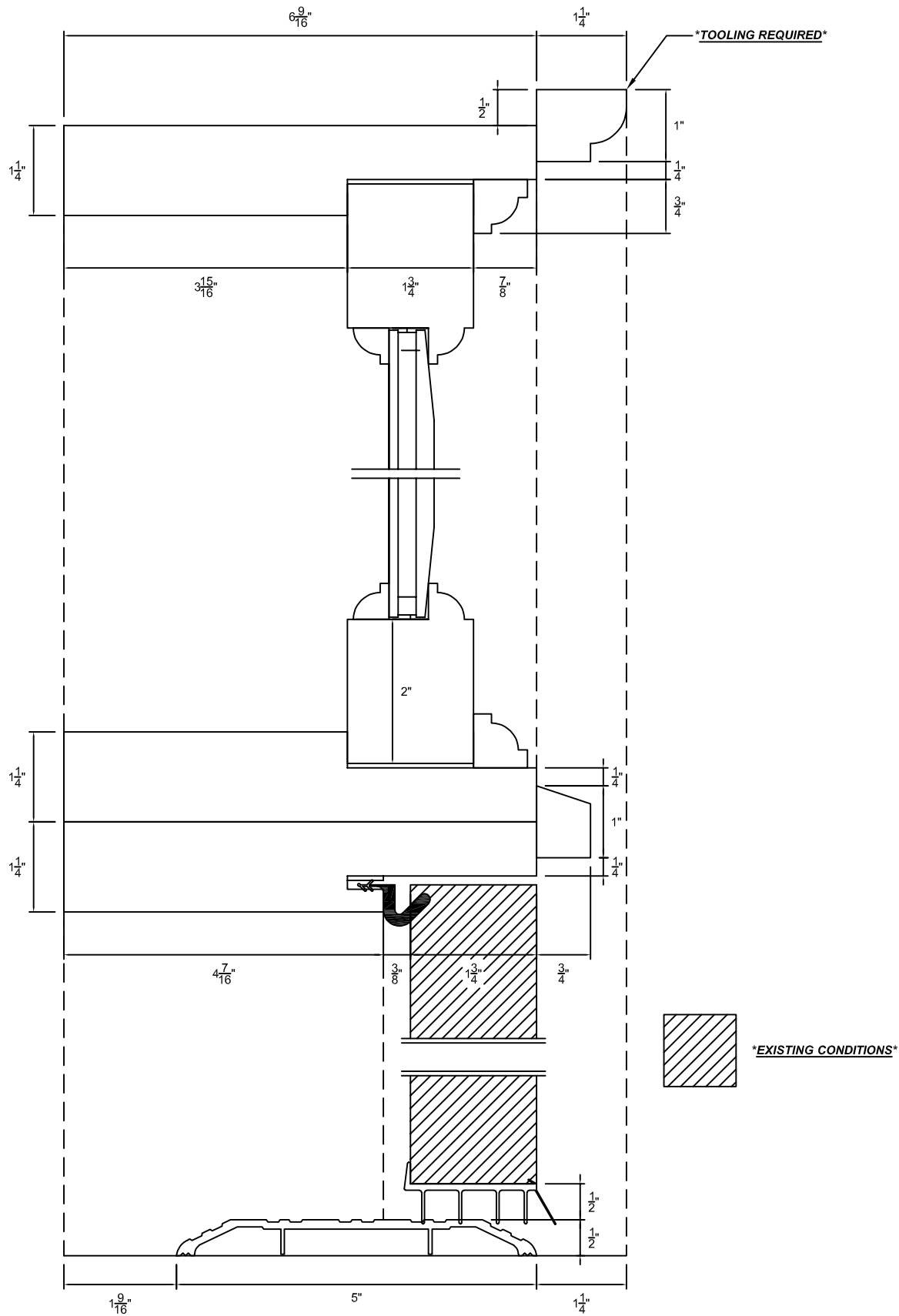
CUSTOMER
 Architectural Window
 Corp-Boston
 27 Grey St

DRAWING #
 JH11242002

DATE: 11-25-2020

REV. #: JH1

REV DATE: 12-3-2020



ROUGH OPENING MEASUREMENTS ARE DETERMINED BY ADDING 1" TO THE "OSJ" WIDTH AND $\frac{1}{2}$ " TO THE "OSJ" HEIGHT



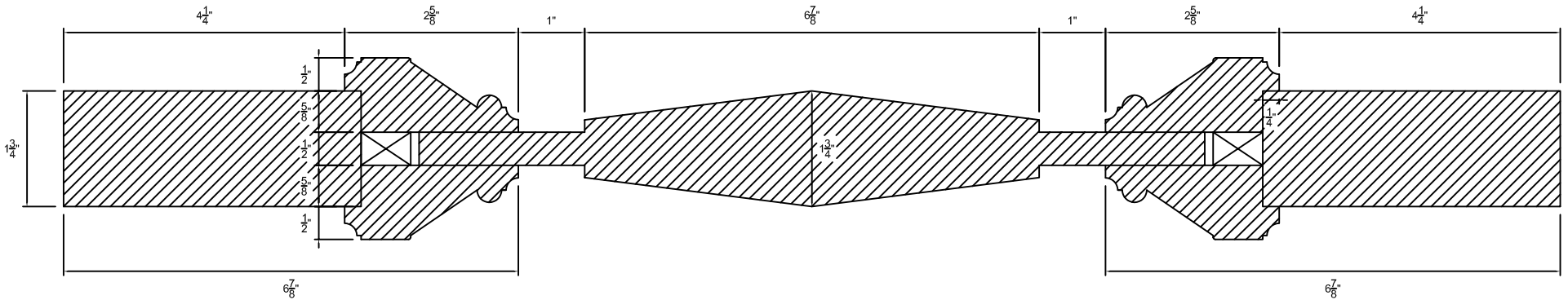
Dallas Millwork Inc.
PO Box 549 Hiram, GA. 30141
770-943-3909 770-943-3900 FAX
APPROVED BY:
X _____

CUSTOMER
Architectural Window
Corp-Boston
27 Grey St

DRAWING #
JH11242002
DATE: 11-25-2020
REV. #: JH1
REV DATE: 12-3-2020



EXISTING CONDITIONS



ROUGH OPENING MEASUREMENTS ARE DETERMINED BY ADDING 1" TO THE "OSJ" WIDTH AND $\frac{1}{2}$ " TO THE "OSJ" HEIGHT



Manufactured By:
Dallas Millwork Inc.
 PO Box 549 Hiram, GA. 30141
 770-943-3909
 770-943-3900-FAX

CUSTOMER
 Architectural Window
 Corp-Boston
 27 Grey St

APPROVED BY:

X

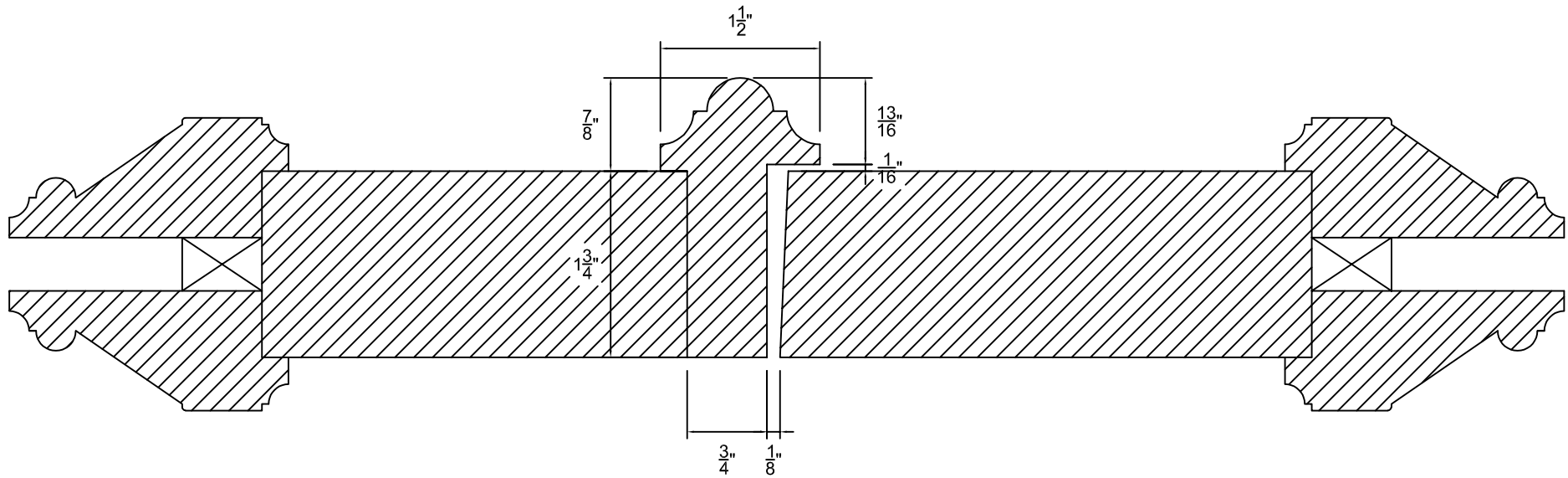
DRAWING#

JH11242002

DATE:11-25-2020

REV. #:JH1

REV DATE:12-3-2020



ROUGH OPENING MEASUREMENTS ARE DETERMINED BY ADDING 1" TO THE "OSJ" WIDTH AND $\frac{1}{2}$ " TO THE "OSJ" HEIGHT



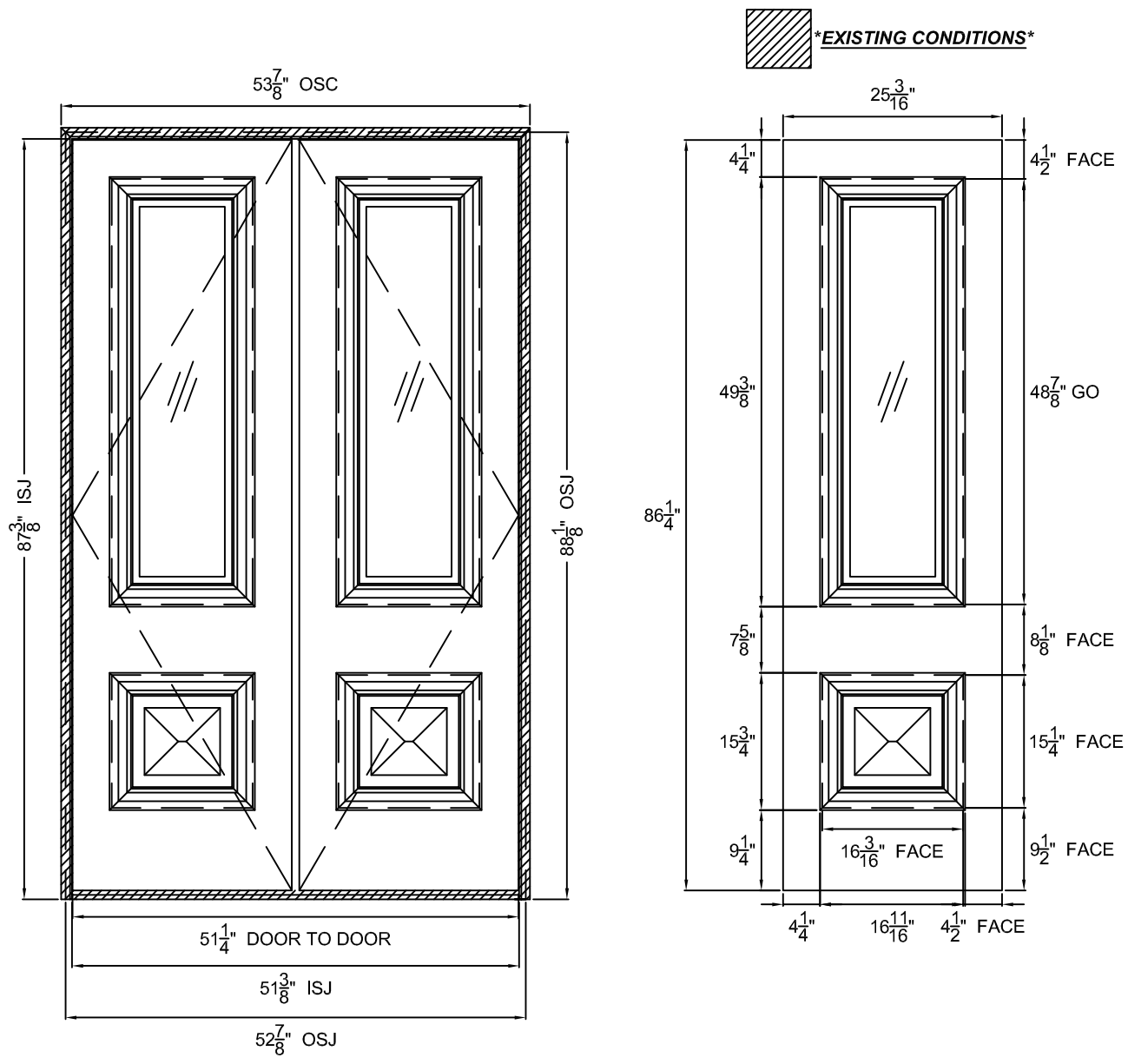
Manufactured By:
Dallas Millwork Inc.
 PO Box 549 Hiram, GA. 30141
 770-943-3909
 770-943-3900-FAX

CUSTOMER
 Architectural Window
 Corp-Boston
 27 Grey St

APPROVED BY:

 X

DRAWING#	JH11242002
DATE:	11-25-2020
REV. #:	JH1
REV DATE:	12-3-2020



ROUGH OPENING MEASUREMENTS ARE DETERMINED BY ADDING 1" TO THE "OSJ" WIDTH AND 1/2" TO THE "OSJ" HEIGHT



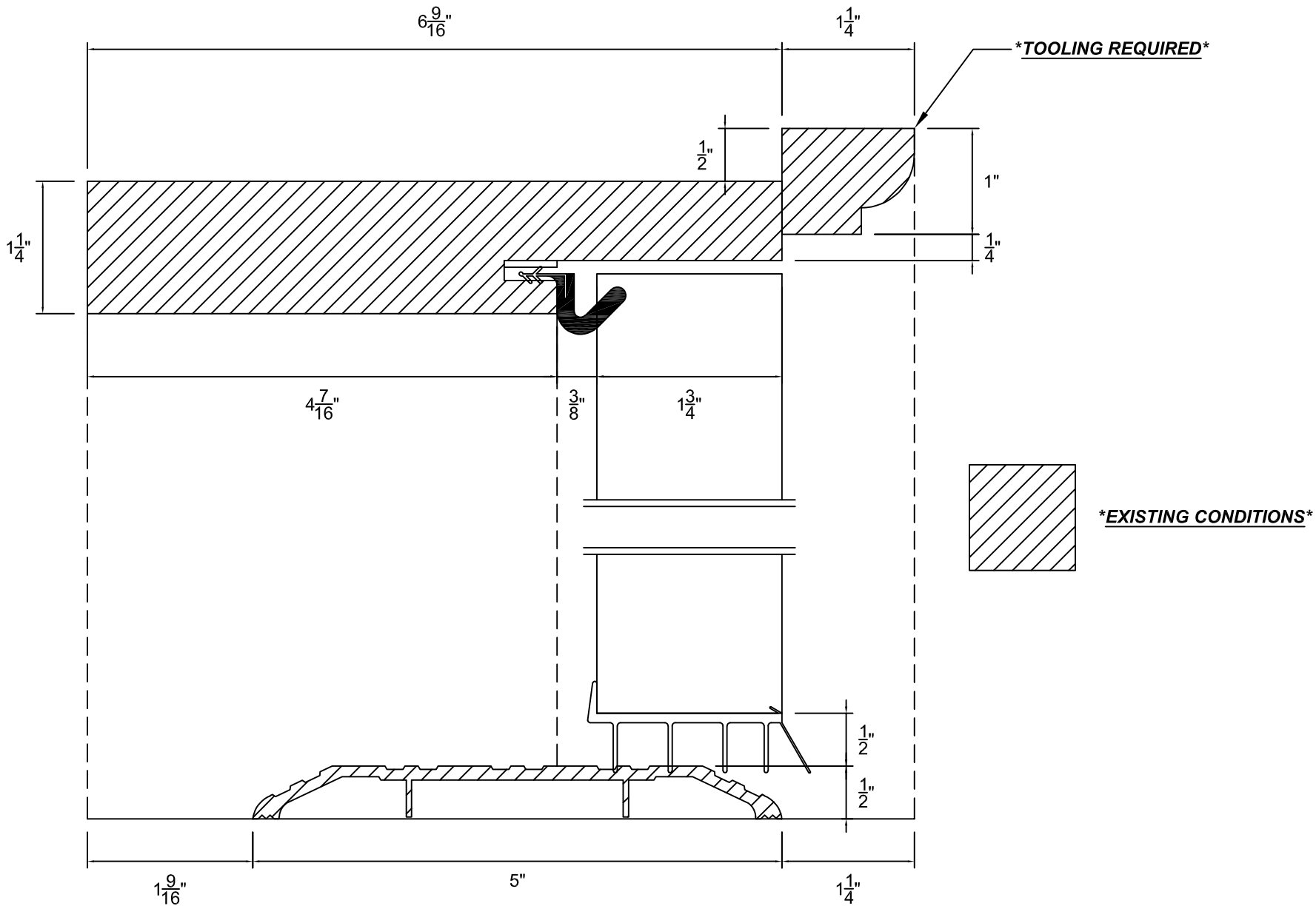
Manufactured By:
Dallas Millwork Inc.
 PO Box 549 Hiram, GA. 30141
 770-943-3909
 770-943-3900-FAX

CUSTOMER
Architectural Window
Corp-Boston
27 Grey St

APPROVED BY:

 X

DRAWING#
 JH11242002
 DATE:11-25-2020
 REV. #:JH1
 REV DATE:12-3-2020



ROUGH OPENING MEASUREMENTS ARE DETERMINED BY ADDING 1" TO THE "OSJ" WIDTH AND $\frac{1}{2}$ " TO THE "OSJ" HEIGHT



Manufactured By:
Dallas Millwork Inc.
 PO Box 549 Hiram, GA. 30141
 770-943-3909
 770-943-3900-FAX

CUSTOMER
 Architectural Window
 Corp-Boston
 27 Grey St

APPROVED BY:

X _____

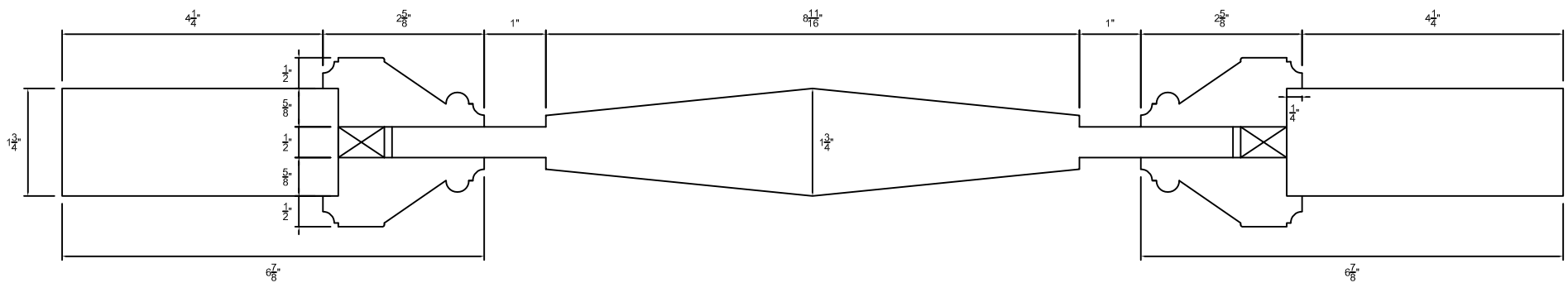
DRAWING#

JH11242002

DATE:11-25-2020

REV. #:JH1

REV DATE:12-3-2020



ROUGH OPENING MEASUREMENTS ARE DETERMINED BY ADDING 1" TO THE "OSJ" WIDTH AND 1/2" TO THE "OSJ" HEIGHT



Manufactured By:
Dallas Millwork Inc.
 PO Box 549 Hiram, GA. 30141
 770-943-3909
 770-943-3900-FAX

CUSTOMER
Architectural Window
Corp-Boston
27 Grey St

APPROVED BY:

X _____

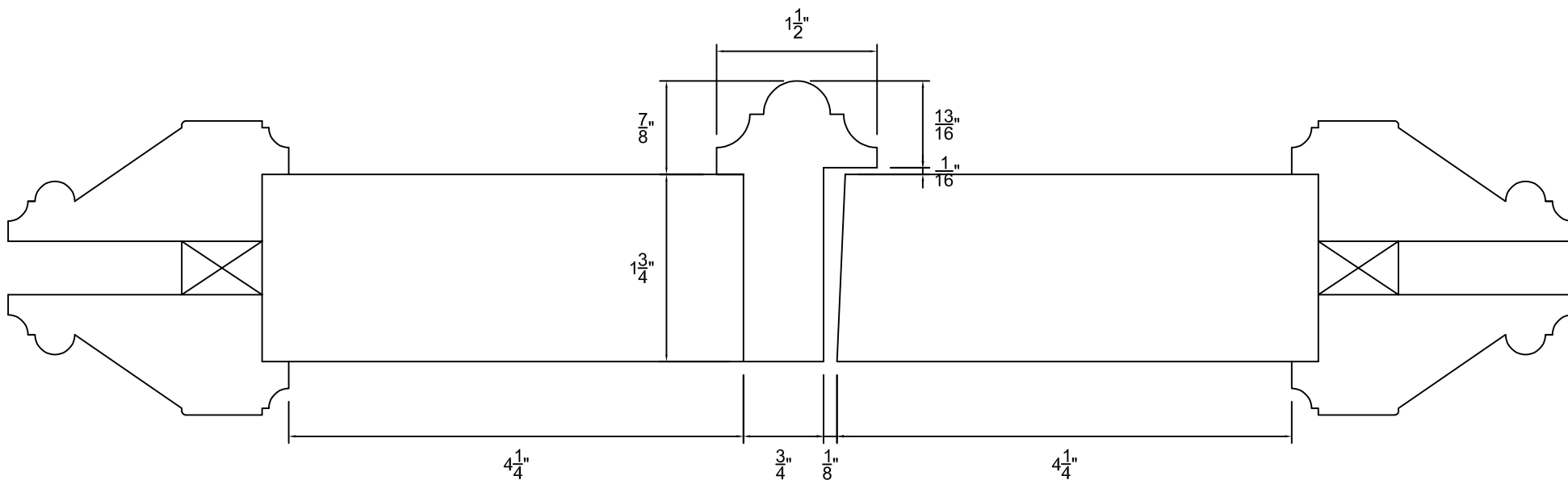
DRAWING#

JH11242002

DATE:11-25-2020

REV. #:JH1

REV DATE:12-3-2020



ROUGH OPENING MEASUREMENTS ARE DETERMINED BY ADDING 1" TO THE "OSJ" WIDTH AND $\frac{1}{2}$ " TO THE "OSJ" HEIGHT



Manufactured By:
Dallas Millwork Inc.
 PO Box 549 Hiram, GA. 30141
 770-943-3909
 770-943-3900-FAX

CUSTOMER
 Architectural Window
 Corp-Boston
 27 Grey St

APPROVED BY:

X _____

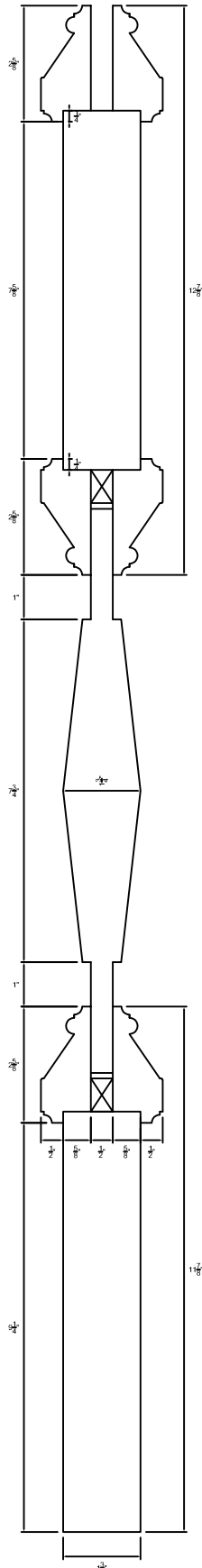
DRAWING#

JH11242002

DATE:11-25-2020

REV. #:JH1

REV DATE:12-3-2020



ROUGH OPENING MEASUREMENTS ARE DETERMINED BY ADDING 1" TO THE "OSJ" WIDTH AND 1/2" TO THE "OSJ" HEIGHT



Dallas Millwork Inc.
 PO Box 549 Hiram, GA. 30141
 770-943-3909 770-943-3900 FAX
 APPROVED BY:
 X _____

CUSTOMER
Architectural Window
Corp-Boston
27 Grey St

DRAWING #
JH11242002
DATE: 11-25-2020
REV. #: JH1
REV DATE: 12-3-2020



32 Gray Street



1 Taylor Street



26 Bradford Street



26 Bradford Street



5 & 7 Taylor Street



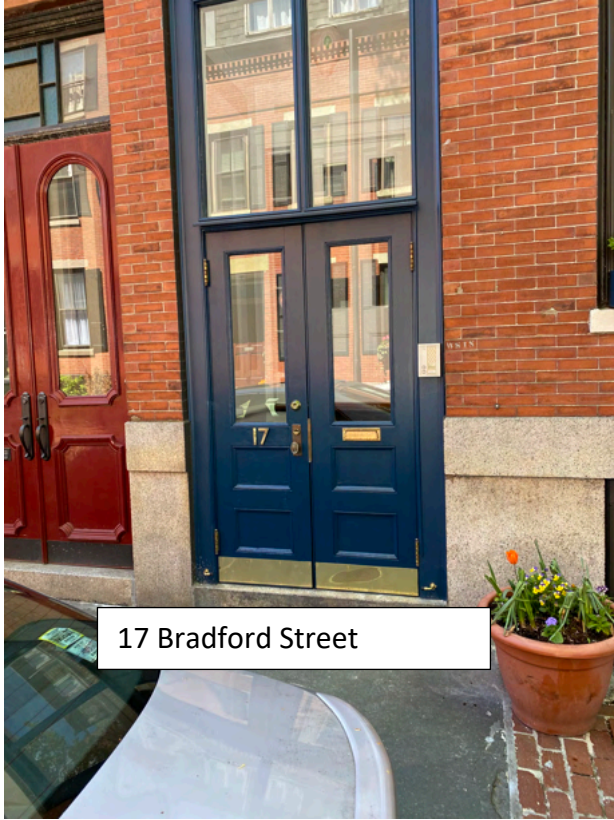
11A Taylor Street



15 Taylor Street



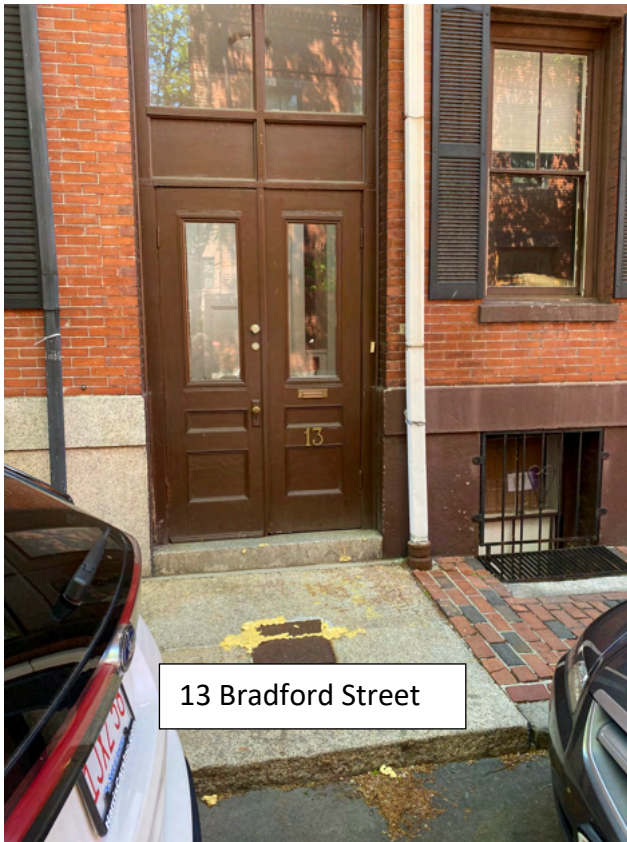
28 Bradford Street



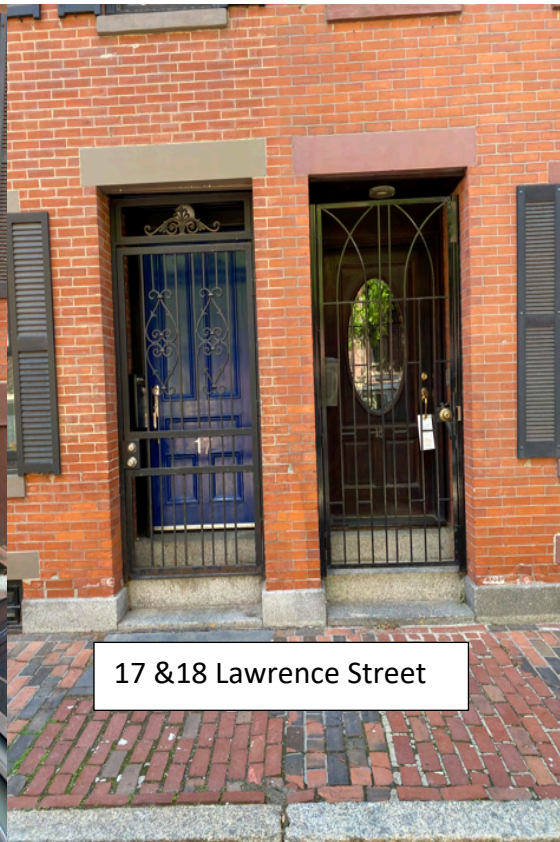
17 Bradford Street



15 Bradford Street



13 Bradford Street



17 & 18 Lawrence Street



15 Lawrence Street