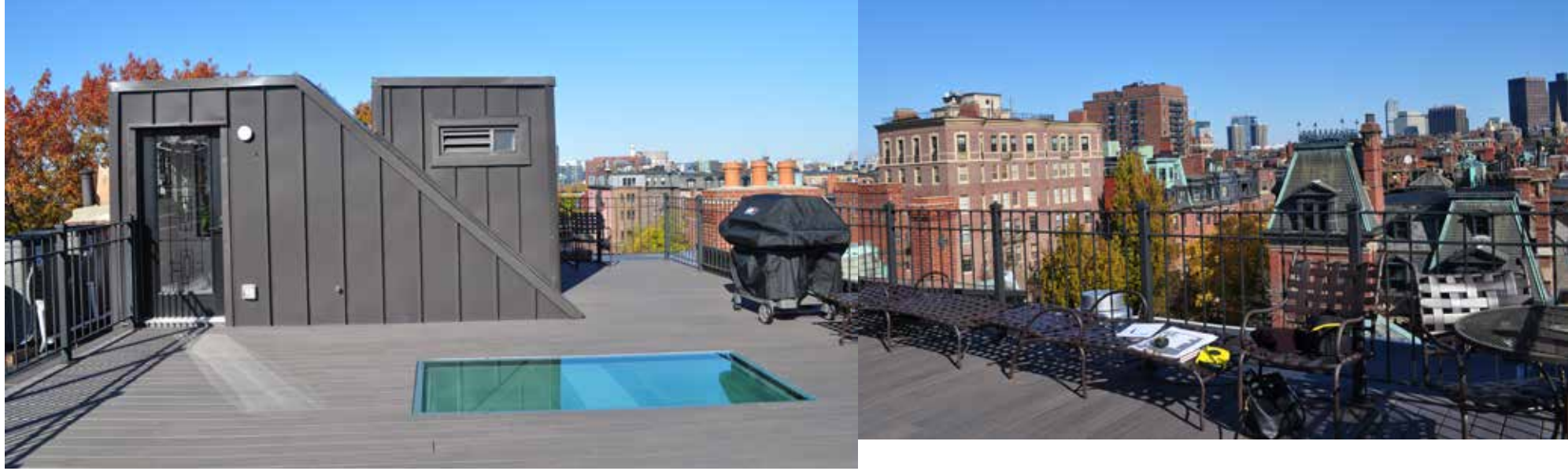




EXISTING CONDITIONS PHOTOS - STREET VIEW OF HEAD HOUSE/ STAIR ENCLOSURE
314 DARTMOUTH STREET - 2/17/21





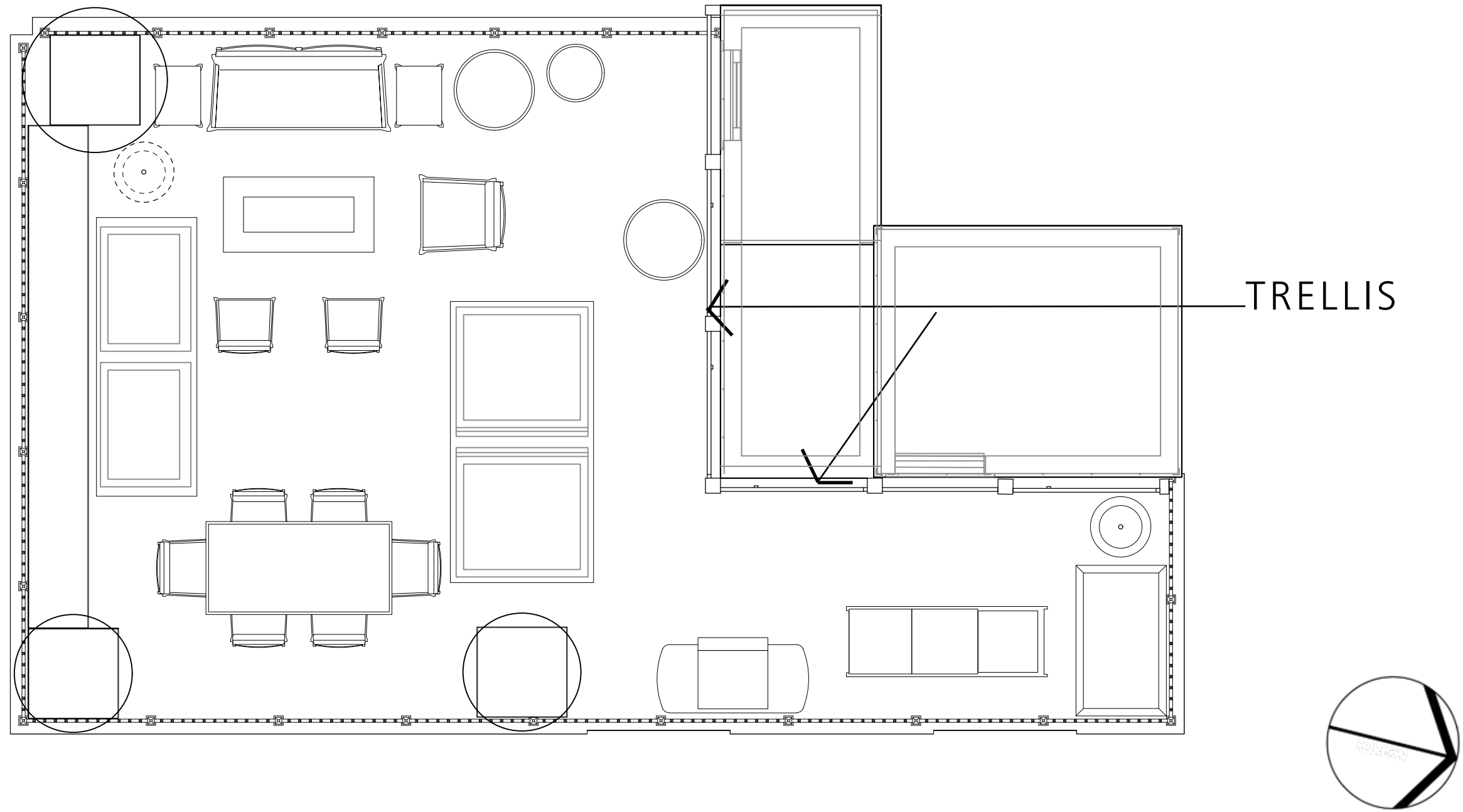
EXISTING CONDITIONS PHOTOS - HEAD HOUSE/ STAIR ENCLOSURE ON ROOF TOP
314 DARTMOUTH STREET - 2/17/21





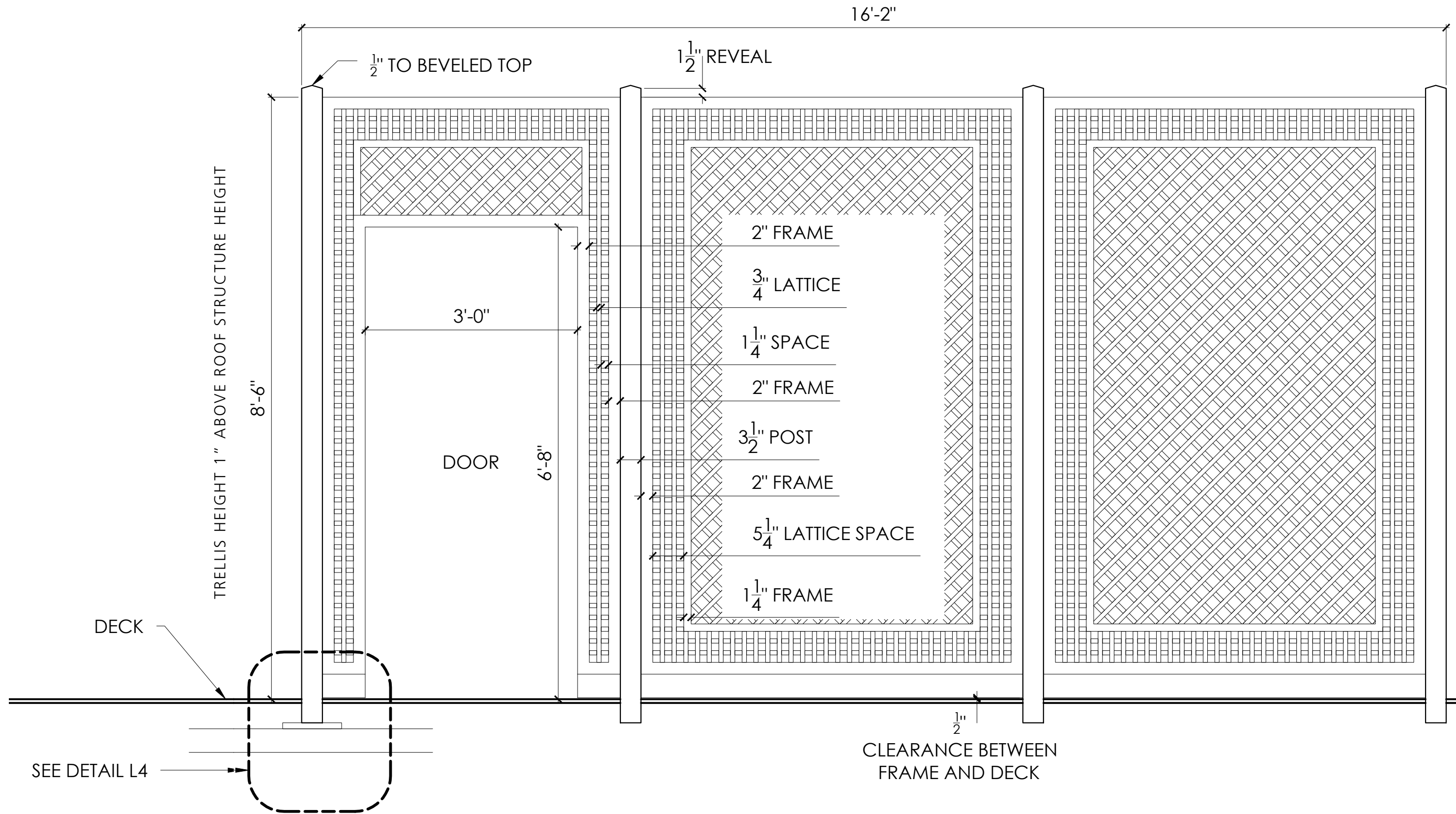
PROPOSED 3D VIEW OF ROOF TOP WITH TRELLIS PROTOTYPE
314 DARTMOUTH STREET - 2/17/21





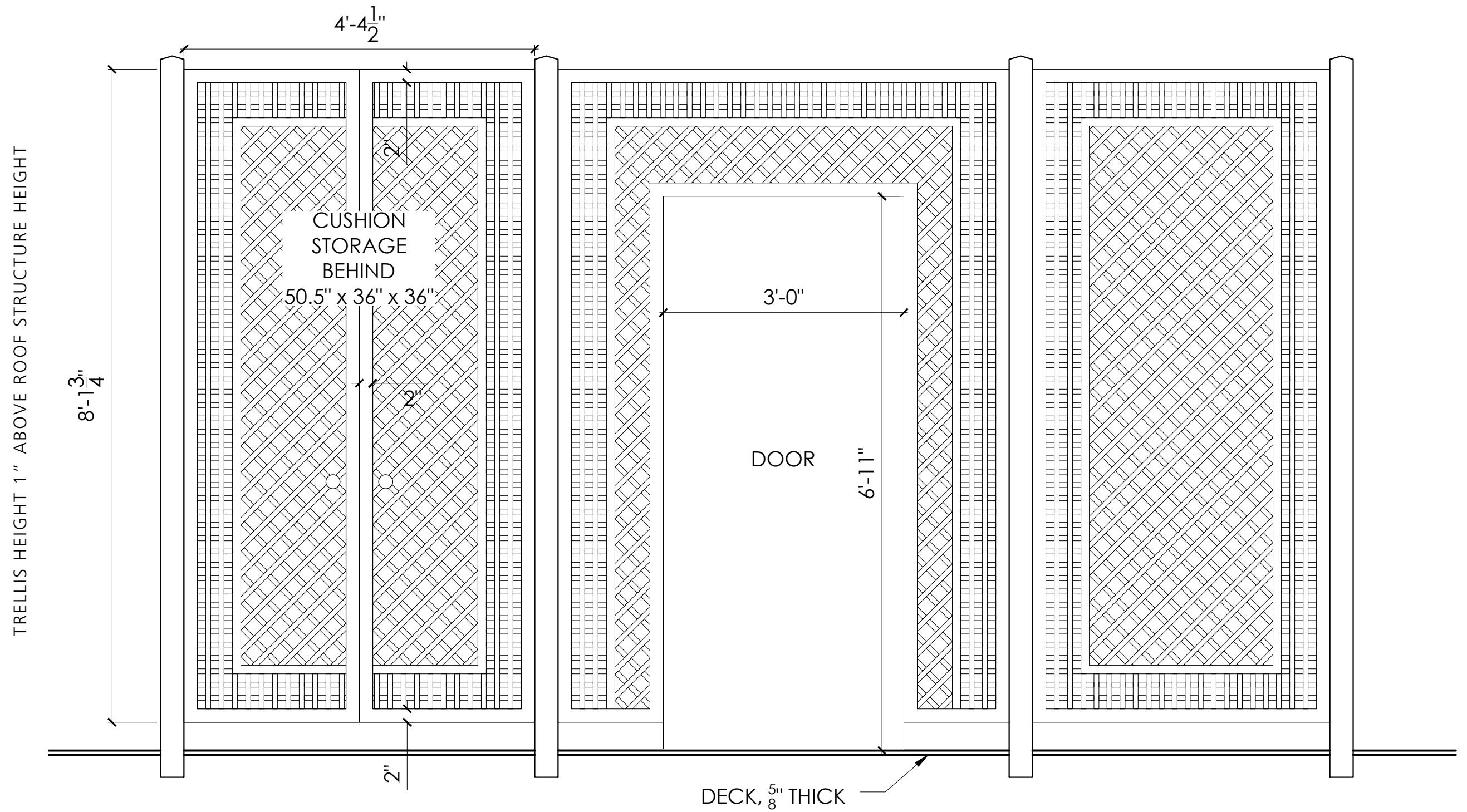
PROPOSED ROOF PLAN SHOWING TRELLIS AT HEAD HOUSE/ STAIR ENCLOSURE - SCALE; 1/4" = 1'-0"
 314 DARTMOUTH STREET - 2/17/21





TRELLIS - SOUTH ELEVATION - SCALE: 3/4" = 1'-0"
 314 DARTMOUTH STREET - 2/17/21



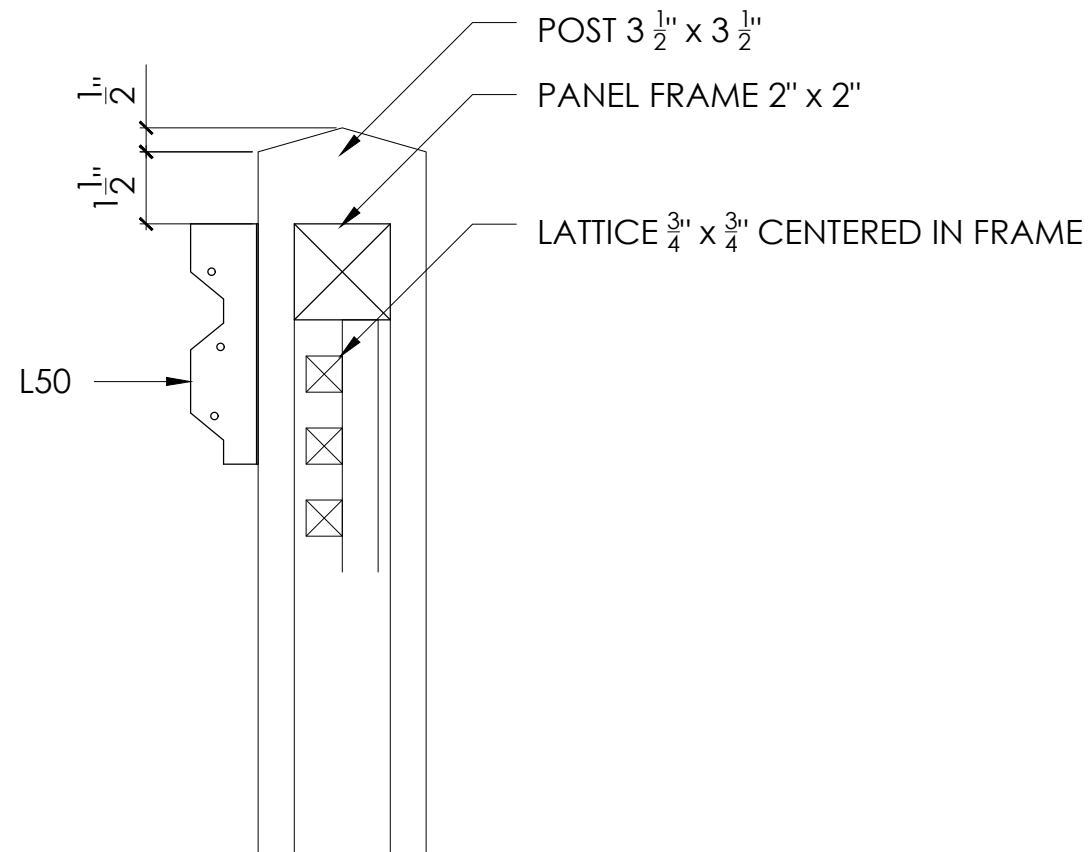


TRELLIS - EAST ELEVATION - SCALE: 3/4" = 1'-0"
 314 DARTMOUTH STREET - 2/17/21

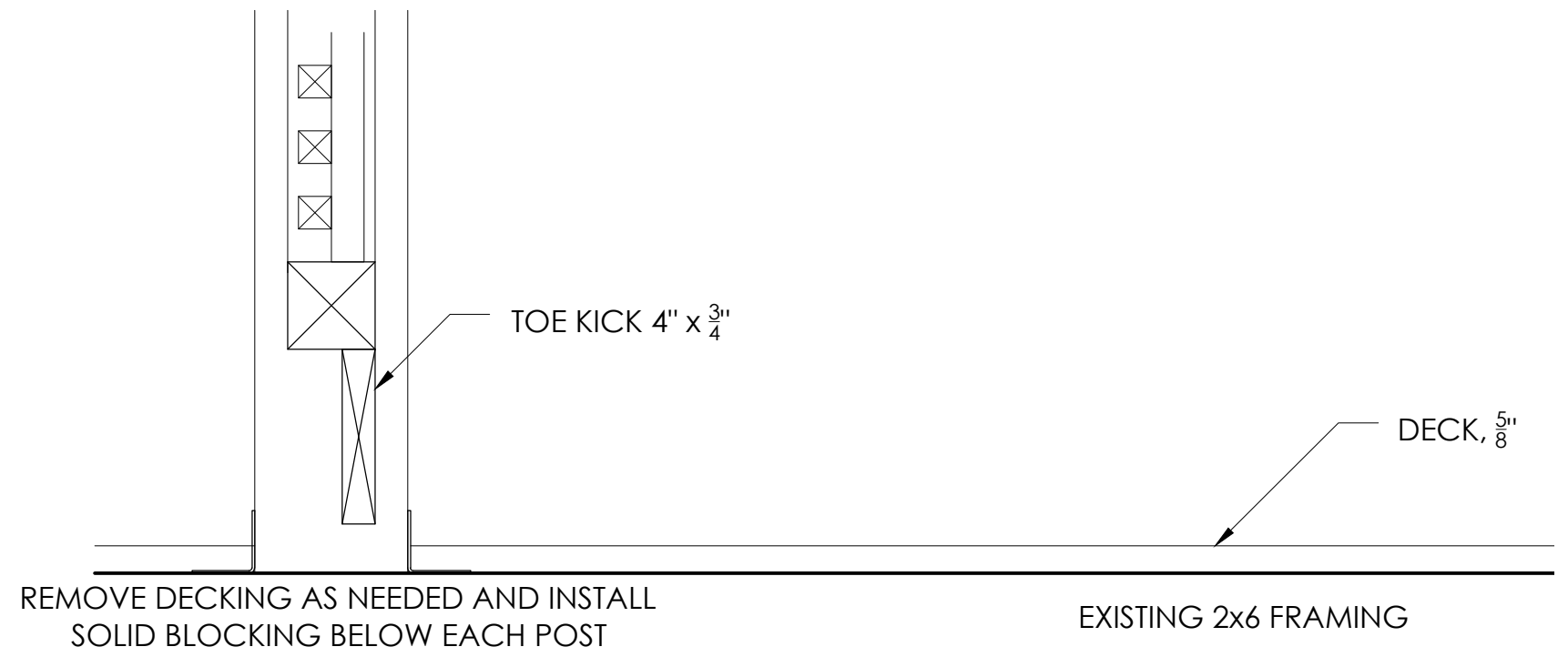


INSTALL SIMPSON STRONG-TIE L50
 REINFORCING BRACKET WITH
 100 X 1.5" JOIST NAILS

2 @ BOTTOM
 1 @ TOP
 1 @ MIDSPAN, IF POSSIBLE



L3 TRELLIS - TOP DETAIL
 SCALE: 3" = 1'-0"



L4 TRELLIS - BOTTOM/TOP DETAIL
 SCALE: 3" = 1'-0"

