



FRENCH CULTURAL CENTER

53 MARLBOROUGH / 300 BERKELEY STREET

10.28.2020

11.12.2020 PRESENTATION

STERN McCafferty



53 MARLBOROUGH ENTRANCE GUARD RAIL (page 11)

Repair / replace existing damaged railing with new painted iron railing to match existing (seeking administrative review)

REPLACE EXISTING EXHAUST FAN

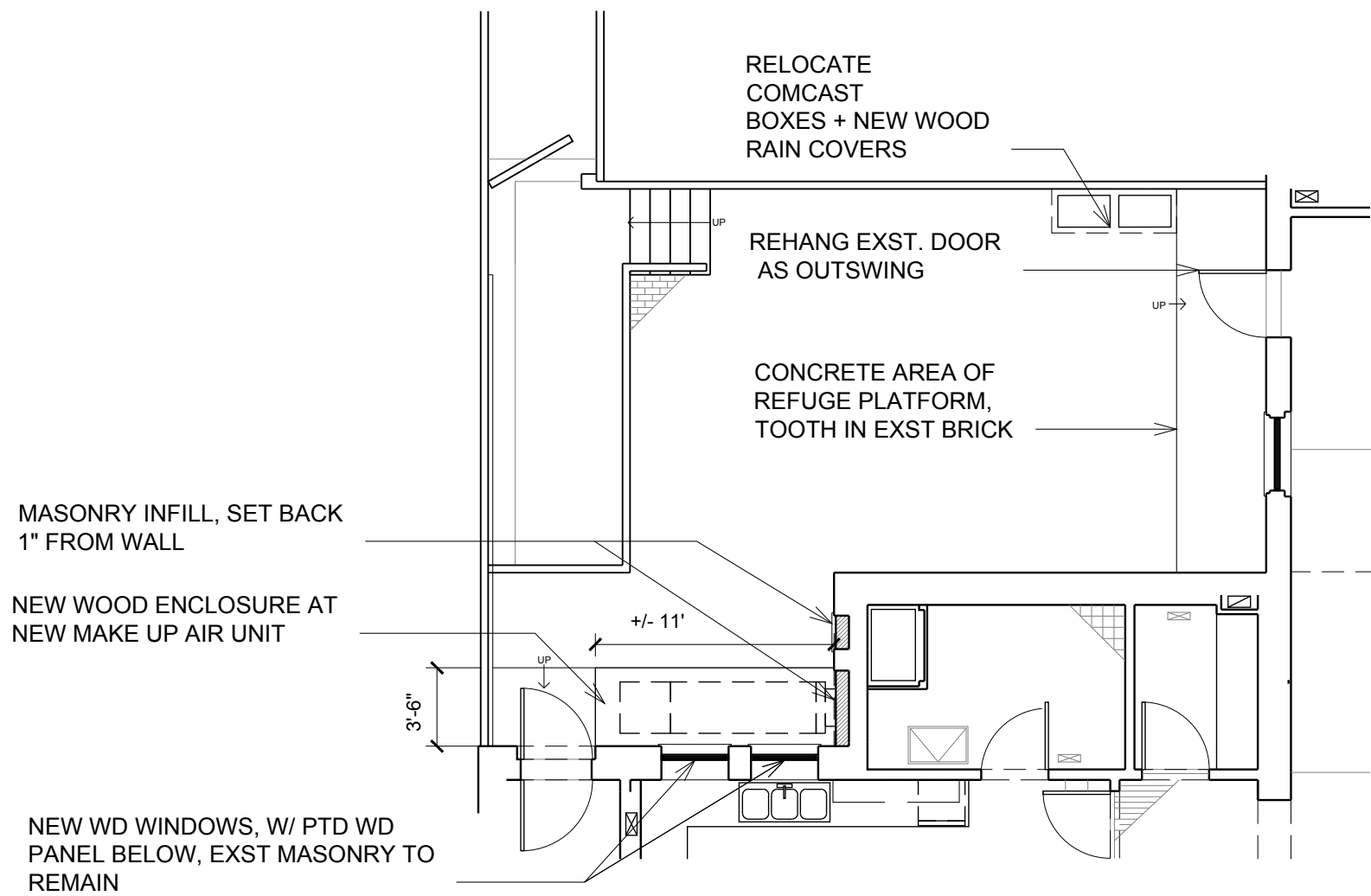
Replace existing exhaust fan with new Greenheck CSW-13-BI-21 + spring isolators. Existing sound attenuation enclosure will remain. This scope is not visible from a public way.

REAR COURTYARD (pages 3-6)

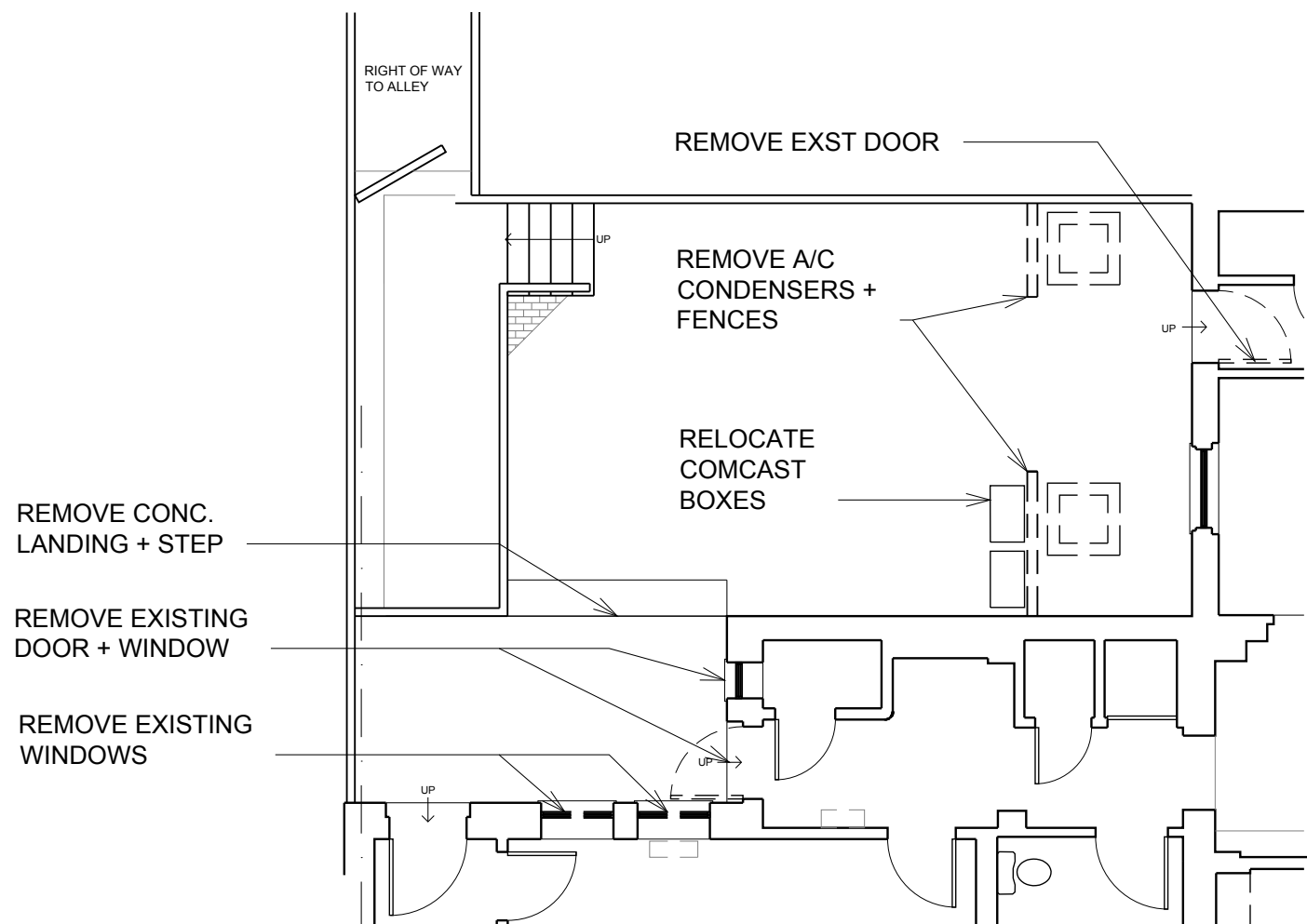
Remove 2 existing condensers and concrete pad; replace two windows; masonry infill at one window and one door; reverse swing of existing door. Install new make up air hvac unit, with duct penetration through masonry infill. Install wood enclosure + sound attenuation around make up air unit. Relocate Comcast battery backups + provide angled wood rain covers. This scope is not visible from a public way.

300 BERKELEY ROOFTOP A/C CONDENSERS (pages 7-10)

Remove 3 existing rooftop condensers; install 2 new air source heat pump on spring isolation dampers. This scope is not visible from a public way.



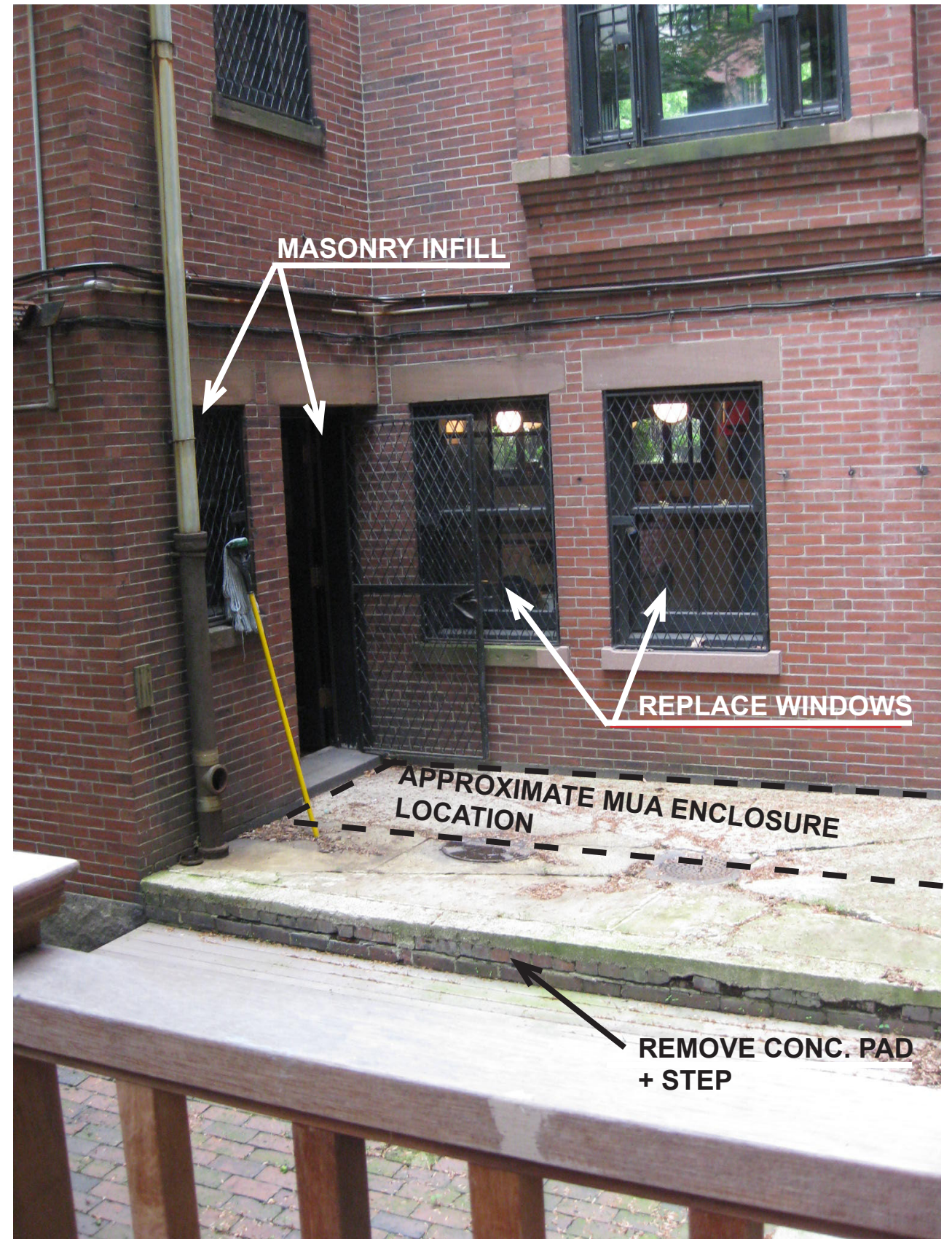
2 PROPOSED COURTYARD PLAN
1/8" = 1'-0"



1 EXISTING COURTYARD PLAN
1/8" = 1'-0"



EXISTING VIEW FROM PUBLIC ALLEY 420



EXISTING WINDOWS + DOORS IN REAR COURTYARD



EXISTING COURTYARD + COMCAST BOXES

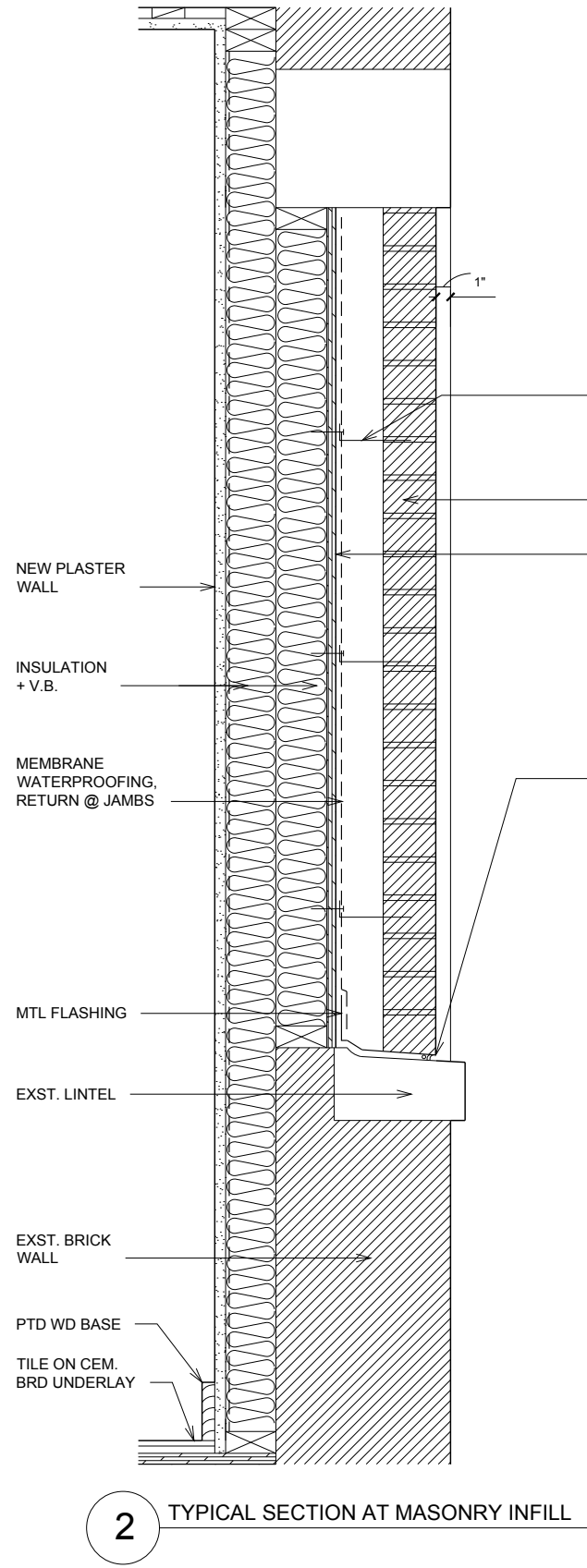


EXISTING COURTYARD

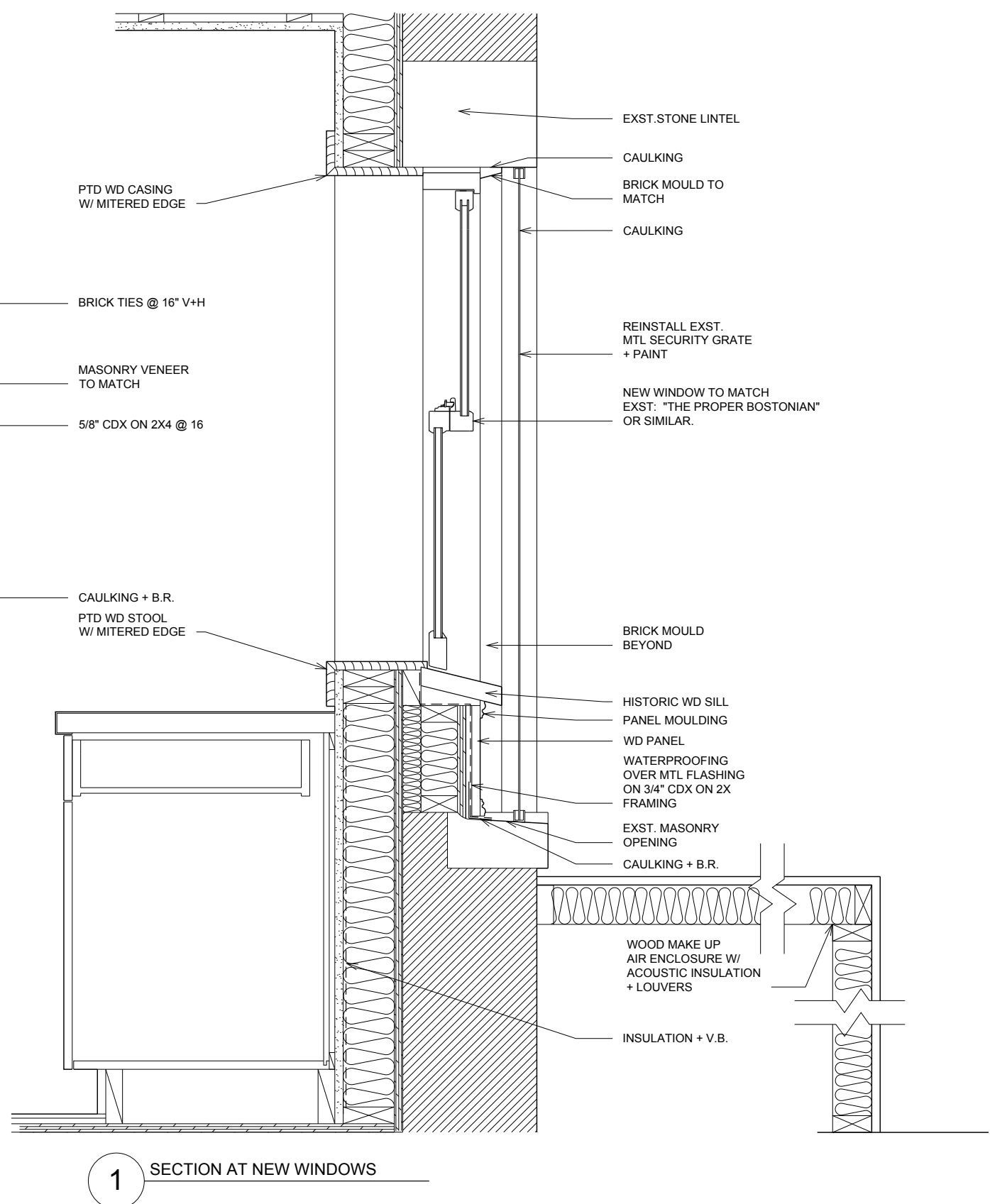
FRENCH CULTURAL CENTER
53 MARLBOROUGH / 300 BERKELEY STREET

IEWS OF EXISTING REAR COURTYARD

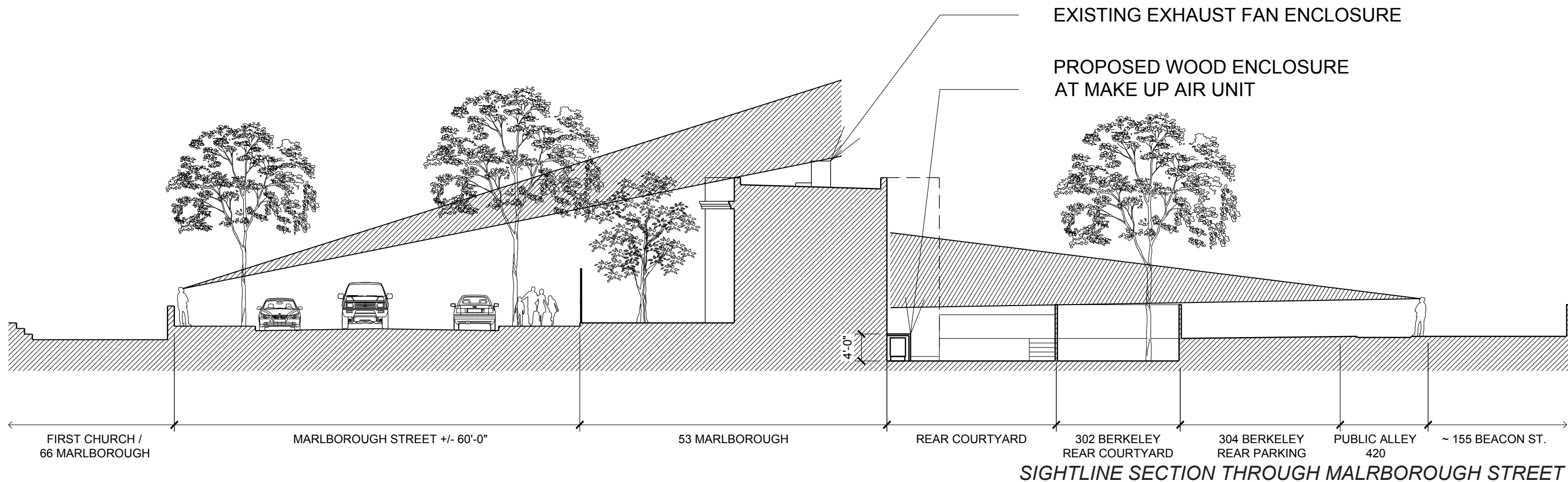
SCALE: N/A
DATE: 10.28.2020



2 TYPICAL SECTION AT MASONRY INFILL

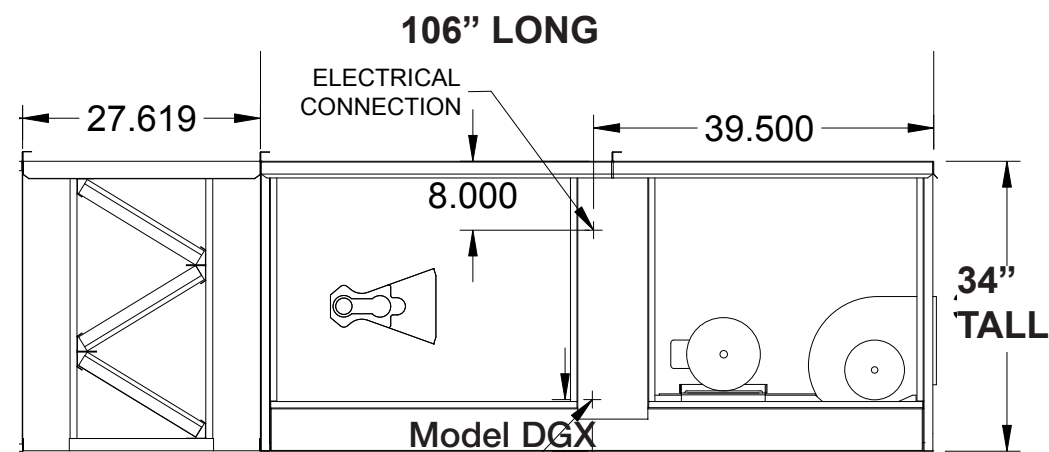


1 SECTION AT NEW WINDOWS

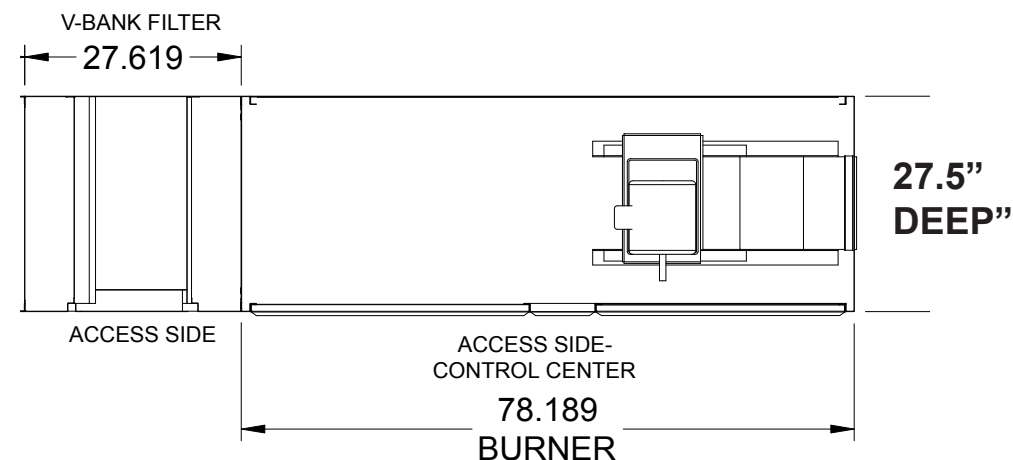


Model DG

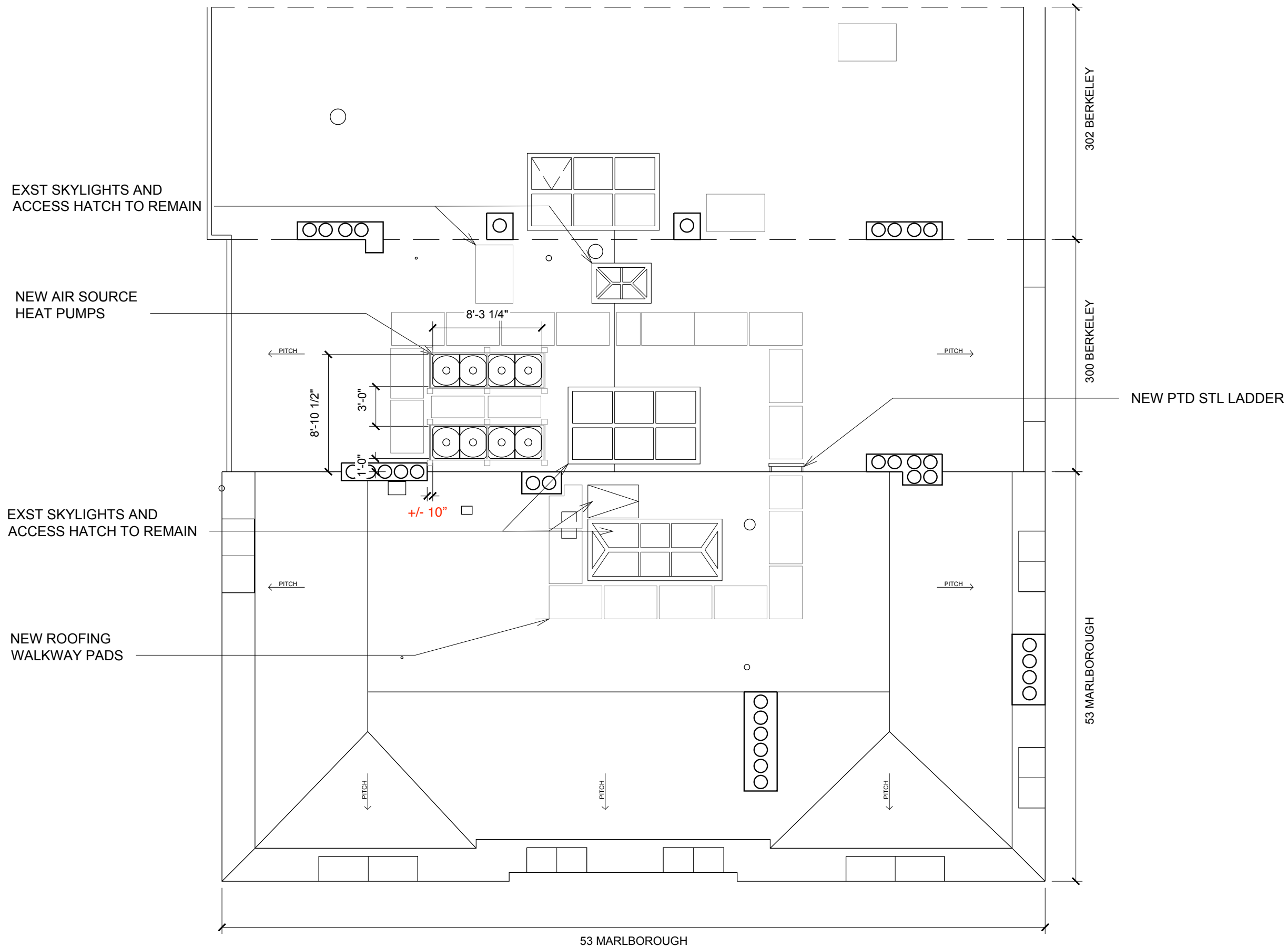
GREENHECK DG-110-H10 DIRECT FIRED MAKE UP AIR UNIT



MUA SIDE VIEW



MUA PLAN VIEW





FACING BERKELEY STREET



FACING REAR COURTYARD

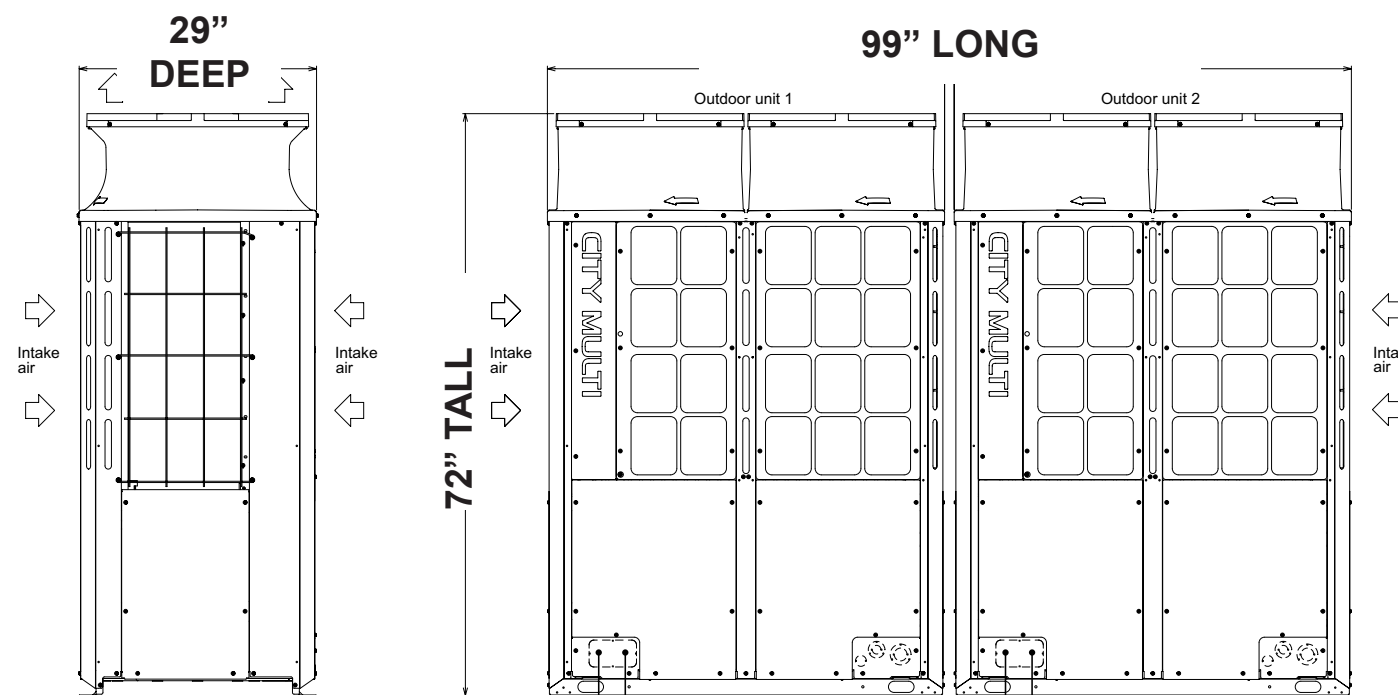
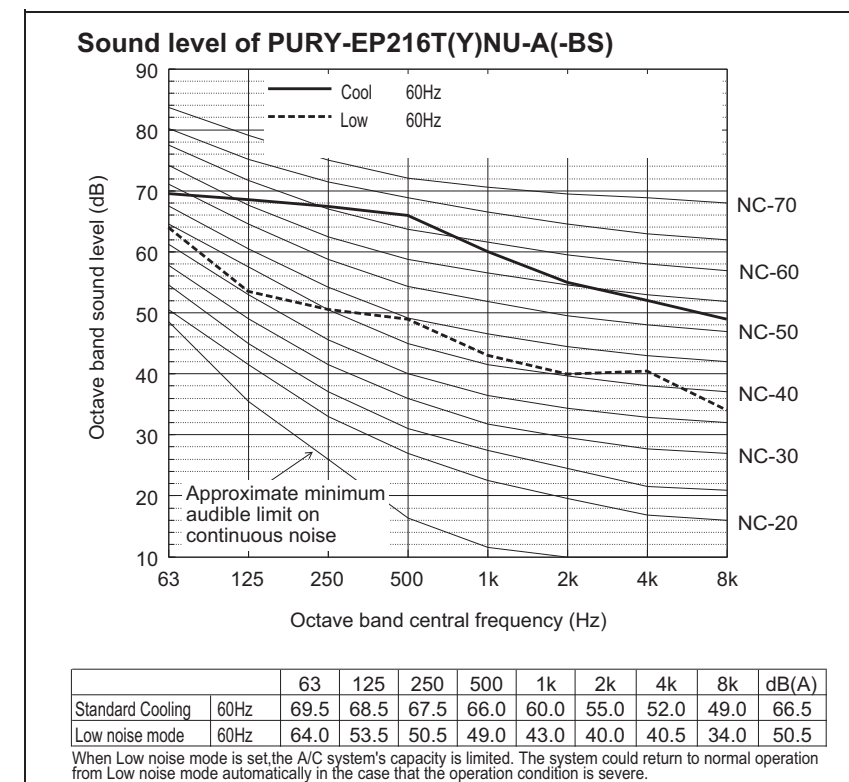


FACING 302 BERKELEY

FRENCH CULTURAL CENTER
53 MARLBOROUGH / 300 BERKELEY STREET



MITSUBISHI PURY EP216



EXISTING 300 BERKELEY ROOF + PROPOSED CONDENSERS

SCALE: NA
DATE: 10.28.2020

NEW AIR SOURCE HEAT PUMP UNITS ON BERKELEY ROOF



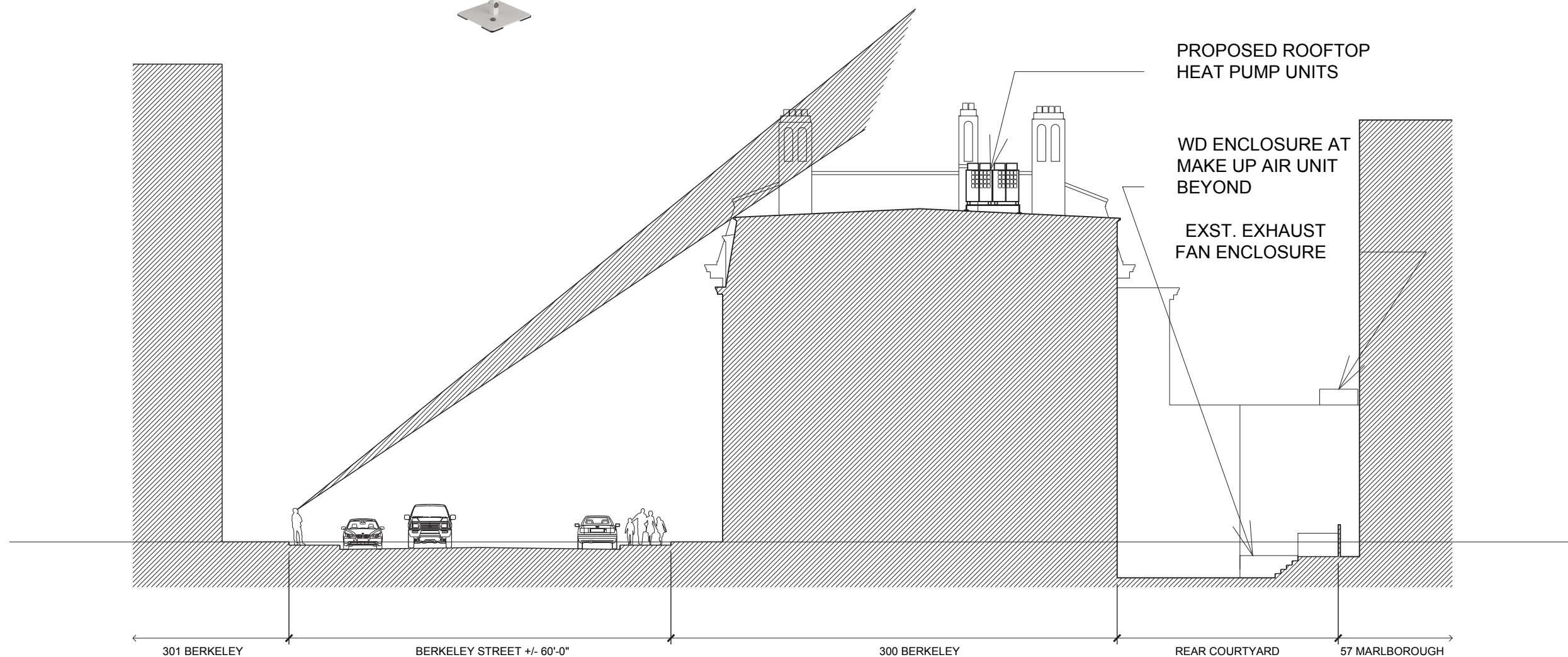
FRENCH CULTURAL CENTER
53 MARLBOROUGH / 300 BERKELEY STREET

PROPOSED ELEVATIONS
SCALE: NA
DATE: 10.28.2020

PROPOSED HVAC SUPPORTS
(MITSUBISHI SS100M; 12" TALL)



PROPOSED SPRING ISOLATION SYSTEM
(KINETICS FHS OR SIMILAR, ~ 6" TALL)









VIEW OF EXISTING HAND/GUARDRAIL TO BE REPAIRED/REPLACED