

# WEST NEWTON STREET AND RUTLAND STREET APARTMENTS

54-102 WEST NEWTON STREET,  
BOSTON (SOUTH END)

SOUTH END LANDMARK DISTRICT COMMISSION HEARING  
PRESENTATION



## EXTERIOR HANDRAIL DETAILS (SKA-40A, SKA-40B, SKA-40C)

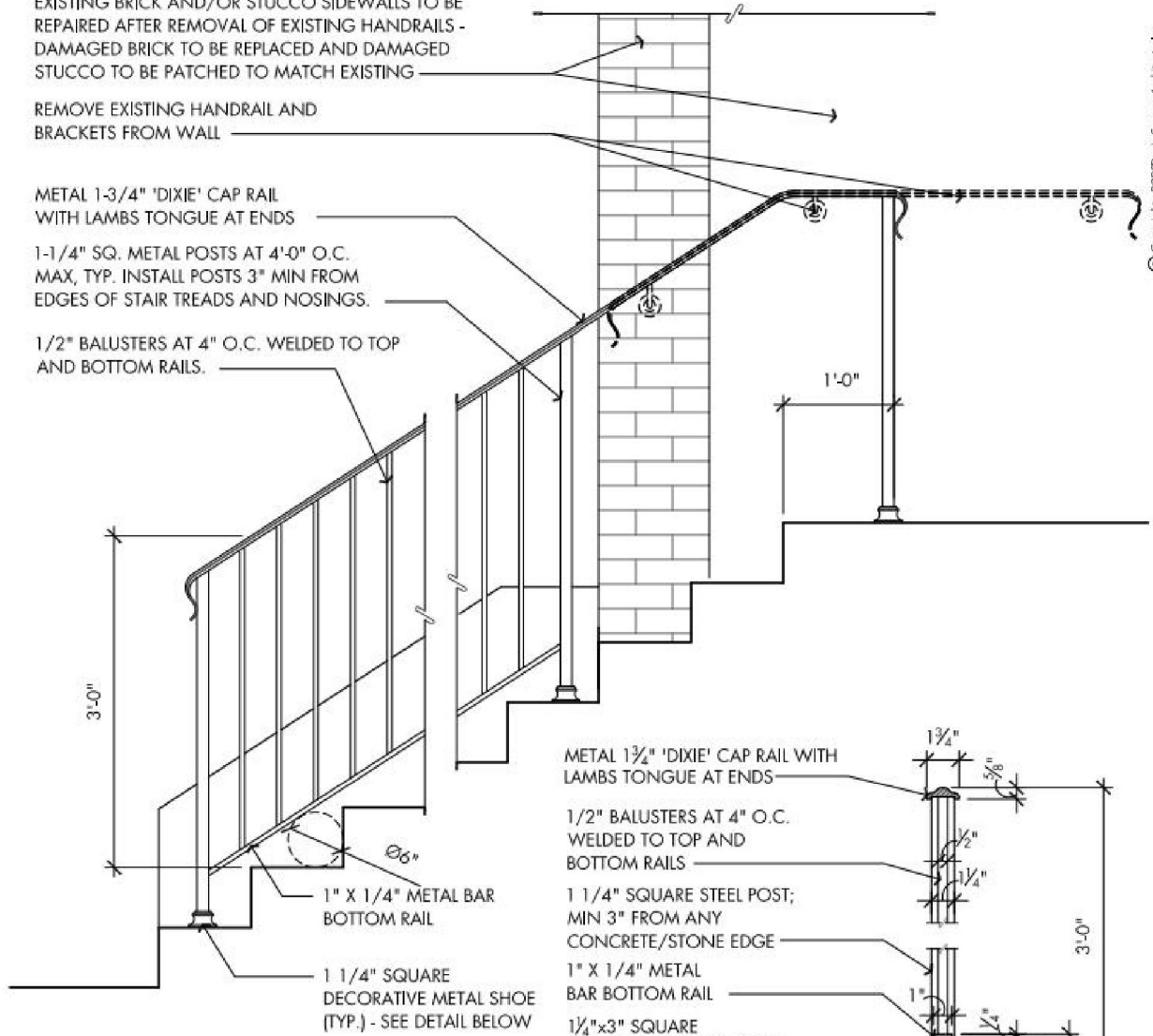
EXISTING BRICK AND/OR STUCCO SIDEWALLS TO BE REPAIRED AFTER REMOVAL OF EXISTING HANDRAILS - DAMAGED BRICK TO BE REPLACED AND DAMAGED STUCCO TO BE PATCHED TO MATCH EXISTING

REMOVE EXISTING HANDRAIL AND BRACKETS FROM WALL

METAL 1-3/4" 'DIXIE' CAP RAIL WITH LAMBS TONGUE AT ENDS

1-1/4" SQ. METAL POSTS AT 4'-0" O.C. MAX. TYP. INSTALL POSTS 3" MIN FROM EDGES OF STAIR TREADS AND NOSINGS.

1/2" BALUSTERS AT 4" O.C. WELDED TO TOP AND BOTTOM RAILS.



STAIR / RAILING SECTION DETAIL  
SCALE: 3/4" = 1'-0"

METAL 1 3/4" 'DIXIE' CAP RAIL WITH LAMBS TONGUE AT ENDS

1/2" BALUSTERS AT 4" O.C. WELDED TO TOP AND BOTTOM RAILS

1 1/4" SQUARE STEEL POST; MIN 3" FROM ANY CONCRETE/STONE EDGE

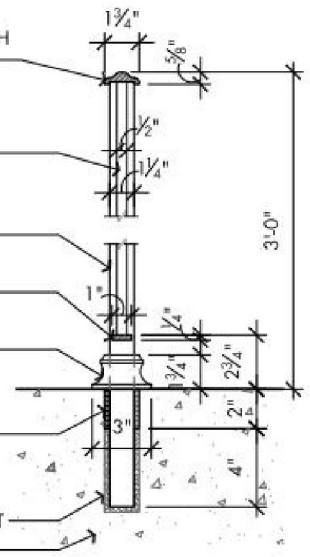
1" X 1/4" METAL BAR BOTTOM RAIL

1 1/4" SQUARE DECORATIVE METAL SHOE

3/8" COMPRESSIBLE FILLER JOINT AT ALL SIDES, TYP EACH POST.

3/8" NON-SHRINK GROUT AT ALL SIDES AND BOTTOM OF COLUMN BASE, TYP. EACH POST

STAIR/STAIR LANDING



ENLARGED RAILING SECTION DETAIL  
SCALE: 1 1/2" = 1'-0"

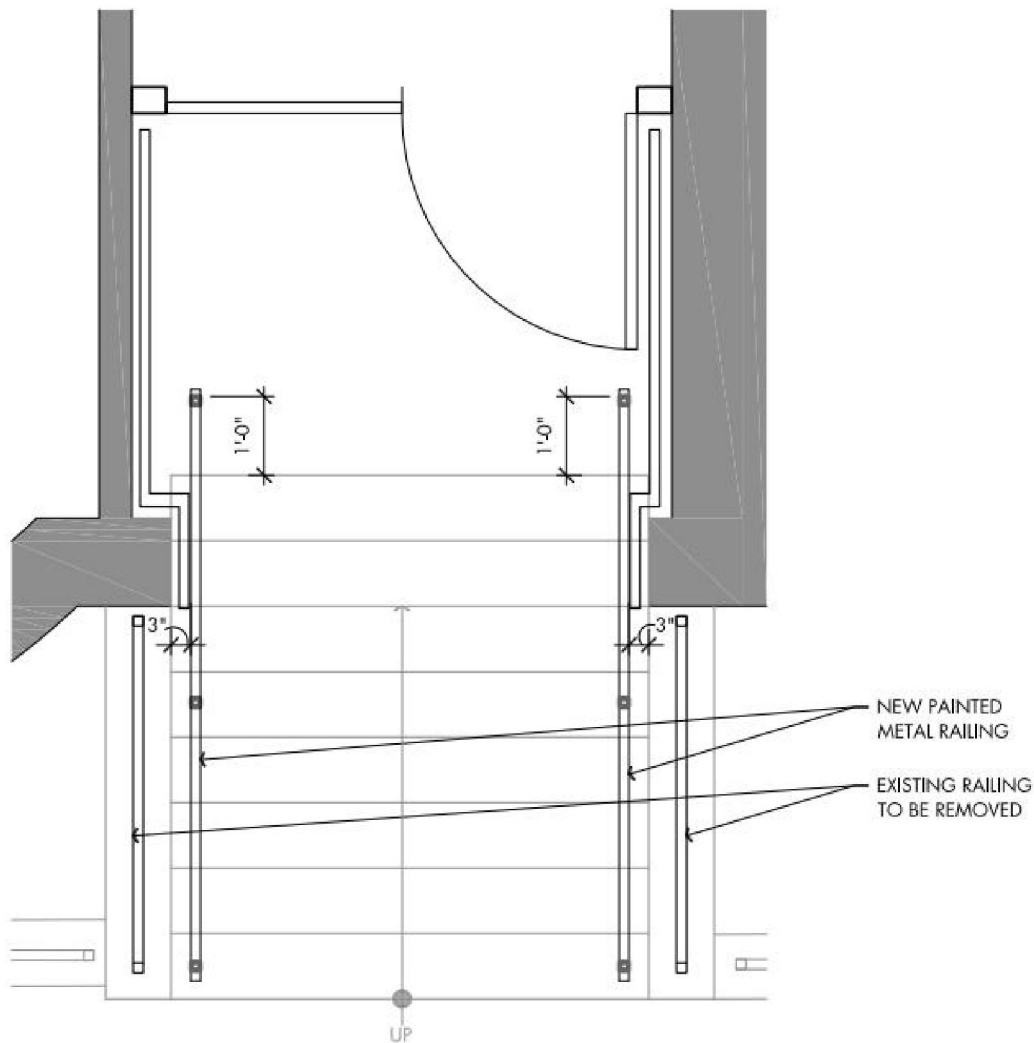


**DAVIS  
SQUARE  
ARCHITECTS**

240A Elm St  
Somerville, MA 02144  
617 628 5700  
www.davisquarearchitects.com

Project <b>WEST NEWTON RUTLAND APARTMENTS</b>		Sheet No.
Title <b>EXTERIOR FRONT RAILING DETAIL</b>	Drawing Reference <b>A300</b>	<b>SKA 40A [ASI-021]</b>
Scale <b>AS NOTED</b>	Date <b>03/10/2020</b>	
Project No. <b>16015</b>		

I:\SKA\SKA\16015-WNR\_SKA-40.dwg



**DAVIS  
SQUARE**  
ARCHITECTS

240A Elm St  
Somerville, MA 02144  
617 628 5700  
www.davisquarearchitects.com

Project  
**WEST NEWTON RUTLAND APARTMENTS**

Title  
**EXTERIOR FRONT RAILING - TYPICAL PLAN**

Scale  
**1/2" = 1'-0"**

Project No.  
**16015**

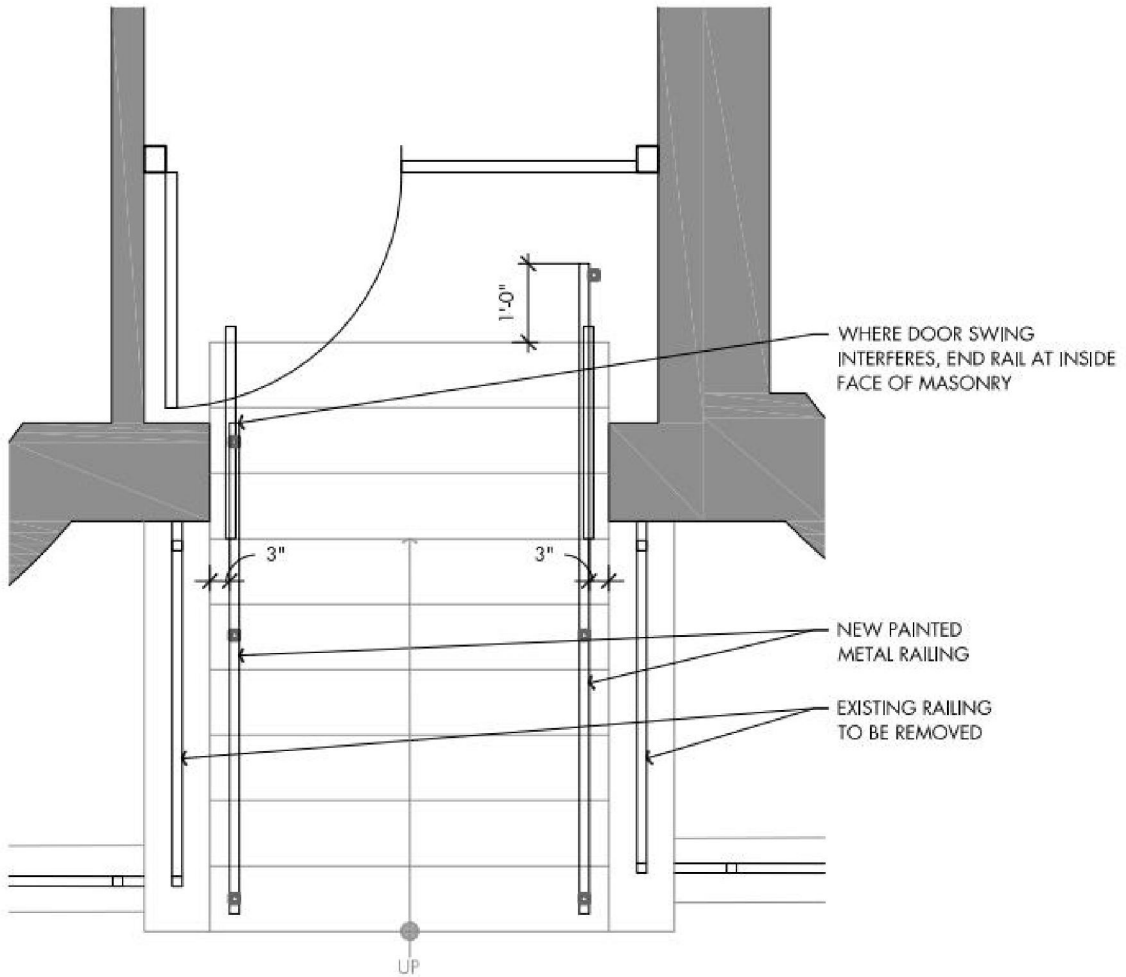
Drawing Reference

Date  
**03/10/2020**

Sheet No.

**SKA-  
40B**  
(ASI 021)

G:\SKA\SKA\16015-WNR\_SKA-40.dwg



**DAVIS  
SQUARE**  
ARCHITECTS

240A Elm St  
Somerville, MA 02144  
617 628 5700  
www.davisquarearchitects.com

Project  
**WEST NEWTON RUTLAND APARTMENTS**

Title  
**EXTERIOR FRONT RAILING - PLAN AT SHORT TOP LANDING**

Scale  
**1/2" = 1'-0"**

Project No.  
**16015**

Date  
**03/10/2020**

Sheet No.

**SKA-  
40C**  
(ASI 021)

G:\SKA\SKA\16015-WNR\_SKA-40.dwg



17. 82 West Newton Street



18. 84 West Newton Street