



PAINT ALL SHUTTERS  
BM ESSEX GREEN  
BLACK

PAINT WINDOW BOX  
& DOOR BM ESSEX  
GREEN BLACK

ALL METAL WORK TO  
REMAIN BLACK

PAINT DOOR TRIM BM  
LINEN WHITE

PAINT ALL WINDOW  
SASHES & TRIM BM  
LINEN WHITE

PAINT LEADED GLASS  
BM LINEN WHITE

REPLACE EXISTING FRONT DOOR IN  
KIND. PAINT BM LOUISBURG GREEN.  
REPLACE DOOR HARDWARE IN KIND  
WITH NON-LACQUERED BRASS

55 CHESTNUT STREET  
[IMAGE 1] CONTEXT IMAGE

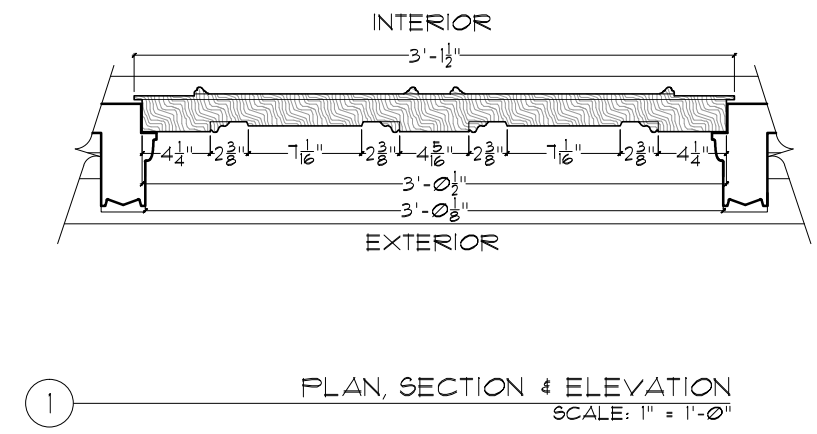
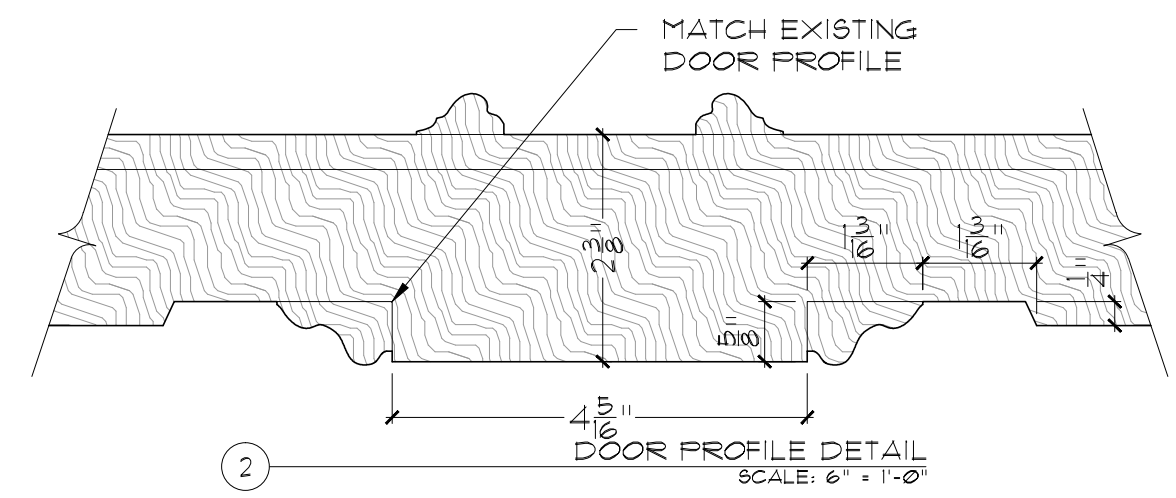
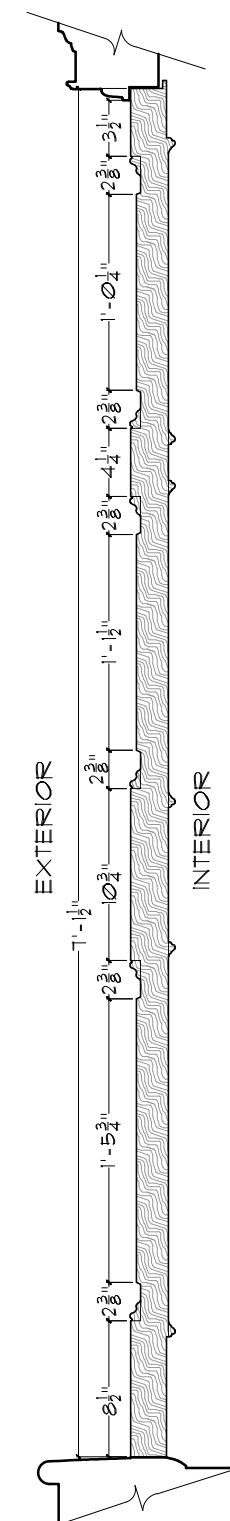
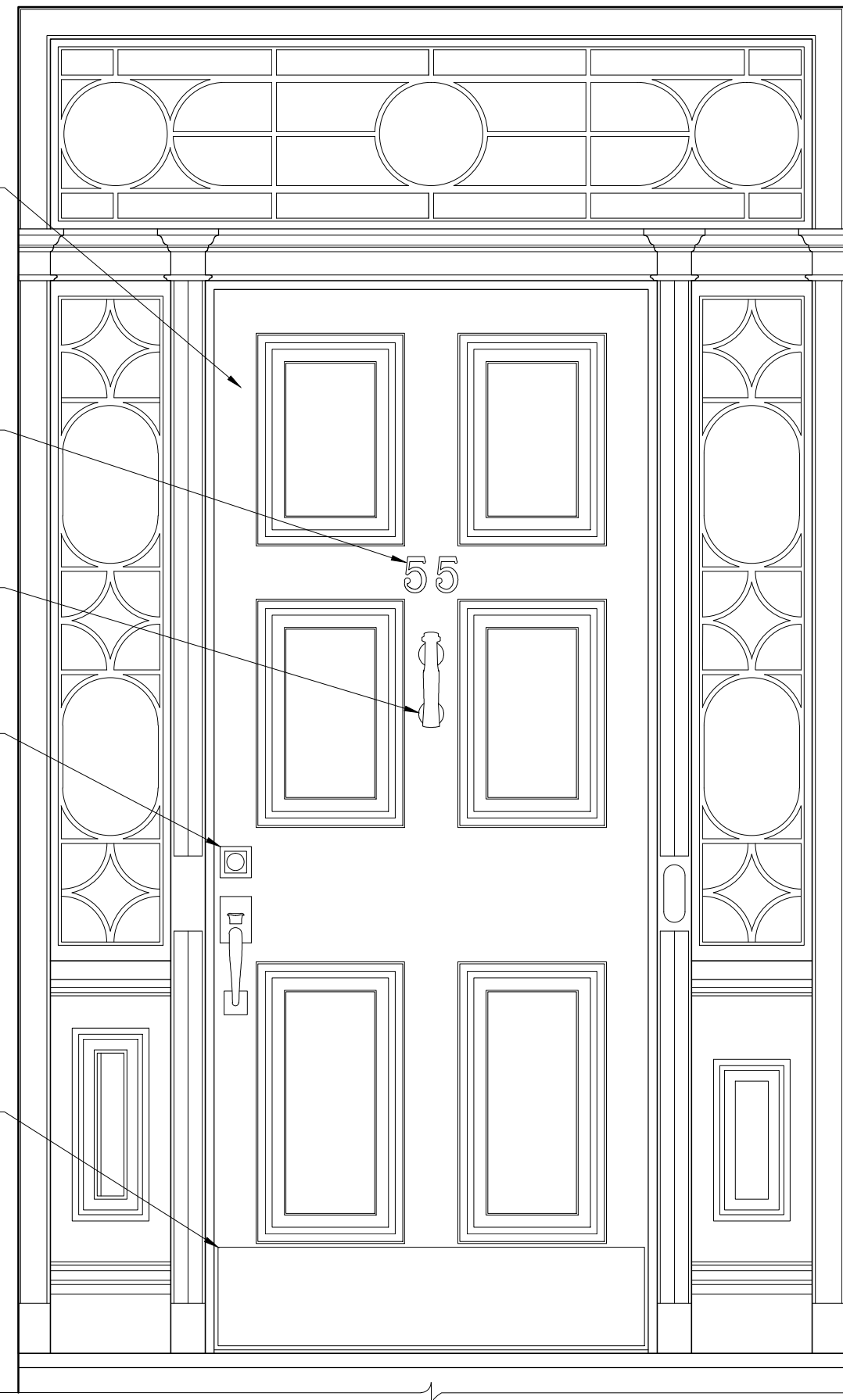
NEW SOLID MAHOGANY DOOR TO MATCH EXISTING DOOR DETAILS & DIMENSIONS. DOOR TO BE PAINTED BENJAMIN MOORE "LOUISBURG GREEN"

REPLACE HOUSE NUMBER IN KIND W/ NON-LACQUERED BRASS (BALDWIN HOUSE NUMBER 5 90675)

REPLACE KNOCKER IN KIND W/ NON-LACQUERED BRASS (BALDWIN 6 KNOCKER 0113)

REPLACE HARDWARE IN KIND W/ NON-LACQUERED BRASS (BALDWIN CONCORD 6571)

NON-LACQUERED BRASS KICK PLATE TO MATCH EXISTING



**PAULI & URIBE ARCHITECTS LLC**  
Classic Architecture Interior Design  
121 Mount Vernon Street  
Boston, Massachusetts, 02108  
617 227 0954 • www.pauli-uribe.com

**55 CHESTNUT STREET**  
BOSTON, MA 02108

SHEET TITLE: DOOR PLAN, ELEVATION, SECTION & PROFILE DETAILS	SHEET NO.  A-1
DATE: MARCH 11, 2019	
SCALE: AS NOTED	
DRAWN: JGUR & RJP	
CHECKED: JGUR & MZF	

linen white

PM-28

louisburg green

HC-113

~~essex green~~

~~PM-11~~



55 CHESTNUT STREET  
[IMAGE 2] FRONT DOOR EXTERIOR



**55 CHESTNUT STREET**  
**[IMAGE 3] FRONT DOOR INTERIOR**



55 CHESTNUT STREET  
[IMAGE 4] FRONT DOOR DETAIL



55 CHESTNUT STREET  
[IMAGE 5] FRONT DOOR DETAIL



55 CHESTNUT STREET  
[IMAGE 6] FRONT DOOR DETAIL





55 CHESTNUT STREET  
[IMAGE 7] LEADED GLASS



55 CHESTNUT STREET  
[IMAGE 8] METAL WORK



51 CHESTNUT STREET  
[IMAGE 9] SAMPLE IMAGE

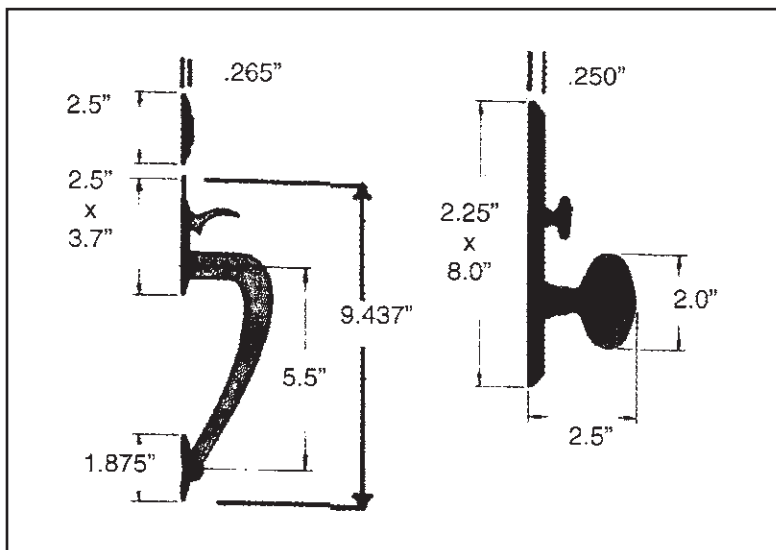
# BALDWIN®

## 6571 - CONCORD ESTATE HANDLESET

### SPECIFICATIONS



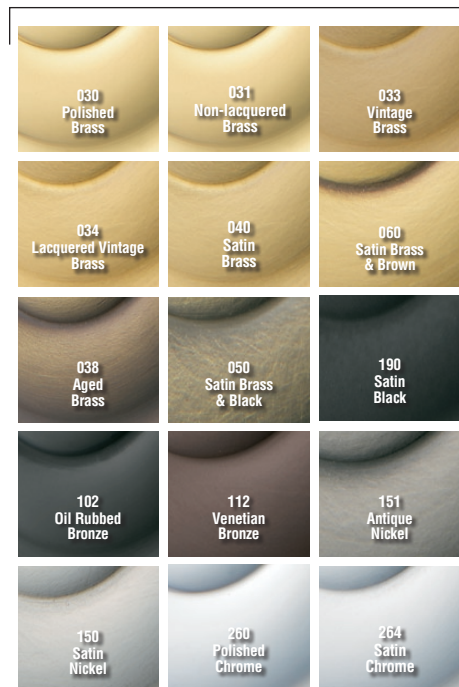
- > Certified by Underwriters Laboratories (UL) for use on fire doors up to three-hour rating
- > U L10C / UBC 7-2 (1997) Positive Pressure Rated, UL10B Pressure Rated
- > Material: Solid Forged Brass



SHOWN WITH KNOB 5000



### TIER 1 FINISHES



### TIER 2 FINISHES



[HOME](#) > [ESTATE ACCESSORIES](#) > [DOOR ACCESSORIES](#) > [HOUSE NUMBER - 5-001](#)

5


[CLICK IMAGE TO ZOOM](#)
[ENLARGE IMAGE](#)

## HOUSE NUMBER - 5

Model #: 90875.001

★★★★★ 5.0 (1) [Write a review](#) [Ask a question](#)

AVAILABLE FINISHES:

SELECTED: NON-LACQUERED BRASS


[WHERE TO BUY](#)
[ADD TO WISH LIST](#)
[HOME](#) > [ESTATE ACCESSORIES](#) > [DOOR ACCESSORIES](#) > ["S" KNOCKER-001](#)

"S"


[CLICK IMAGE TO ZOOM](#)
[ENLARGE IMAGE](#)

## "S" KNOCKER

Model #: 0113.001

★★★★★ [Write a review](#) [Ask a question](#)

AVAILABLE FINISHES:

SELECTED: NON-LACQUERED BRASS


[WHERE TO BUY](#)
[ADD TO WISH LIST](#)